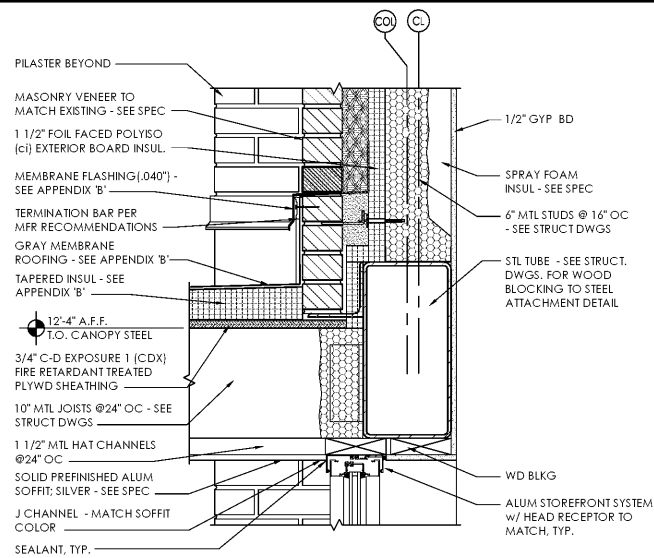
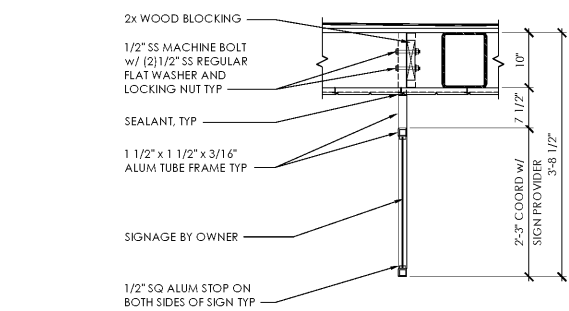


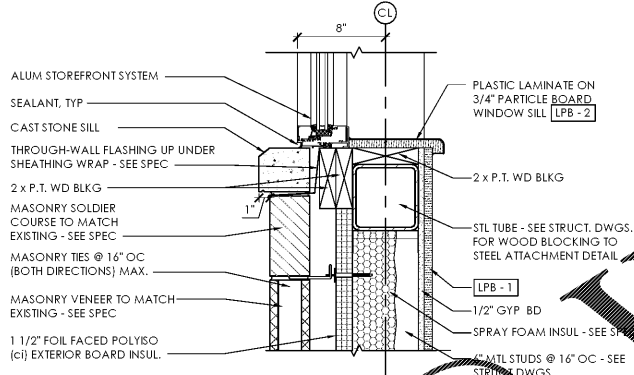
**D3** Exterior Plan Detail - Logo Sign Attachment  
SCALE: 3\"/>



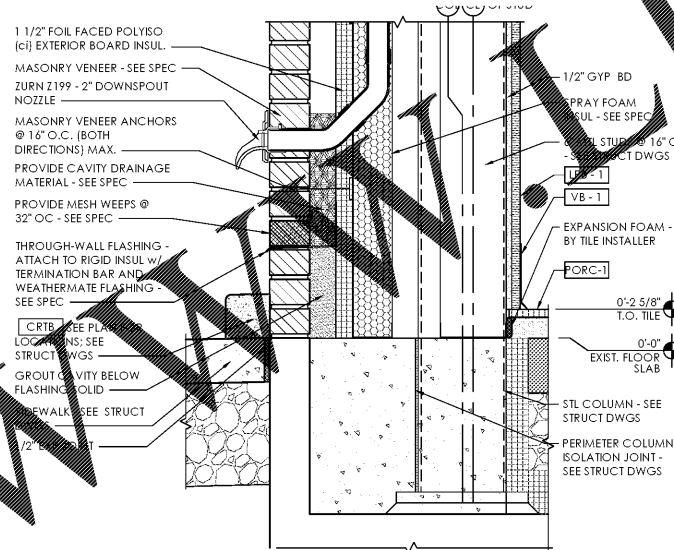
**C3** Canopy to Building Transition Detail  
SCALE: 1 1/2\"/>



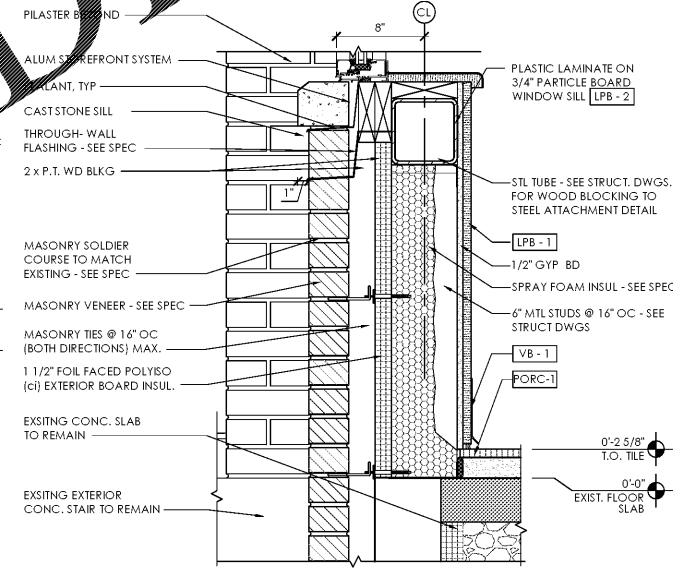
**D2** Quarter Cart Sign Frame  
SCALE: 3/4\"/>



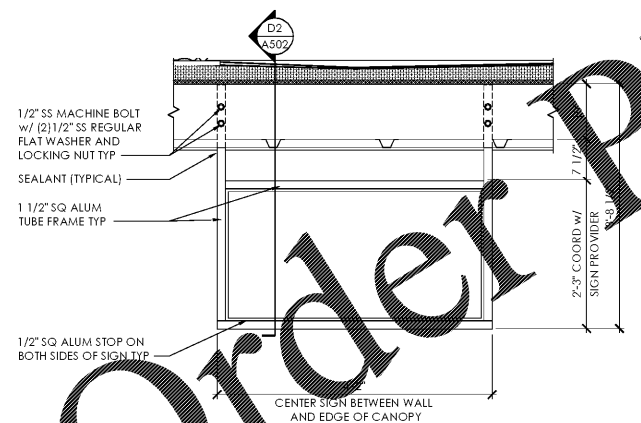
**C2** Exterior Sill Detail  
SCALE: 1-1/2\"/>



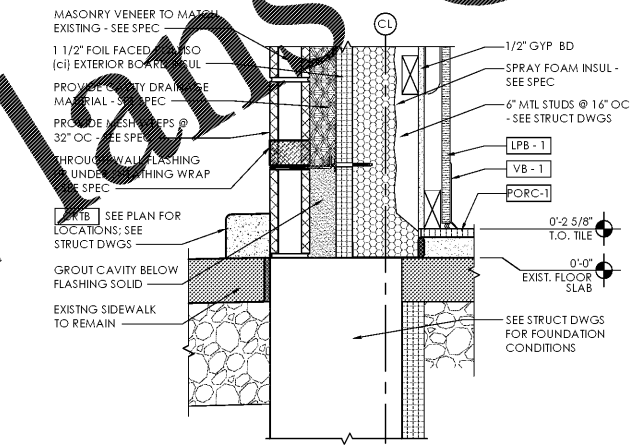
**B2** Exterior Base Detail  
SCALE: 1-1/2\"/>



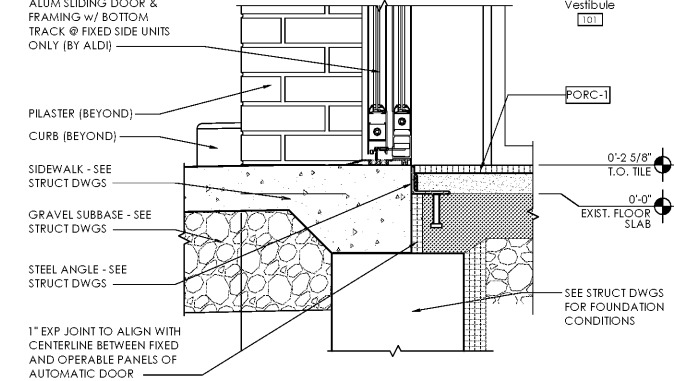
**A2** Exterior Sill Detail  
SCALE: 1 1/2\"/>



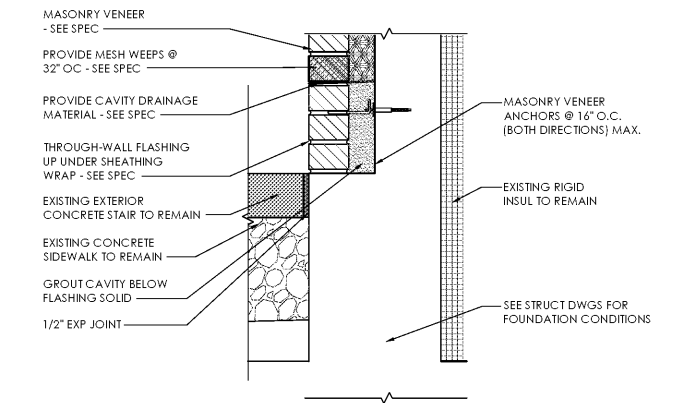
**D1** Quarter Cart Sign Frame  
SCALE: 3/4\"/>



**C1** Exterior Base Detail  
SCALE: 1-1/2\"/>



**B1** Exterior Threshold Detail  
SCALE: 1-1/2\"/>



**A1** Exterior Base Detail  
SCALE: 1-1/2\"/>

**NOTE:**  
ALL WOOD BLOCKING AND SHEATHING TO BE FRP PER TYPE IIB CONSTRUCTION

Issued:	Date:
A Client Review Set	02/15/19
B Bid Set	03/08/19
C	
D	
Revisions:	Date:
1	
2	
3	
4	
5	
6	
7	
8	

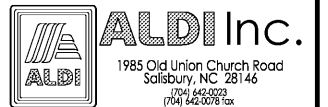
**DO NOT SCALE PLANS**  
Copying, Printing, Software and other processes required to produce these prints can stretch or shrink the actual paper or layout. Therefore, scaling of this drawing may be inaccurate. Contact us consultants with any need for additional dimensions or clarifications.

**ms consultants, inc.**  
engineers, architects, planners  
920 Main Campus Drive  
Suite 430  
Raleigh, NC 27606-5213  
(919)-772-5565  
fax: (919)-779-2308

DRAWN BY: MEM/BMT

REVIEWED BY: NAL/CMB

Seal



**ALDI Inc.** Store #: 59  
Cary, NC  
1315 Kildaire Farm Rd  
Cary, NC 27511  
Wake County  
Project Name & Location:

**Exterior Details**

Drawing Name:	Project No.
Prototype Rls.	40452-25
Type: v7.1	
	A-502
Scale: As Noted	Drawing No.