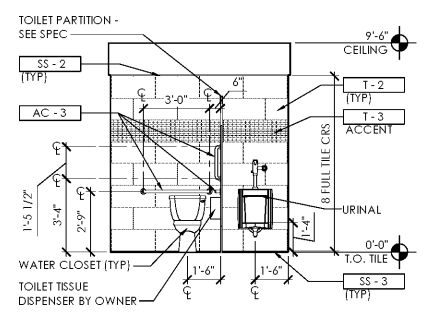
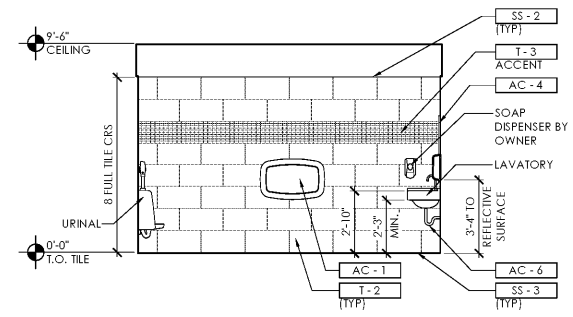


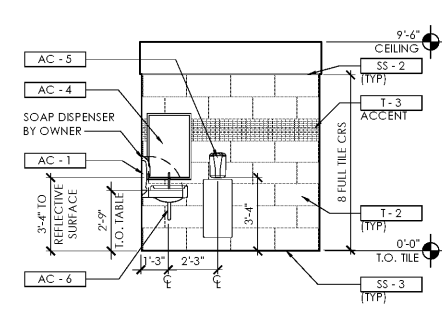
NOTE:
REFER TO DRAWING A-603
FOR ALL FINISH CALL-OUTS



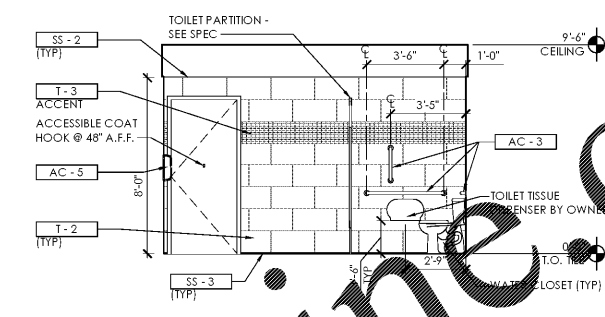
D3 Men's Lav. #105
SCALE: 1/4" = 1'-0"



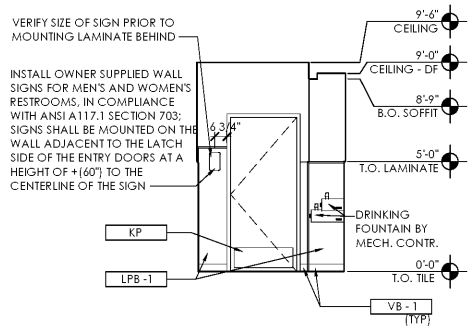
C3 Men's Lav. #105
SCALE: 1/4" = 1'-0"



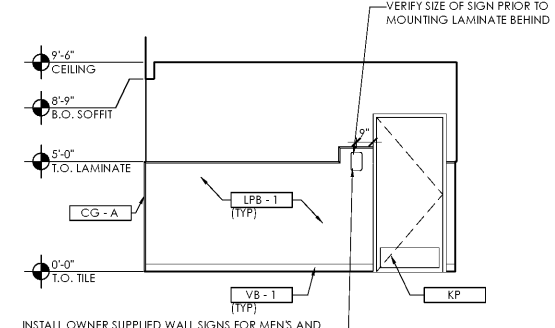
B3 Men's Lav. #105
SCALE: 1/4" = 1'-0"



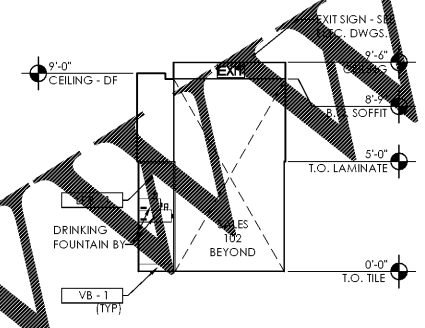
A3 Men's Lav. #105
SCALE: 1/4" = 1'-0"



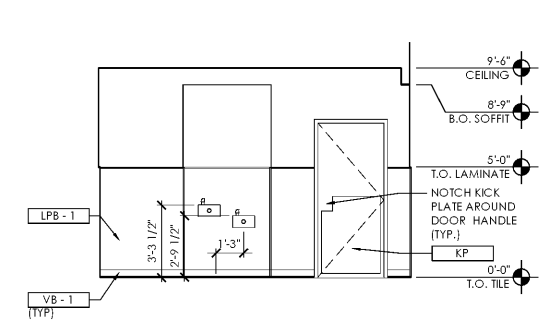
D2 Hallway #104
SCALE: 1/4" = 1'-0"



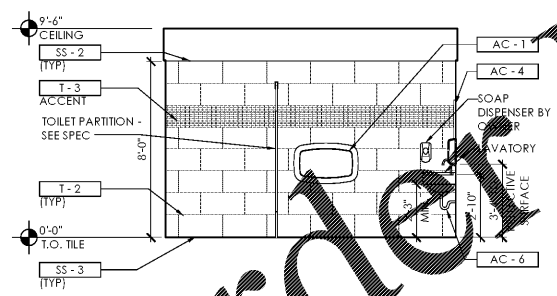
C2 Hallway #104
SCALE: 1/4" = 1'-0"



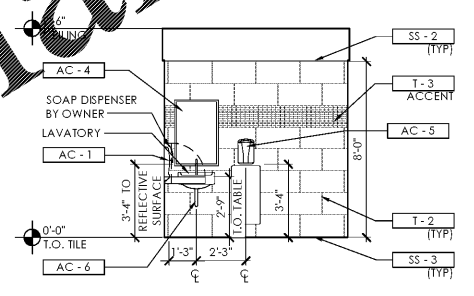
B2 Hallway #104
SCALE: 1/4" = 1'-0"



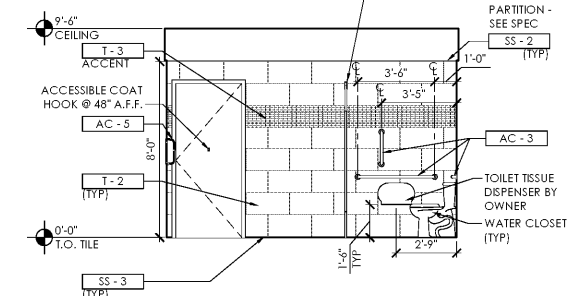
A2 Hallway #104
SCALE: 1/4" = 1'-0"



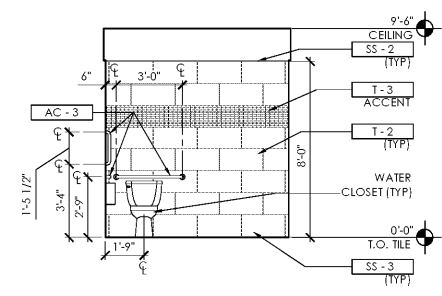
D1 Women's Lav. #103
SCALE: 1/4" = 1'-0"



C1 Women's Lav. #103
SCALE: 1/4" = 1'-0"



B1 Women's Lav. #103
SCALE: 1/4" = 1'-0"



A1 Women's Lav. #103
SCALE: 1/4" = 1'-0"

Issued:	Date:
A Client Review Set	02/15/19
B Bid Set	03/08/19
C	
D	
Revisions:	Date:
1	
2	
3	
4	
5	
6	
7	
8	

DO NOT SCALE PLANS
Copying, Printing, Software and other processes required to produce these prints can stretch or shrink the actual paper or layout. Therefore, scaling of this drawing may be inaccurate. Contact us consultants with any need for additional dimensions or clarifications.

ms consultants, inc.
engineers, architects, planners
920 Main Campus Drive
Suite 430
Raleigh, NC 27606-5213
(919)-772-5565
fax: (919)-779-2308

DRAWN BY: MEM/BMT

REVIEWED BY: NAL/CMB

Seal

ALDI Inc.
1985 Old Union Church Road
Salisbury, NC 28146
(704) 642-0023
(704) 642-0076 fax

ALDI Inc. Store #: 59
Cary, NC
1315 Kildaire Farm Rd
Cary, NC 27511
Wake County
Project Name & Location:

Interior Elevations Drawing Name:	
Prototype Rls.	Project No.
	40452-25
Type: V7.1	
	A-215
Scale: As Noted	Drawing No.