

Issued:	Date:
A Client Review Set	02/15/19
B Bid Set	03/08/19
C	
D	
Revisions:	Date:
1	
2	
3	
4	
5	
6	
7	
8	

**DO NOT SCALE PLANS**  
 Copying, Printing, Software and other processes required to produce these prints can stretch or shrink the actual paper or layout. Therefore, scaling of this drawing may be inaccurate. Contact us consultants with any need for additional dimensions or clarifications.

**ms consultants, inc.**  
 engineers, architects, planners  
 920 Main Campus Drive  
 Suite 430  
 Raleigh, NC 27606-5213  
 (919)-772-5565  
 fax: (919)-779-2308

DRAWN BY: JLH

REVIEWED BY: C.JH

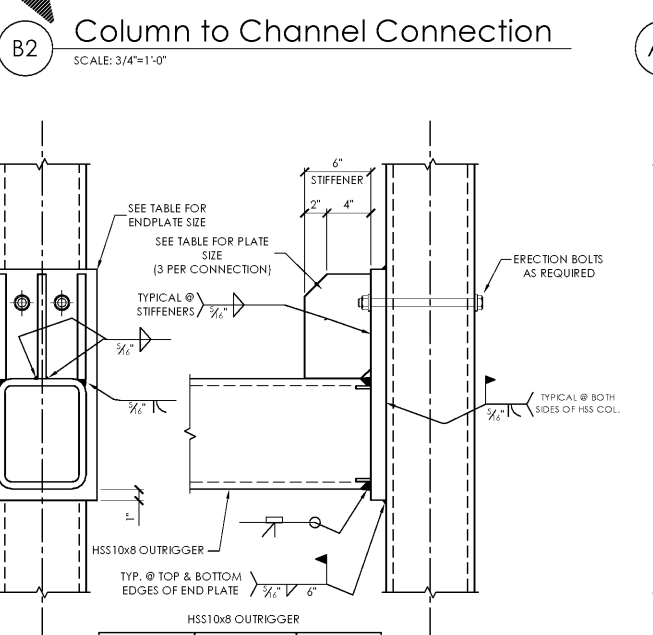
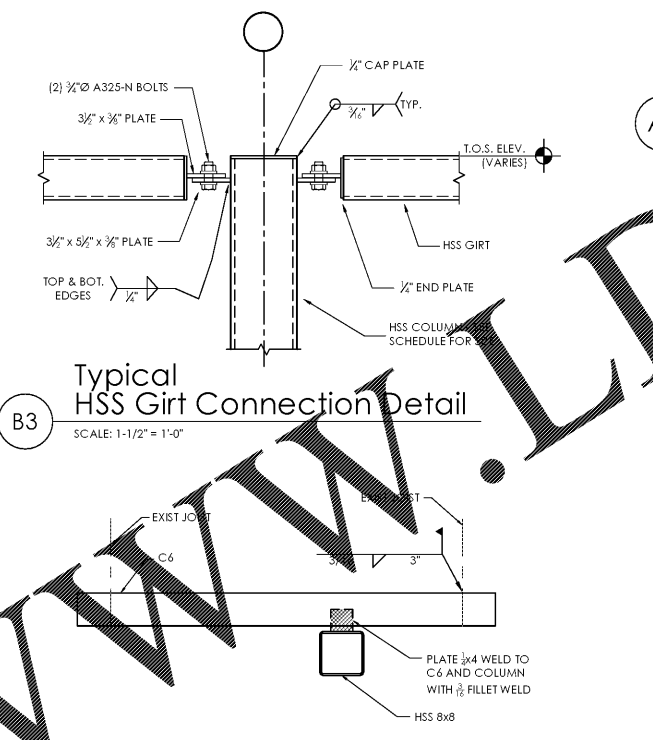
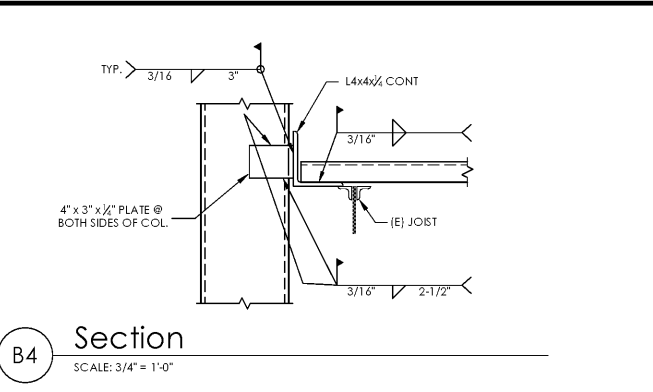
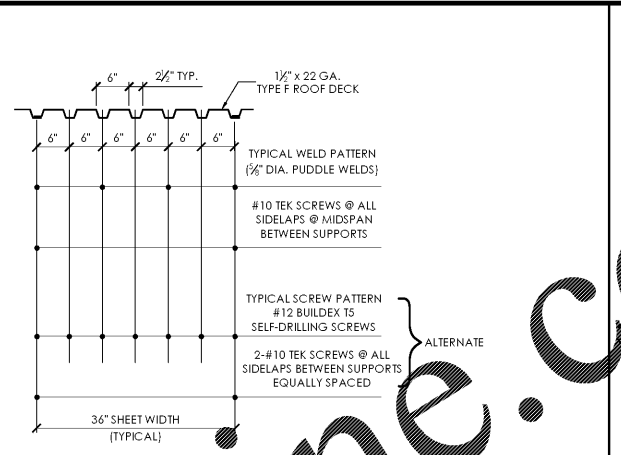
Seal

PROFESSIONAL OF RECORD:  
 CRAIG E. METZGER No. 044723

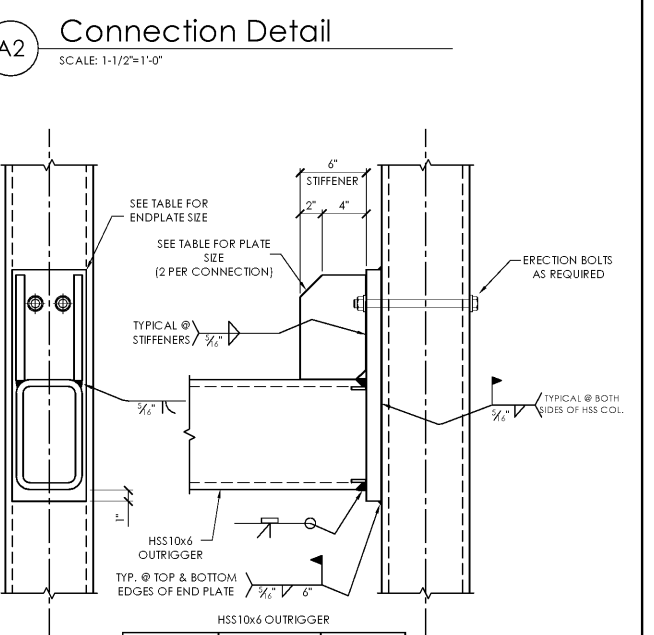
**ALDI Inc.**  
 1985 Old Union Church Road  
 Salisbury, NC 28146  
 (704) 642-0023  
 (704) 642-0079 fax

ALDI Inc. Store #: 59  
 Cary, NC  
 1315 Kildaire Farm Rd  
 Cary, NC 27511  
 Wake County  
 Project Name & Location:

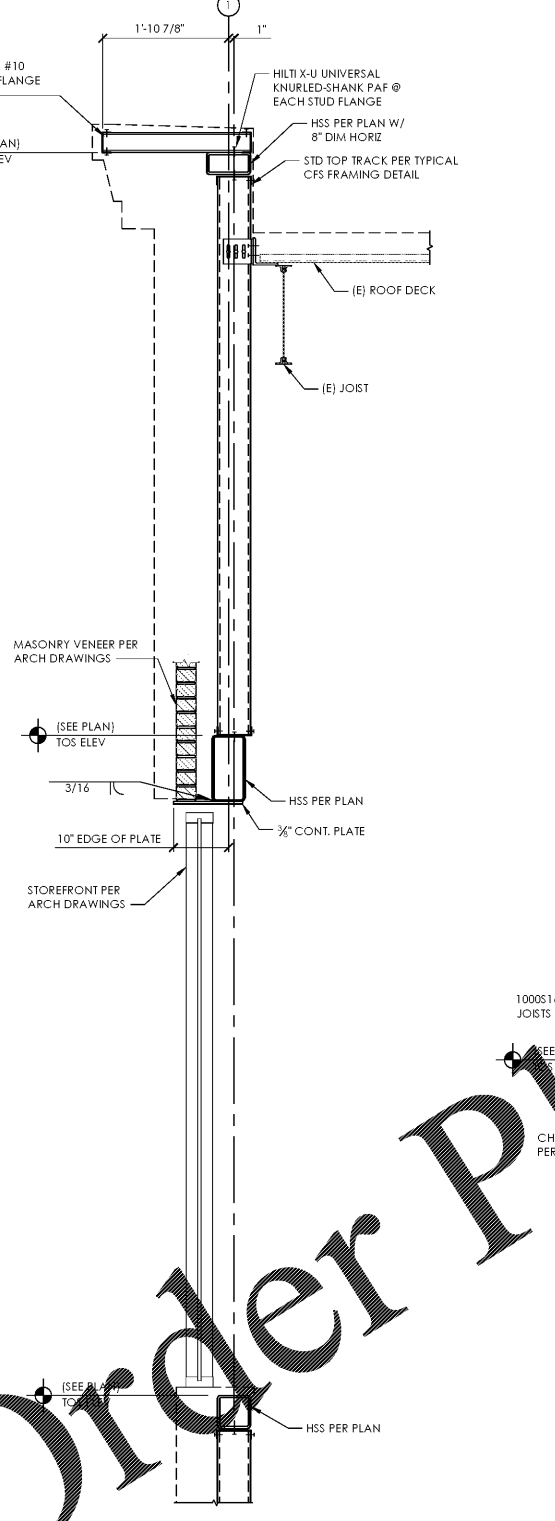
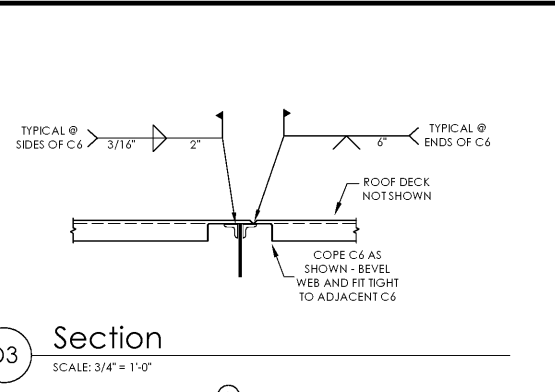
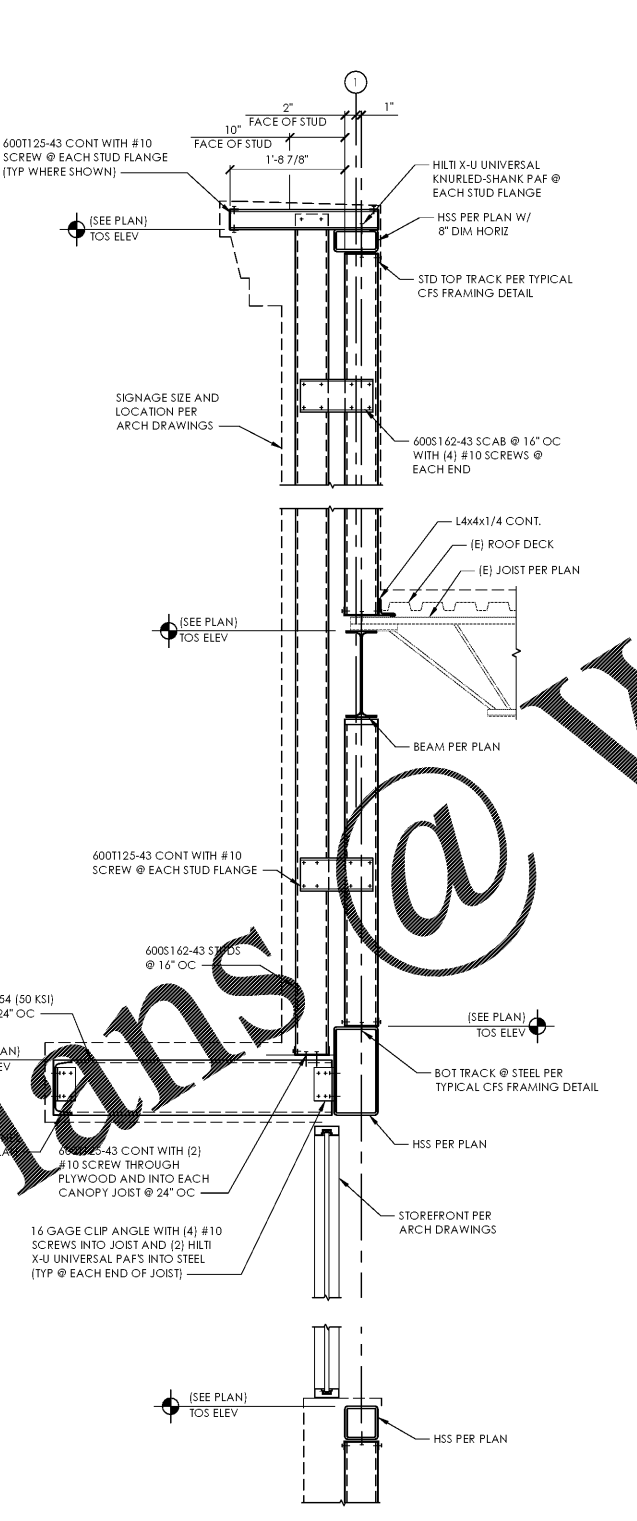
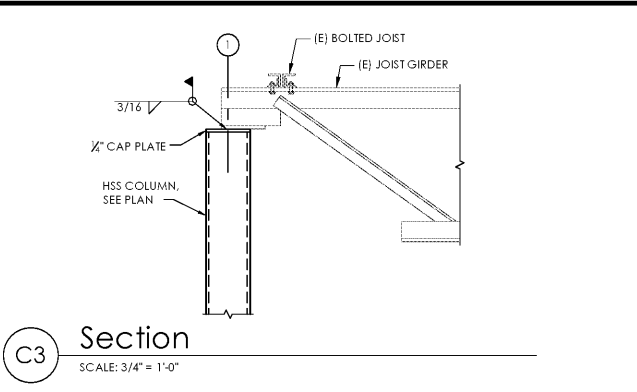
**Framing Details**  
 Drawing Name:  
 Prototype Rls. Project No.  
 40452-25  
 Type: v7.1  
 S-402  
 Scale: As Noted Drawing No.



OUTRIGGER SIZE	ENDPLATE DIMENSIONS	STIFFENER DIMENSIONS
HSS 10 x 8 x 3/4"	21" x 10" x 1 3/8"	9 1/2" x 6" x 1/2"
HSS 10 x 8 x 1/2"	19" x 10" x 1 1/4"	7 1/2" x 6" x 1/2"
HSS 10 x 8 x 3/8"	18" x 10" x 1 1/4"	6 1/2" x 6" x 1/2"
HSS 10 x 8 x 1/4"	20 1/2" x 10" x 1 1/4"	4" x 8 1/2" x 1/2"



OUTRIGGER SIZE	ENDPLATE DIMENSIONS	STIFFENER DIMENSIONS
HSS 10 x 6 x 3/4"	24" x 6 1/2" x 1 1/2"	12 1/2" x 6" x 1"
HSS 10 x 6 x 1/2"	21" x 6 1/2" x 1 1/2"	9 1/2" x 6" x 1/2"
HSS 10 x 6 x 3/8"	19" x 6 1/2" x 1 1/2"	7 1/2" x 6" x 1/2"
HSS 10 x 6 x 1/4"	19" x 6 1/2" x 1 1/2"	7 1/2" x 6" x 1/2"



Plot Date: 3/7/2019

Order Plans @