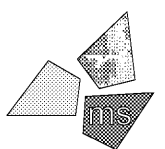


Issued:	Date:
A Client Review Set	02/15/19
B Bid Set	03/08/19
C	
D	
Revisions:	Date:
1	
2	
3	
4	
5	
6	
7	
8	

DO NOT SCALE PLANS
 Copying, Printing, Software and other processes required to produce these prints can stretch or shrink the actual paper or layout. Therefore, scaling of this drawing may be inaccurate. Contact us consultants with any need for additional dimensions or clarifications.



ms consultants, inc.
 engineers, architects, planners
 920 Main Campus Drive
 Suite 430
 Raleigh, NC 27606-5213
 (919)-772-5565
 fax: (919)-779-2308

DRAWN BY: JLH

REVIEWED BY: C.JH

Seal

2

Seal

2

Seal

2

Seal

2

Seal

2

Seal

2

Seal

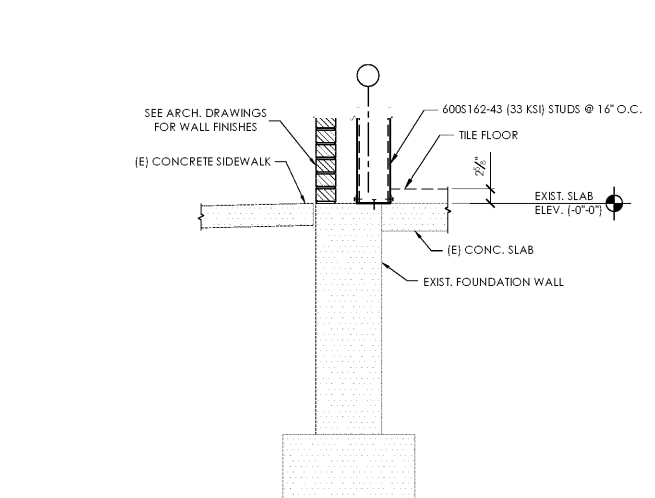
2

Seal

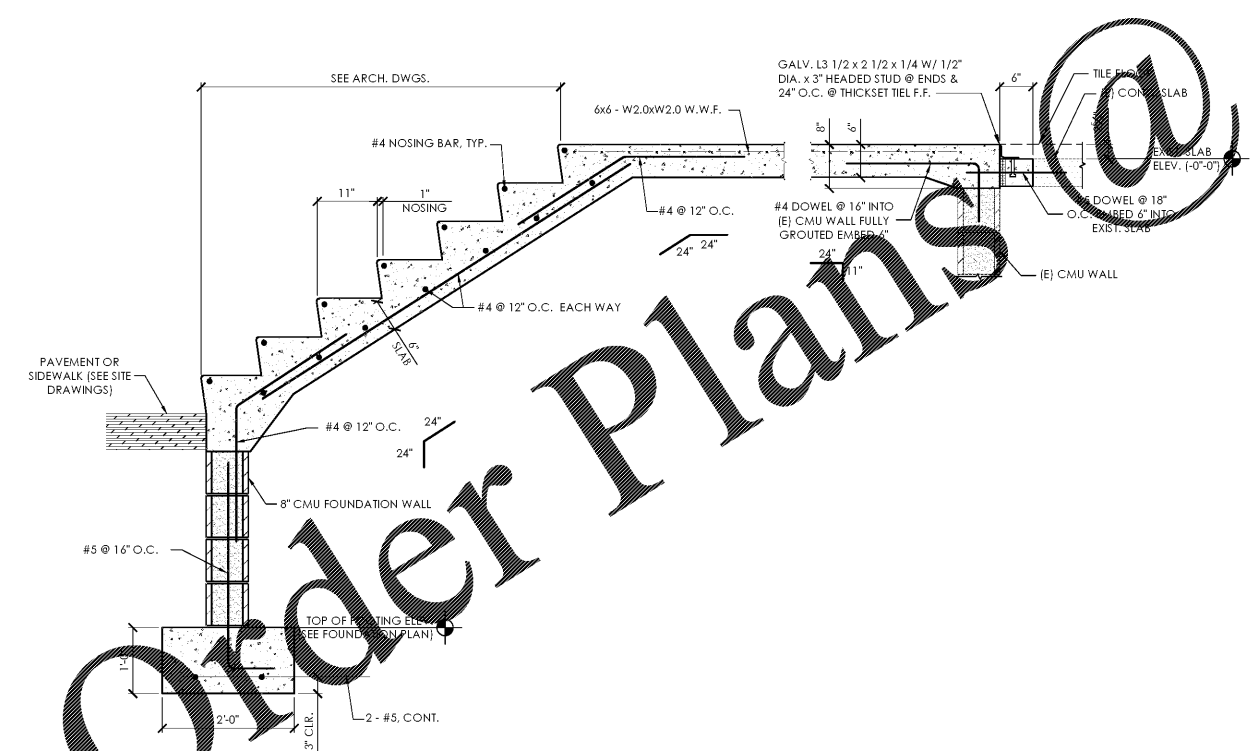
2

Seal

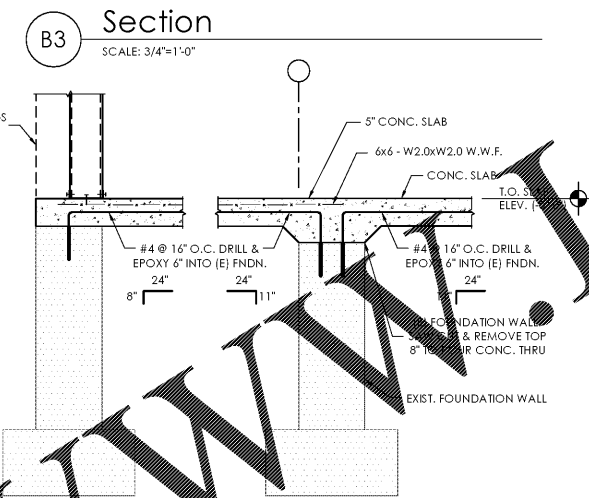
2



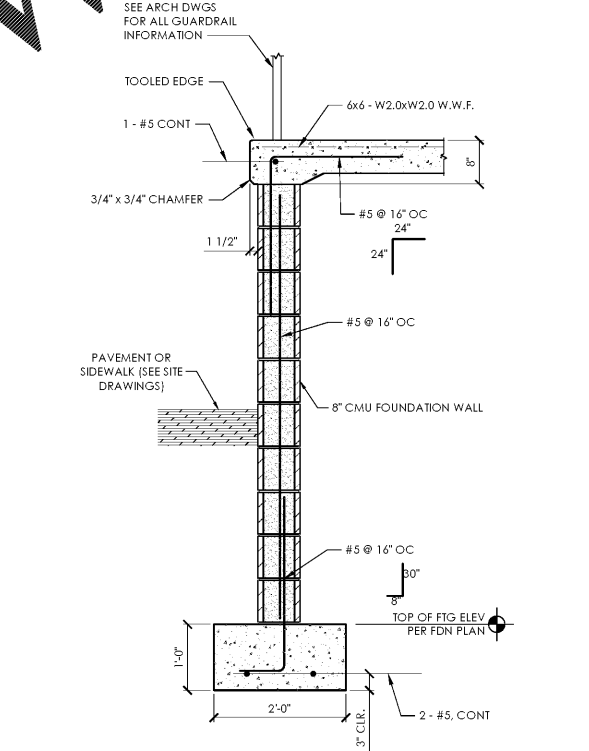
D2 Section
 SCALE: 3/4"=1'-0"



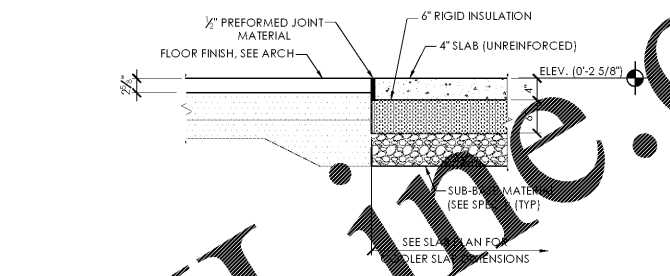
D1 Section
 SCALE: 3/4"=1'-0"



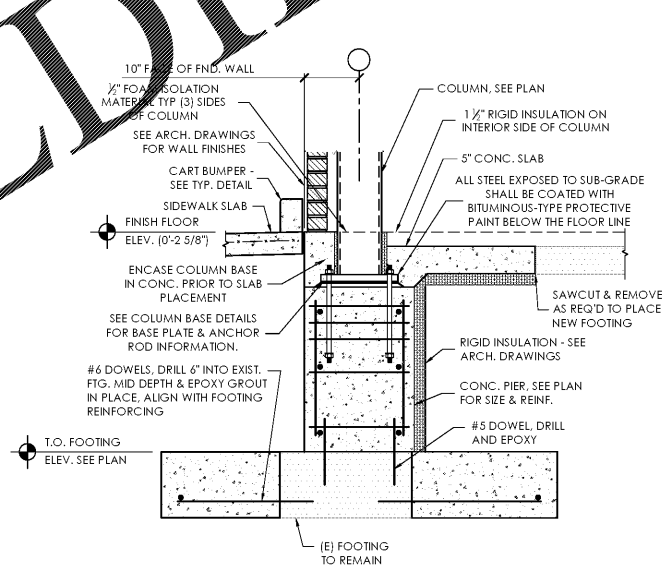
B2 Section
 SCALE: 3/4"=1'-0"



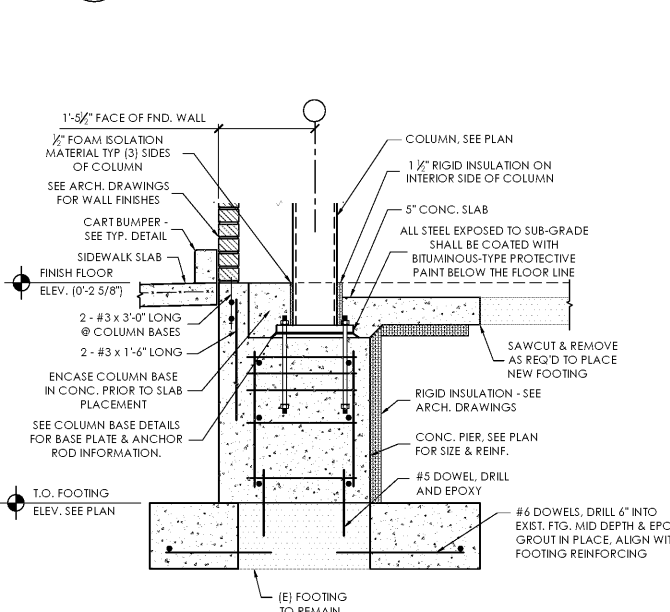
B1 Section
 SCALE: 3/4"=1'-0"



A3 Section
 SCALE: 3/4"=1'-0"



A2 Section
 SCALE: 3/4"=1'-0"



A1 Section
 SCALE: 3/4"=1'-0"

Plot Date: 3/7/2019

Order Plans @

WWW.LDLINE.COM

Drawing Name:	
Prototype Rls.	Project No.
Type: V7.1	40452-25
S-302	
Scale: As Noted	Drawing No.