

PROJECT: FIVE GUYS BURGERS & FRIES
 630 CRANE CREEK DRIVE
 AUGUSTA, GA, 30907
 DRAWING: ELECTRICAL ROOF PLAN

PROJECT: FIVE GUYS BURGERS & FRIES
 630 CRANE CREEK DRIVE
 AUGUSTA, GA, 30907
 DRAWING: ELECTRICAL ROOF PLAN

PROJECT: FIVE GUYS BURGERS & FRIES
 630 CRANE CREEK DRIVE
 AUGUSTA, GA, 30907
 DRAWING: ELECTRICAL ROOF PLAN

PROJECT: FIVE GUYS BURGERS & FRIES
 630 CRANE CREEK DRIVE
 AUGUSTA, GA, 30907
 DRAWING: ELECTRICAL ROOF PLAN

PROJECT: FIVE GUYS BURGERS & FRIES
 630 CRANE CREEK DRIVE
 AUGUSTA, GA, 30907
 DRAWING: ELECTRICAL ROOF PLAN

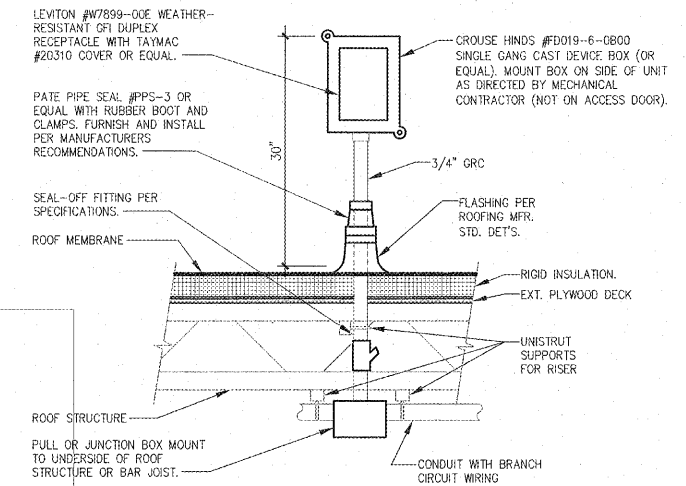
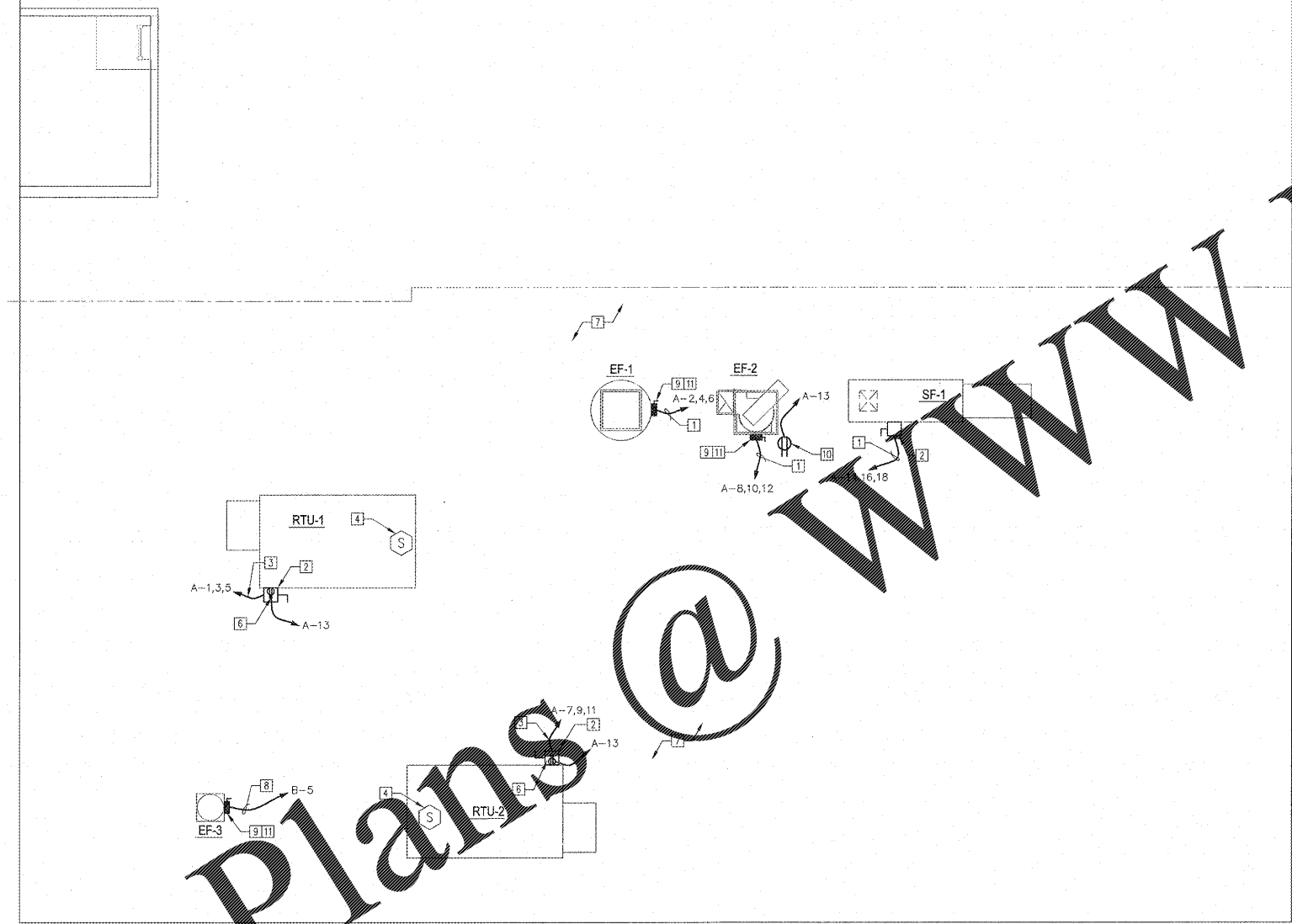
PROJECT: FIVE GUYS BURGERS & FRIES
 630 CRANE CREEK DRIVE
 AUGUSTA, GA, 30907
 DRAWING: ELECTRICAL ROOF PLAN

CONSTRUCTION NOTES

1. CIRCUIT SHALL BE ROUTED THROUGH THE PRE-WIRE SECTION OF THE HOOD CONTROL PANEL. SEE MECHANICAL "M" SHEETS AND HOOD "H" SHEETS. COORDINATE W/ M.C. FANS ARE VFD CONTROLLED VIA PRE-WIRE SECTION.
2. NEMA 3R SAFETY DISCONNECT SWITCHES ARE FACTORY INSTALLED IN ALL RTU'S AND PROVIDED WITH FANS. E.C. SHALL ROUTE CIRCUITS TO DISCONNECT SWITCH VIA BOTTOM ENTRY OF CURB ON ROOF EQUIPMENT. COORDINATE W/M.C. AND G.C. COORDINATE W/ M.C.
3. CIRCUIT SHALL BE CONTROLLED VIA THERMOSTATS, SEE MECHANICAL "M" COORDINATE W/ M.C.
4. SUPPLY 120 VOLT POWER TO DUCT SMOKE DETECTORS (FURNISHED BY MECHANICAL, INSTALLED AND WIRED BY ELECTRICAL). CONDUIT WITH HVAC CONTROL SYSTEM SUCH THAT ACTIVATION OF SMOKE DETECTOR WILL SHUT DOWN SUPPLY FAN. VERIFY WIRING FOR PROPER OPERATION.
5. NOT USED.
6. WR/GFI RECEPTACLE IS FACTORY INSTALLED. E.C. SHALL ROUTE ALL CIRCUITS TO RECEPTACLE VIA BOTTOM ENTRY IN CURB.
7. ALL ELECTRICAL CONDUITS PENETRATING ROOF SHALL GO THROUGH PITCH POCKETS INSTALLED BY G.C. E.C. & G.C. SHALL COORDINATE. INSTALL PER ROOFING MANUFACTURER'S RECOMMENDATIONS AND DETAILS.
8. RESTROOM LIGHTS TO BE INTERLOCKED WITH LIGHT SWITCHES IN BOTH RESTROOMS SUCH THAT LIGHTS WILL TURN OFF WHEN EITHER RESTROOM IS OCCUPIED.
9. E.C. SHALL INSTALL DISCONNECT SWITCH FURNISHED WITH FAN BY HOOD CONTROL PANEL. VERIFY SWITCH IS WP/NEMA-3R RATED FOR EXTERIOR USE.
10. E.C. SHALL PROVIDE A WEATHER PROOF GFCI SERVICE RECEPTACLE IN AN "IN THE WALL" WEATHER PROOF ENCLOSURE. SEE DETAIL 2/E301, THIS SHEET.
11. E.C. SHALL PROVIDE AND INSTALL NEMA-3R DISCONNECT IF NOT SUPPLIED WITH EQUIPMENT.

GENERAL NOTES:

1. DISCONNECTS AT ALL MECHANICAL EQUIPMENT FURNISHED WITH EQUIPMENT.
2. ELECTRICAL CONTRACTOR IS RESPONSIBLE FOR ALL LINE VOLTAGE ELECTRICAL WORK SHOWN ON THE MECHANICAL DRAWINGS.
3. ROUTE ALL CONDUITS CONCEALED (INSIDE WALLS AND/OR ABOVE CEILING) WHERE POSSIBLE.
4. SEE MECHANICAL & PLUMBING ROOF PLANS FOR ADDITIONAL ROOF INFORMATION.
5. ALL ELECTRICAL CONDUITS PENETRATING THE ROOF SHALL GO THROUGH ROOF CONDUIT CURB INSTALLED BY GENERAL CONTRACTOR & ROOFING CONTRACTOR; E.C. SHALL COORDINATE. INSTALL PER ROOFING MANUFACTURER'S RECOMMENDATIONS AND DETAILS.
6. ALL CONDUITS FOR ROOF TOP EQUIPMENT SHALL BE RUN BELOW ROOF DECK TO ELIMINATE TRIPPING HAZARDS AND AVOID DERATING CONDUCTORS FOR SOLAR HEATING. NEC 310.15(B)(5)(c).



1 ELECTRICAL ROOF PLAN
 SCALE: 1/4" = 1'-0"

2 ROOF TOP RECEPTACLE DETAIL
 SCALE: N.T.S.

Order Plans @ www.LDilino.com