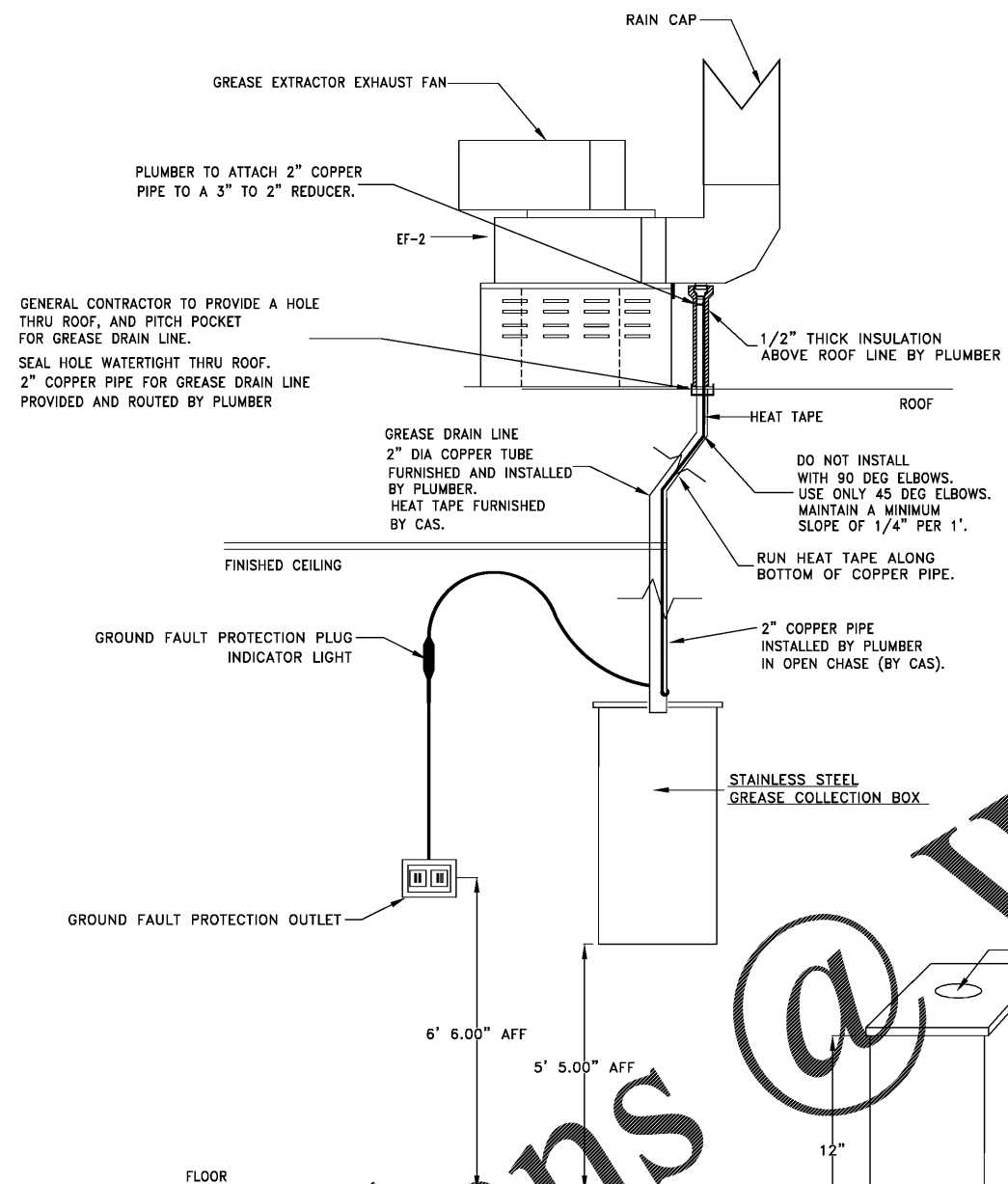
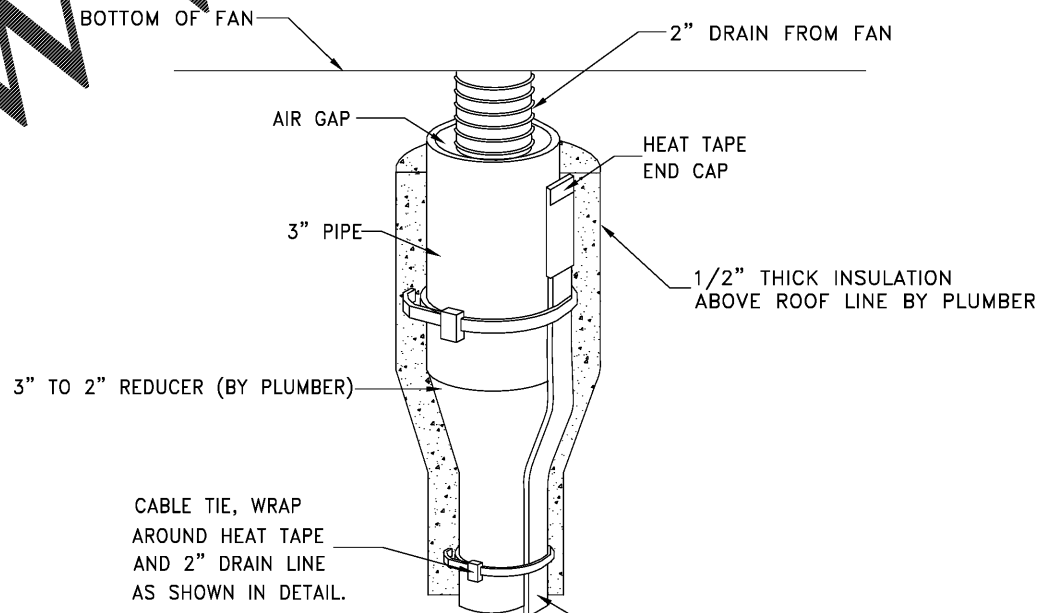


# DRAIN LINE HEATER INSTALLATION DETAIL



	INSTALLATION PROCEDURE:	TRADE RESPONSIBLE
1.	THE HEAT TAPE ASSEMBLY IS SHIPPED LOOSE FROM THE EXHAUST FAN.	CAS
2.	THE GENERAL CONTRACTOR IS TO PROVIDE HOLE IN ROOF AND SEAL THE HOLE (SEE DIAGRAM).	GENERAL CONTRACTOR
3.	INSTALL THE COPPER GREASE LINE DRAIN PIPE, SUPPLIED BY THE PLUMBER.	PLUMBER / ELECTRICIAN
4.	REMOVE (AND SAVE) THE END CAP AND GROUND FAULT PLUG. (GIVE PARTS TO ELECTRICIAN)	PLUMBER
5.	ROUTE THE HEAT TAPE ON THE OUTSIDE OF THE COPPER TUBE.	PLUMBER
6.	SECURE HEAT TAPE AND END CAP TO DRAIN USING CABLE TIE AS SHOWN IN END DETAIL.	PLUMBER
7.	INSULATE COPPER DRAIN LINE ABOVE THE ROOF LINE.	PLUMBER
8.	THE ELECTRICIAN IS TO SUPPLY GROUND FAULT PROTECTION OUTLET LOCATED NEAR GREASE COLLECTION BOX (15 AMP, 120 VOLT CIRCUIT) THE POWER SOURCE SHOULD BE A SEPERATE CIRCUIT. THE HEAT TAPE IS TO BE PROTECTED BY G.F.C.I. CIRCUIT BREAKER. THE HEAT TAPE STAYS ON ALL THE TIME, AND IS NOT CONTROLLED BY THE FAN ON-OFF SWITCH.	ELECTRICIAN
9.	PLUMBER TO MOUNT GREASE COLLECTION BOX ON THE WALL IN PREP AREA. GREASE COLLECTION BOX PROVIDED BY CAS.	PLUMBER
10.	ELECTRICIAN TO MAKE FINAL CONNECTION BETWEEN GROUND FAULT PLUG AND HEAT TAPE. GROUND FAULT PLUG PROVIDED BY CAS.	ELECTRICIAN
11.	ELECTRICIAN TO MAKE FINAL CONNECTION BETWEEN END CAP AND HEAT TAPE (ON ROOF). END CAP PROVIDED BY CAS.	ELECTRICIAN



**IT IS THE RESPONSIBILITY OF THE CONTRACTOR TO DETERMINE IF THE GREASE DRAIN SYSTEM IS ACCEPTABLE TO LOCAL CODE AUTHORITIES**

THIS DRAWING IS PROVIDED FOR REFERENCE ONLY. HOOD CONTRACTOR SHALL SELECT AND CERTIFY ALL EXHAUST A.U. AIR FANS. ALL SYSTEMS SHALL MEET ALL APPLICABLE REQUIREMENTS OF STATE AND LOCAL CODES AND OTHER REQUIREMENTS AS SHOWN IN DESIGN DRAWINGS.

**REVISIONS**

NO.	DESCRIPTION	DATE

**CAPTIVE.COM**

**MARYLAND OFFICE**  
2221 Kansas Ave, Silver Spring, MD, 20910 PHONE: (800) 988-0881 FAX: (919) 227-4931 EMAIL: reg32@captive.com

Five Guys  
Augusta, GA  
Falls Church, VA 22042

DATE: 8/30/2016  
DWG.#: 2760948  
DRAWN BY: SDC-32  
SCALE: NOT TO SCALE  
MASTER DRAWING

**SHEET NO.**  
4

LMHT Project No. 16202

THE DRAWING IS THE PROPERTY OF THE ARCHITECT AND IS NOT TO BE REPRODUCED OR USED WITHOUT THE WRITTEN PERMISSION.

**PROFESSIONAL DESIGNERS**  
3305 Carrington Blvd. Suite 130, Matthews, NC  
ph: 919 544 7251 fax: 919 544 8399  
A Division of LMHT Associates

SHOP DRAWING FOR REFERENCE ONLY

**PROJECT: FIVE GUYS BURGERS & FRIES**  
8944 J. M. KEYNES DRIVE  
CHARLOTTE, NC 28262

DRAWING: HOOD DETAILS

Revisions

REVISION	DATE

PROJECT DATE: 07.29.2016  
Drawn By: -  
Checked By: -  
Sheet No. **H401**