

REVISIONS

NO.	DESCRIPTION	DATE

CAPTIVE AIR
MARYLAND OFFICE
2221 Kansas Ave. Silver Spring, MD 20910 PHONE: (800) 968-0881 FAX: (919) 227-5931 EMAIL: reg32@captiveaire.com

ATTENTION!
INSTALLER MUST READ LABEL NEAR DISCONNECT SWITCH!
MESSAGE ON LABEL:
"INSTALLER SHOULD SUPPLY ENOUGH ELECTRICAL CORD TO LET FAN MAKE COMPLETE SWING"

EXHAUST FAN INFORMATION

FAN UNIT NO.	TAG	FAN UNIT MODEL #	CFM	ESP.	RPM	H.P.	B.H.P.	#	VOLT	FLA	DISCHARGE VELOCITY	WEIGHT (LBS.)	SONES
1	FRYER	DU180HFA	1800	1.250	1064	3.000	0.5890	3	208	9.5		112	12.4
2	GRILL	CASRE15DD	1800	1.250	1622	3.000	1.0390	3	208	8.7	1322 FPM	200	24

MUA FAN INFORMATION

FAN UNIT NO.	TAG	FAN UNIT MODEL #	BLOWER	HOUSING	CFM	ESP.	RPM	H.P.	B.H.P.	#	VOLT	FLA	WEIGHT (LBS.)	SONES	BURNER EFFICIENCY(%)
3	MUA	A1-D.250-G10	G10	A1-D.250	2718	0.500	1307	2.000	1.6630	3	208	5.9	601	25	92

GAS FIRED MAKE-UP AIR UNIT(S)

FAN UNIT NO.	TAG	INPUT BTUs	OUTPUT BTUs	TEMP. RISE	REQUIRED INPUT GAS PRESSURE	GAS TYPE
3	MUA	215903	198631	70 deg F	7 in. w.c. - 14 in. w.c.	Natural

FAN OPTIONS

FAN UNIT NO.	TAG	OPTION (Qty. - Descr.)
1	FRYER	1 - Grease Box
2	GRILL	1 - RE15 - Rain Cap Assembly - Includes Hardware And Gasket. 1 - Inlet Pressure Gauge, 0-35" 1 - Manifold Pressure Gauge, -5 to 15" wc 1 - Low Fire Start 1 - AC Interlock Relay - 24VAC Coil 1 - Extra Set of Belts 1 - Freezestat (10)
3	MUA	1 - Separate 120V Wiring Package (Required and used only for DCV or Prewire with VFD) - Three Phase Only 1 - Motorized Backdraft Damper for A1-D Housing

CURB ASSEMBLIES

NO.	ON FAN	WEIGHT	ITEM	SIZE
1	# 1	34 LBS	Curb	26.500"W x 26.500"L x 26.000"H Vented Hinged
2	# 2	37 LBS	Curb	23.000"W x 23.000"L x 24.000"H Vented
3	# 3	63 LBS	Curb	21.000"W x 71.000"L x 20.000"H Insulated

IMPORTANT INSTALLATION NOTES:
- ELECTRICAL CONNECTION SHOULD BE MADE ON THE HINGE SIDE OF THE EXHAUST FANS TO ENSURE FANS CAN BE HINGED FOR CLEANING
- RAIN CAP MUST BE FIELD INSTALLED ON FAN #2 AT THE HEIGHT AND ORIENTATION SHOWN ON DETAIL

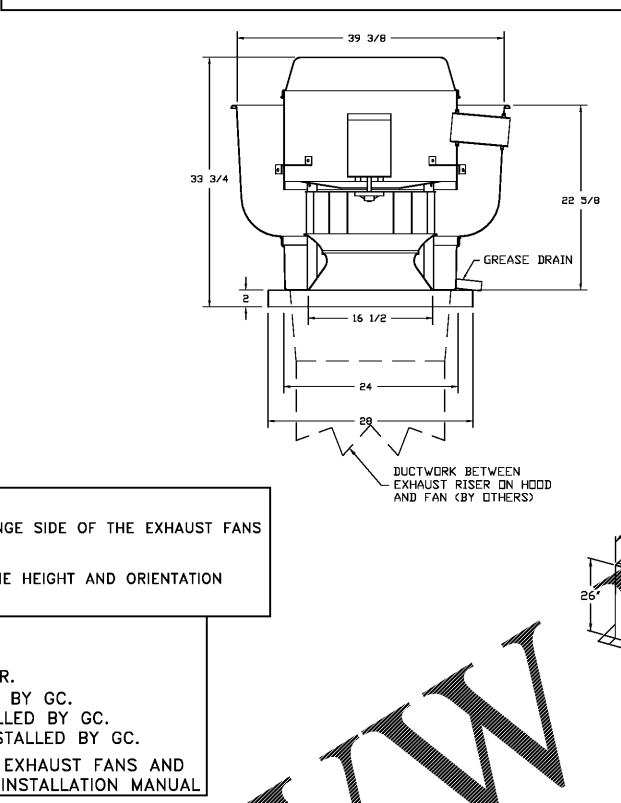
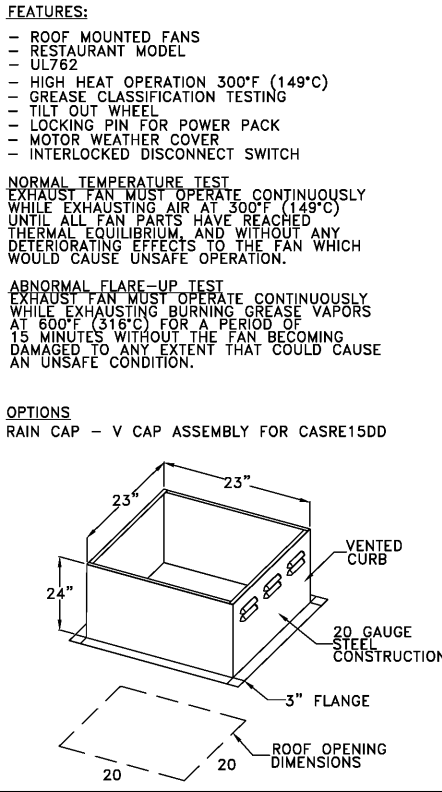
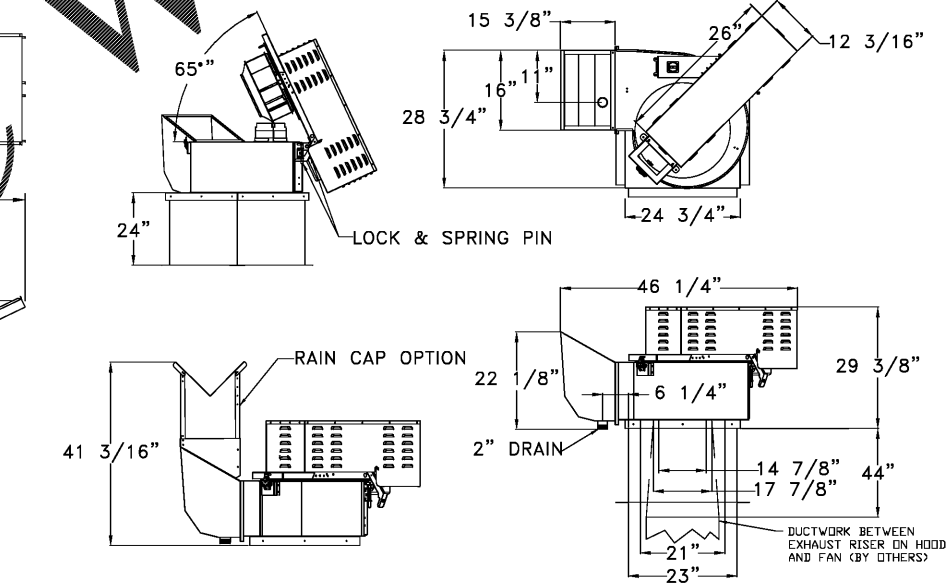
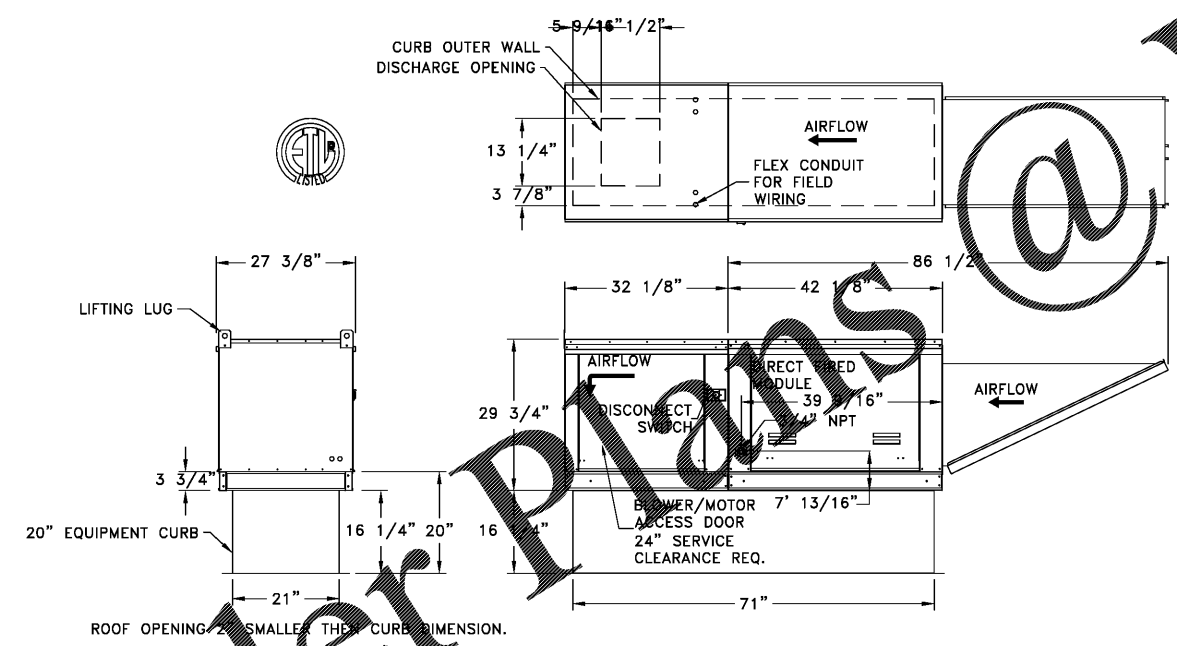
SCOPE OF WORK
HOOD(S): PROVIDED BY OWNER. INSTALLED BY GC.
FIRE SYSTEM(S): PROVIDED & INSTALLED BY OWNER.
EXHAUST FAN(S): PROVIDED BY OWNER. INSTALLED BY GC.
MAKEUP AIR UNIT(S): PROVIDED BY OWNER. INSTALLED BY GC.
ELECTRICAL CONTROL(S): PROVIDED BY OWNER. INSTALLED BY GC.
GC IS RESPONSIBLE FOR COMPLETE START-UP OF EXHAUST FANS AND MAKEUP AIR UNIT PER CAPTIVEAIRE OPERATION & INSTALLATION MANUAL

FAN #3 A1-D.250-G10 - HEATER

1. DIRECT GAS FIRED HEATED MAKE UP AIR UNIT WITH 10" BLOWER
2. INTAKE HOOD WITH EZ FILTERS
3. DOWN DISCHARGE - AIR FLOW RIGHT -> LEFT
4. GAS PRESSURE GAUGE, 0-35", 2.5" DIAMETER, 1/4" THREAD SIZE
5. GAS PRESSURE GAUGE, -5 TO +15 INCHES WC., 2.5" DIAMETER, 1/4" THREAD SIZE
6. LOW FIRE START. ALLOWS THE BURNER CIRCUIT TO ENERGIZE WHEN THE MODULATION CONTROL IS IN A LOW FIRE POSITION.
7. COOLING INTERLOCK RELAY. 24VAC COIL. 120V CONTACTS. LOCKS OUT BURNER CIRCUIT WHEN AC IS ENERGIZED.

FAN #2 CASRE15DD
EXHAUST FAN FOR HOOD COVERING GRILLS

OF SERIES OF CAPTIVE AIR RESTAURANT DUTY UTILITY SET



FEATURES:
- DIRECT DRIVE CONSTRUCTION (NO BELTS/PULLEYS)
- ROOF MOUNTED FANS
- RESTAURANT MODEL
- UL705 AND UL762
- VARIABLE SPEED CONTROL
- INTERNAL WIRING
- WEATHERPROOF DISCONNECT
- THERMAL OVERLOAD PROTECTION (SINGLE PHASE)
- HIGH HEAT OPERATION 300°F (149°C)
- GREASE CLASSIFICATION TESTING

NORMAL TEMPERATURE TEST
EXHAUST FAN MUST OPERATE CONTINUOUSLY WHILE EXHAUSTING AIR AT 300°F (149°C) UNTIL ALL FAN PARTS HAVE REACHED THERMAL EQUILIBRIUM AND WITHOUT ANY DETERIORATING EFFECTS TO THE FAN WHICH WOULD CAUSE UNSAFE OPERATION.

ABNORMAL FLARE-UP TEST
EXHAUST FAN MUST OPERATE CONTINUOUSLY WHILE EXHAUSTING BURNING GREASE VAPORS AT 600°F (316°C) FOR A PERIOD OF 15 MINUTES WITHOUT THE FAN BECOMING DAMAGED TO ANY EXTENT THAT COULD CAUSE AN UNSAFE CONDITION.

OPTIONS
GREASE BOX

THIS DRAWING IS PROVIDED FOR REFERENCE ONLY. HOOD CONTRACTOR SHALL SELECT AND CERTIFY ALL EXHAUST M.U. AIR FANS. ALL SYSTEMS SHALL MEET ALL APPLICABLE REQUIREMENTS OF STATE AND LOCAL CODES AND OTHER REQUIREMENTS AS SHOWN IN DESIGN DRAWINGS.

Order Plans