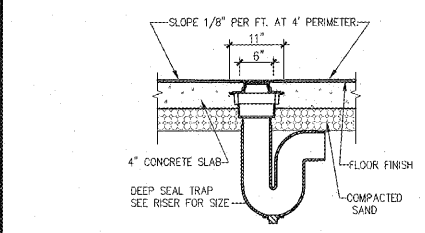
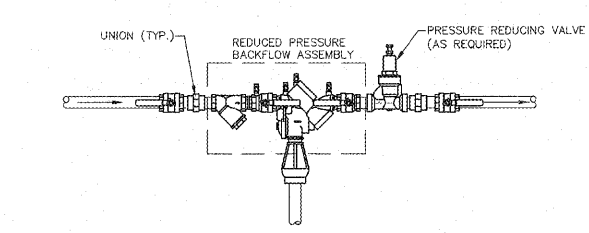


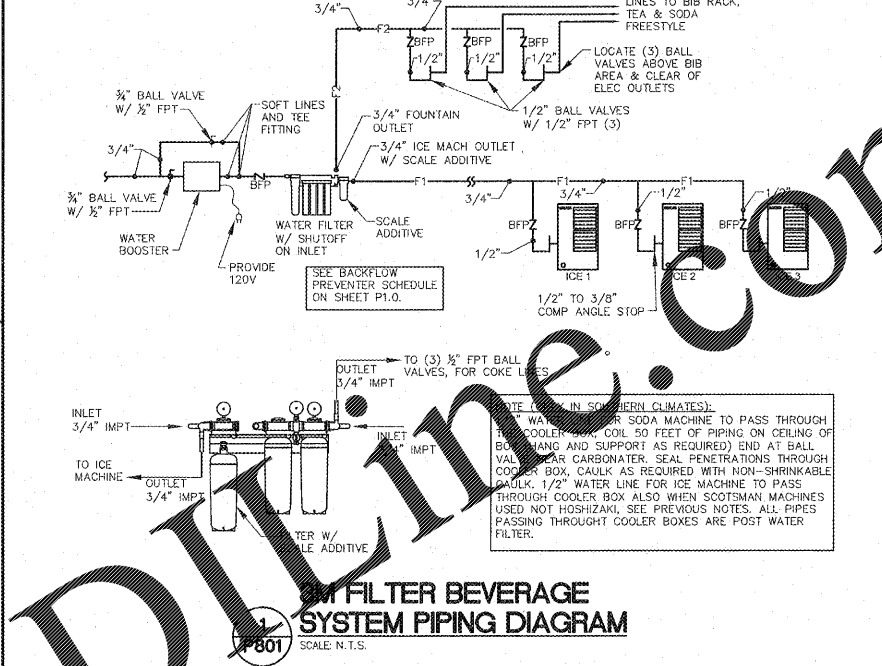
14 MIXING VALVE UNDER LAVATORY DETAIL
P801 SCALE: N.T.S.



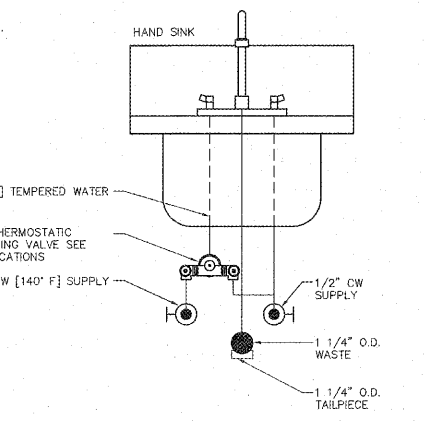
9 FLOOR DRAIN
P801 SCALE: N.T.S.



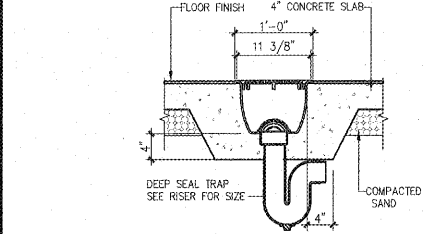
4 BACKFLOW PREVENTER DETAIL
P801 SCALE: N.T.S.



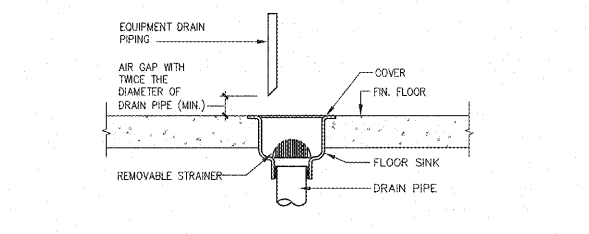
18 WATER FILTER BEVERAGE SYSTEM PIPING DIAGRAM
P801 SCALE: N.T.S.



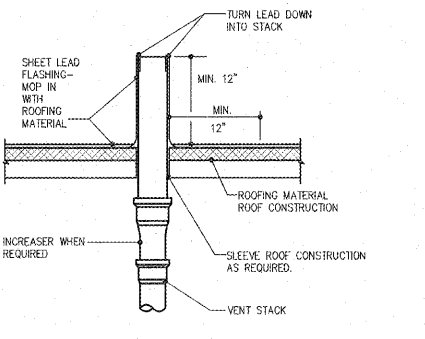
15 MIXING VALVE UNDER HAND SINK DETAIL
P801 SCALE: N.T.S.



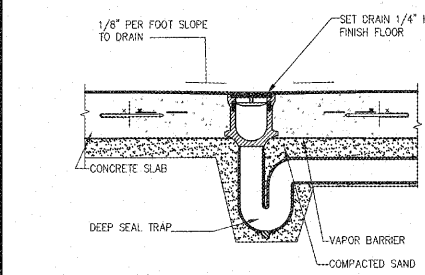
10 FLOOR SINK
P801 SCALE: N.T.S.



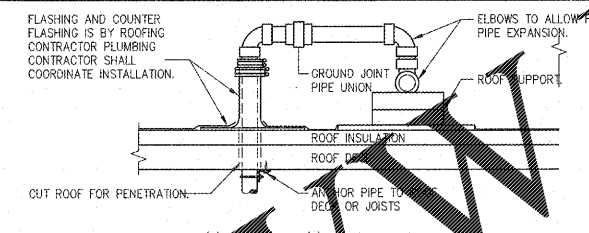
5 INDIRECT DRAIN DETAIL
P801 SCALE: N.T.S.



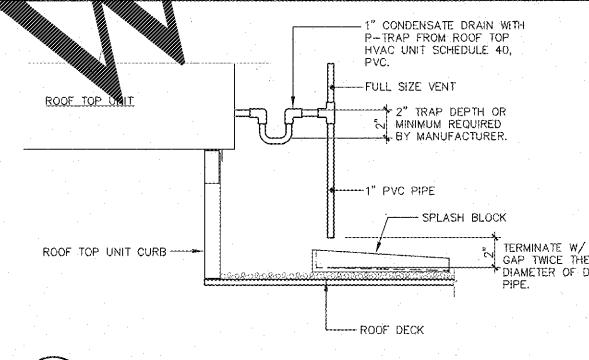
16 VENT THROUGH ROOF
P801 SCALE: N.T.S.



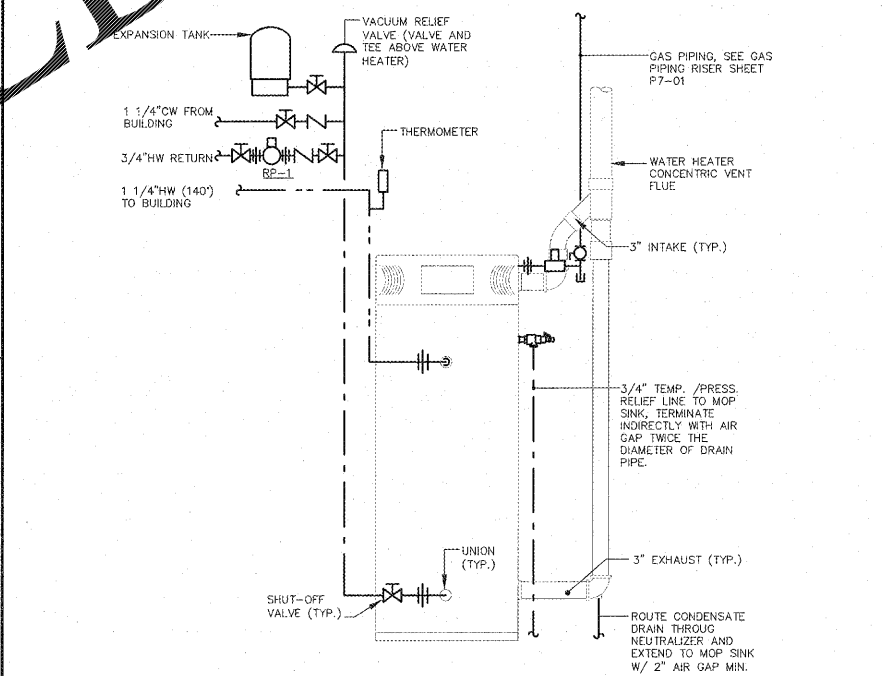
11 TRENCH DRAIN DETAIL
P801 SCALE: N.T.S.



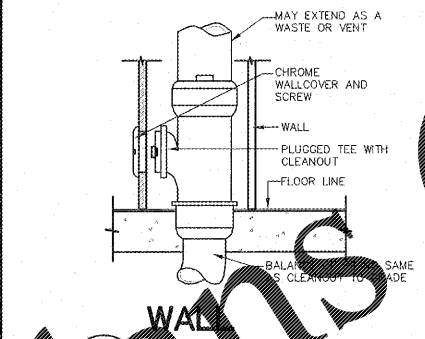
6 GAS PIPE ROOF PENETRATION
P801 SCALE: NONE



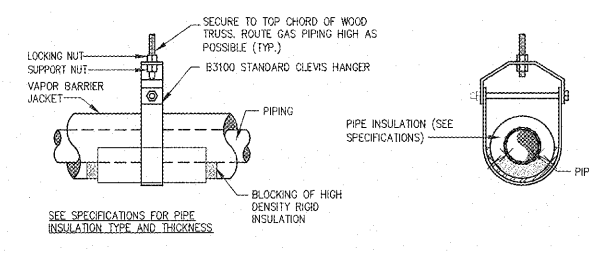
7 CONDENSATE DRAIN DETAIL
P801 SCALE: NONE



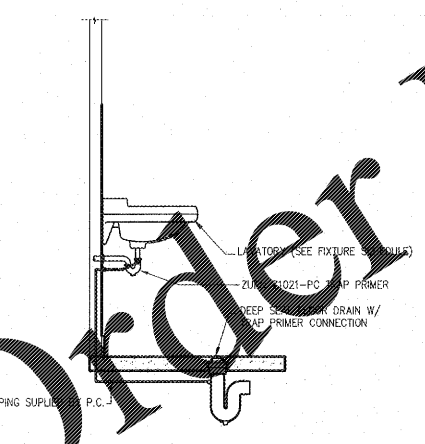
2 WATER HEATER DETAIL
P8-01 SCALE: NONE



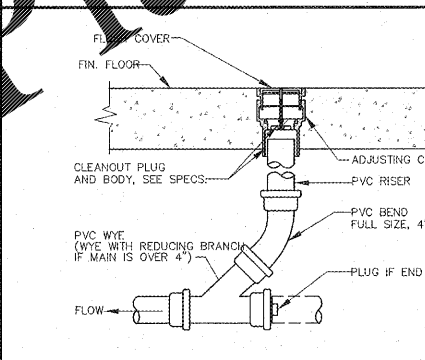
12 WALL CLEAN-OUT DETAIL
P801 SCALE: NONE



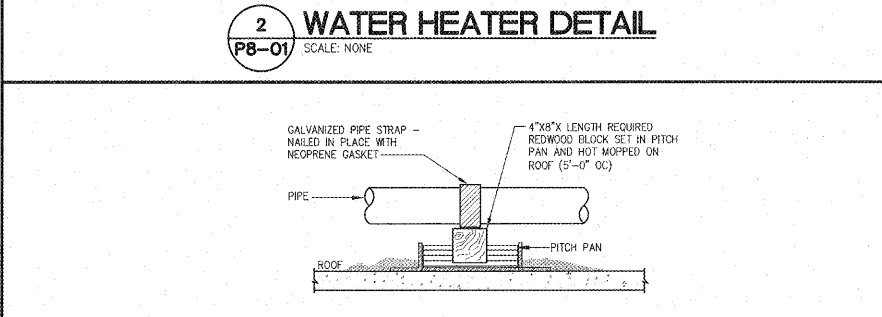
8 PIPE SUPPORT DETAIL
P801 SCALE: NONE



17 TRAP PRIMER DETAIL
P801 SCALE: NONE



13 FLOOR CLEAN-OUT DETAIL
P801 SCALE: NONE



3 ROOF PIPING SUPPORT
P801 SCALE: NONE

Order Plans @

WWW.LDLINE.COM

Order Plans @

LD PROJECT NO. 18187
THIS DRAWING IS THE PROPERTY OF THE ARCHITECT AND MAY NOT BE REPRODUCED OR USED WITHOUT HIS WRITTEN PERMISSION.
L.D. Line, Inc.
ARCHITECTS & ENGINEERS
3005 Cornington Hill Blvd., Suite 150 Marietta, GA 30067
PH: 770.594.7251 FAX: 770.594.9399
A Division of LAMPT Associates

PROJECT: **FIVE GUYS BURGERS & FRIES**
680 CRANE CREEK DRIVE
AUGUSTA, GA, 30907
DRAWING: PLUMBING DETAILS

| Revisions | |
|-----------|---------------|
| NO. | REVISION DATE |
| | |
| | |
| | |

PROJECT DATE
12.3.18

Drawn By
SCP

Checked By
SDS

Sheet No.
P801