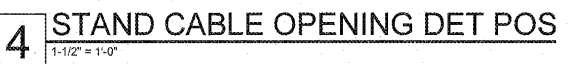
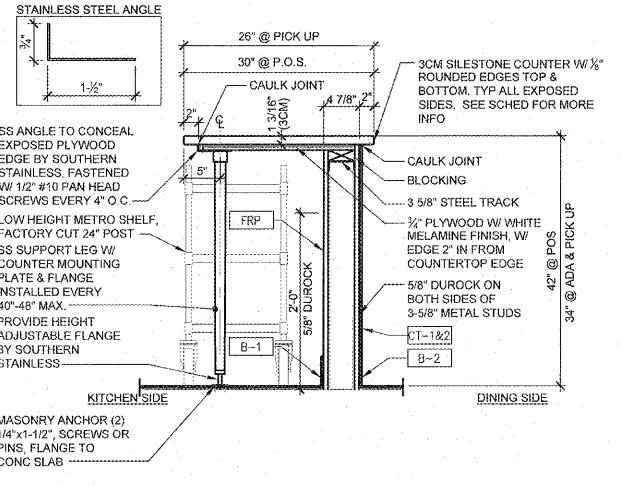
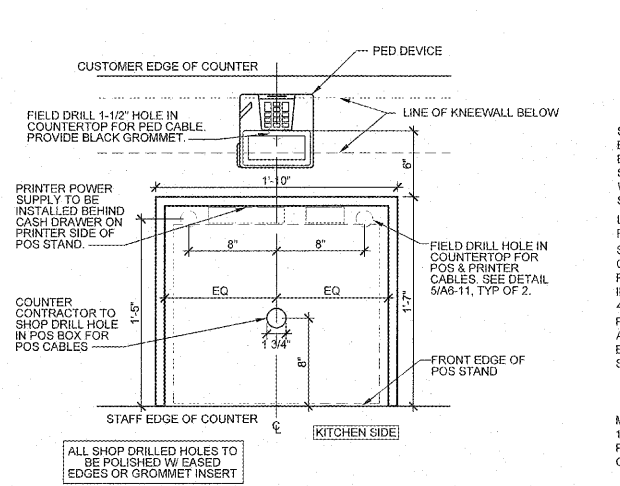
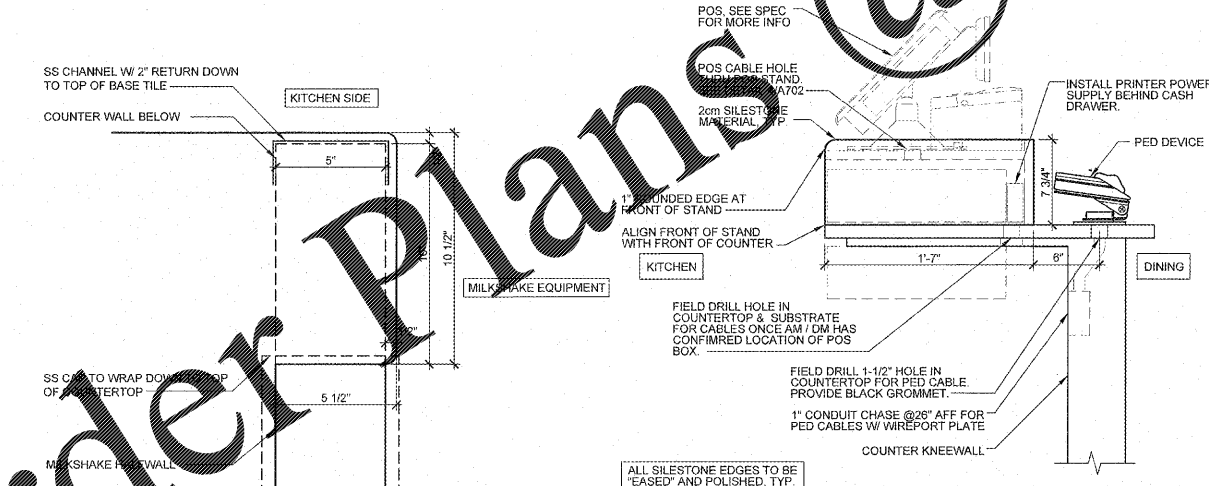
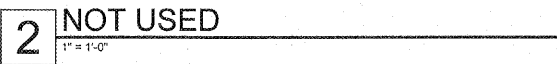
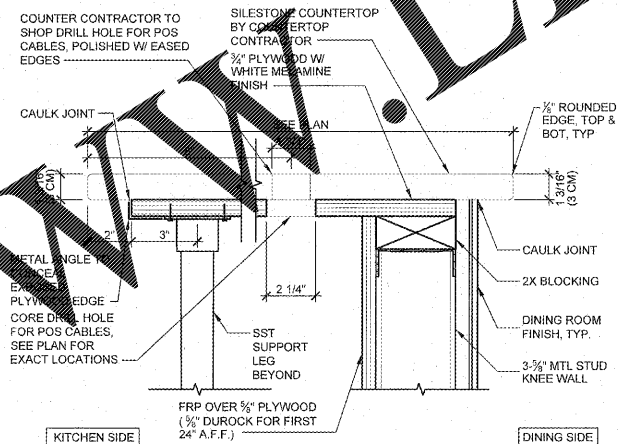
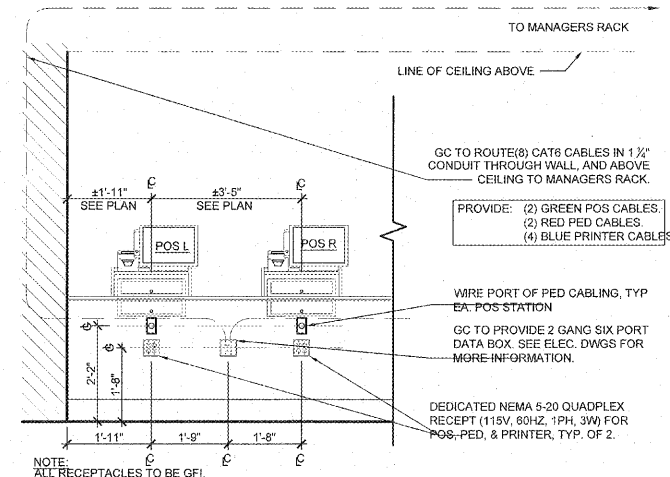
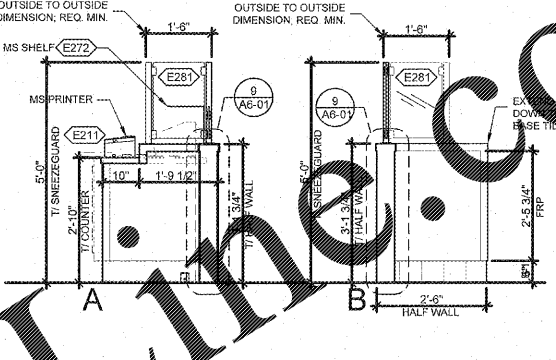
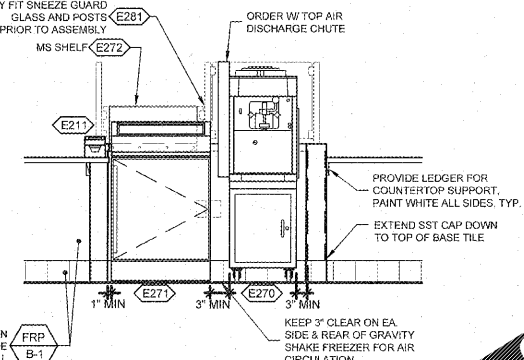
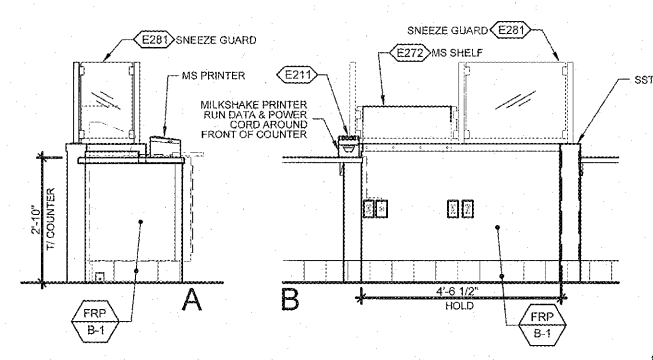


PROJECT: **FIVE GUYS BURGERS & FRIES**
 680 CRANE CREEK DRIVE
 AUGUSTA, GA, 30907
 DRAWING: COUNTER DETAILS

Revisions	
REVISION DATE	
PROJECT DATE	12.3.18
Drawn By	LW
Checked By	TA/DM
Sheet No.	A702



Order Plans @

WWW.LDLINE.COM