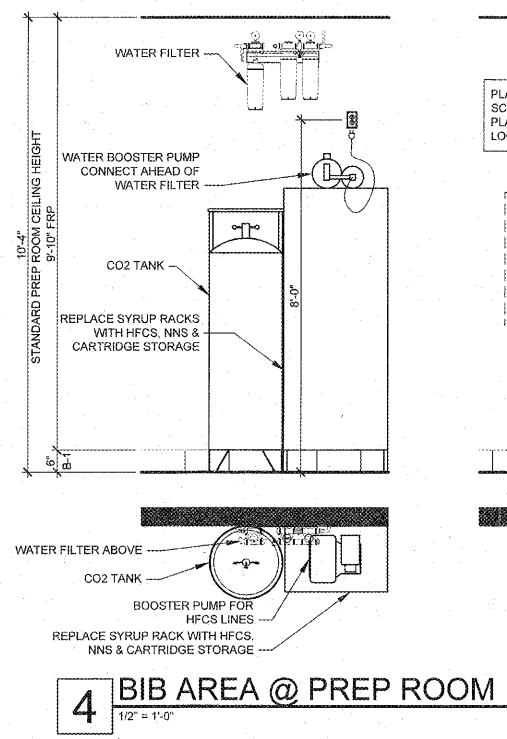
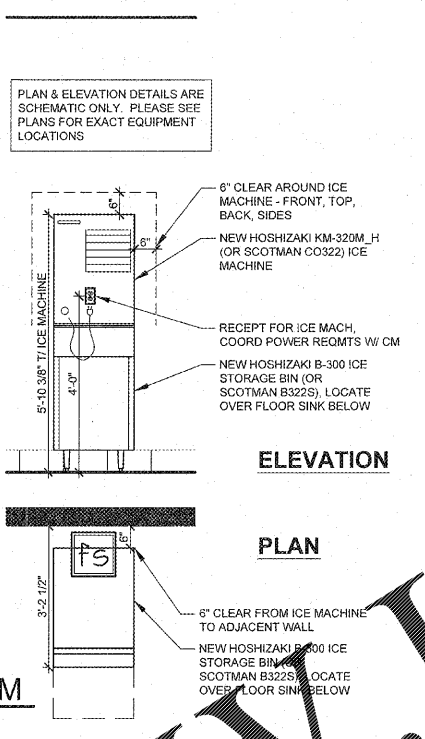


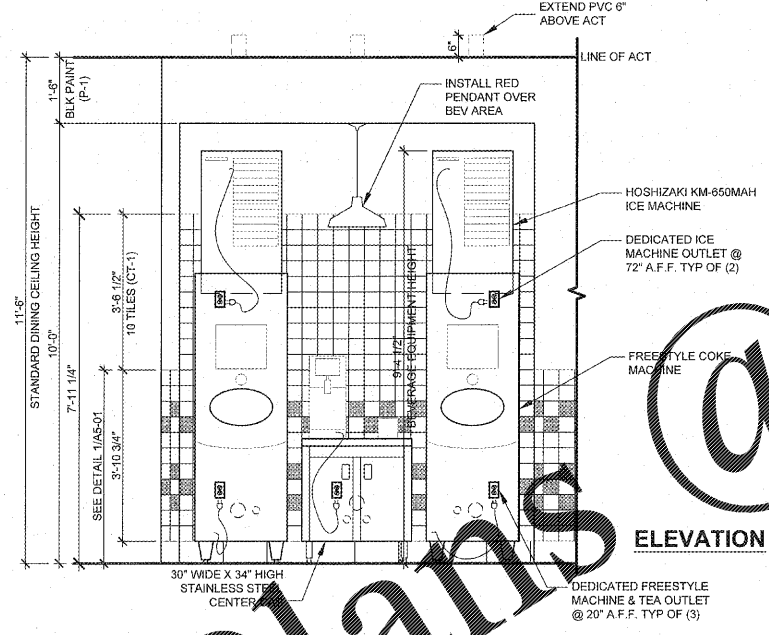
5 VTT DISPENSER INSTALL (E113)
 1/2" = 1'-0"



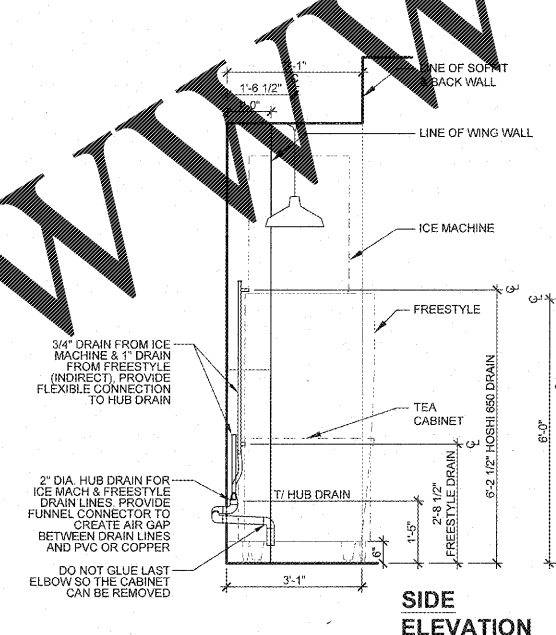
4 BIB AREA @ PREP ROOM
 1/2" = 1'-0"



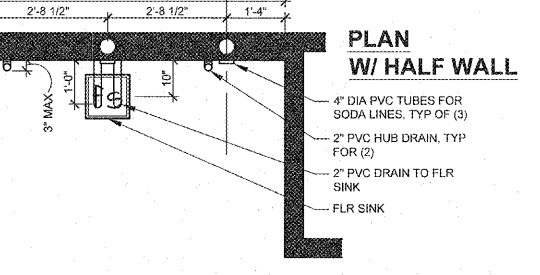
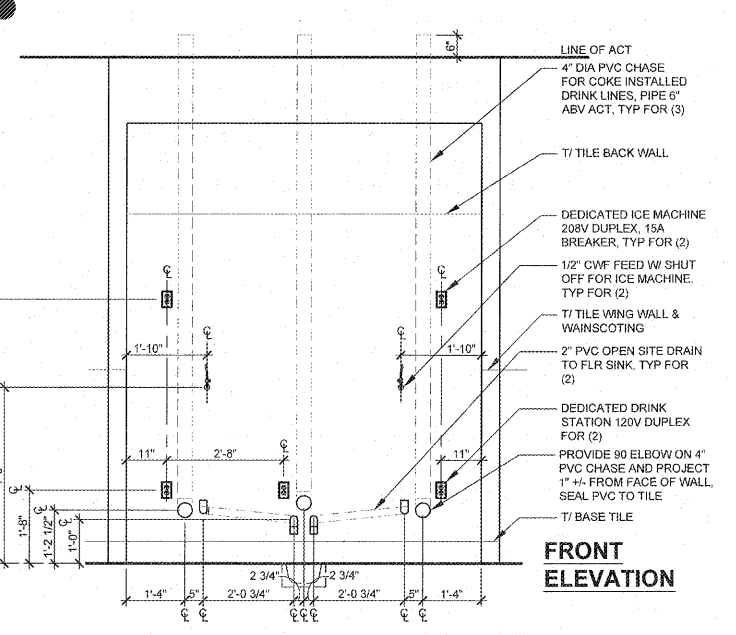
2 WING WALL ELEVATION
 1/2" = 1'-0"



3 STANDARD FREESTYLE INSTALLATION
 1/2" = 1'-0"



1 STANDARD BEVERAGE AREA MPE DETAIL
 1/2" = 1'-0"



1 STANDARD BEVERAGE AREA MPE DETAIL
 1/2" = 1'-0"

Order Plans

Revisions	
REVISION DATE	

PROJECT DATE
12.3.18

Drawn By
AY

Checked By
DMM/TA

Sheet No.
A603