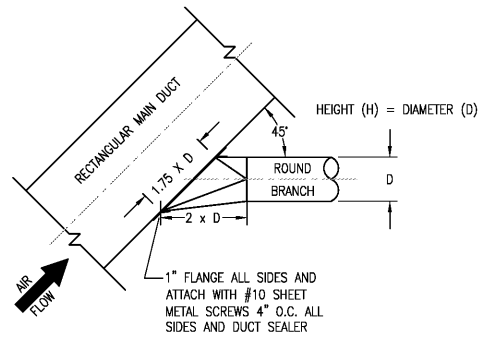
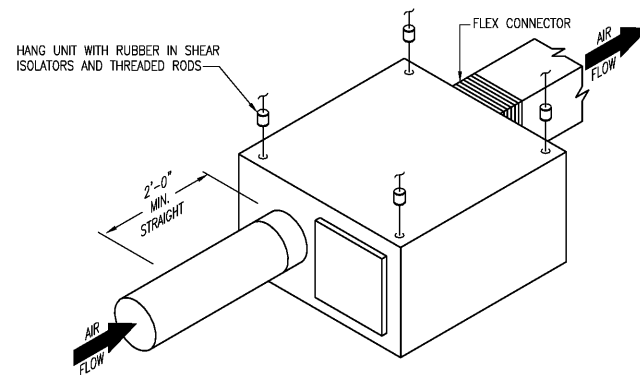


1 FLEXIBLE DUCT TAKE-OFF DETAIL
SCALE: NO SCALE

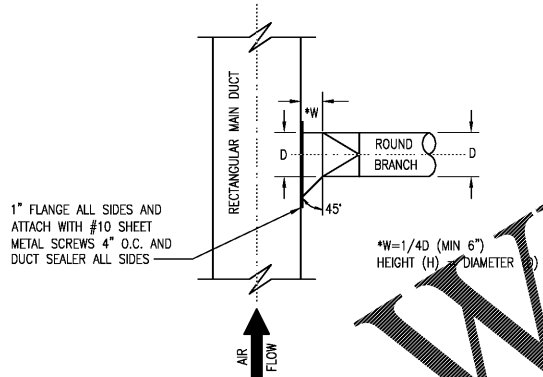


2 45 ROUND/RECTANGULAR DUCT TAP (PLAN VIEW)
SCALE: NO SCALE

USE FOR ALL DUCT 45° TAPS AT MEDIUM PRESSURE RECTANGULAR DUCT.

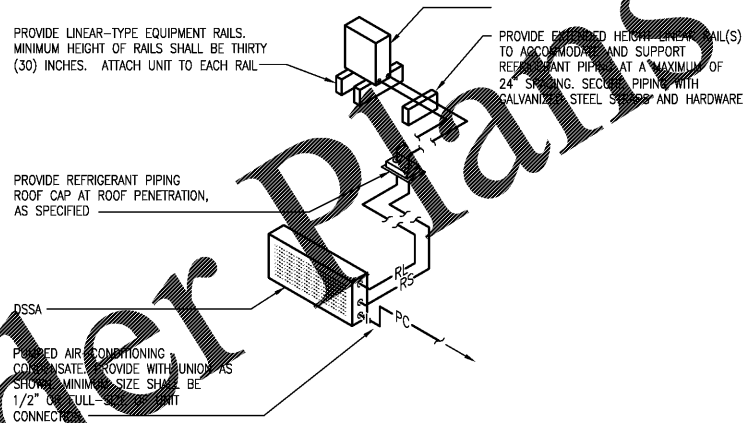


3 POWERED INDUCTION UNIT WITH ELECTRIC REHEAT COIL DIAGRAM
SCALE: NOT TO SCALE



4 90 ROUND/RECTANGULAR DUCT TAP (PLAN VIEW)
SCALE: NO SCALE

USE FOR ALL DUCT 90° TAPS AT MEDIUM PRESSURE RECTANGULAR DUCT.



5 DUCTLESS SPLIT SYSTEM - REFRIGERANT PIPING DIAGRAM
SCALE: NO SCALE

NOTE:
1. SIZE OF RL AND RS PIPING PER MANUFACTURER'S INSTALLATION REQUIREMENTS.

GENERAL NOTES

- EXISTING EQUIPMENT AND PIPING TO REMAIN, UNLESS NOTED TO BE REMOVED.
- VERIFY LOCATIONS OF EXISTING PIPING AND EQUIPMENT PRIOR TO BEGINNING WORK.
- PROVIDE INSULATED FLEXIBLE DUCT TO DIFFUSER SAME SIZE AS DIFFUSER NECK SIZE WITH SPIN-IN WITH SCOOP AND SINGLE BLADE DAMPER AT DIFFUSER TAKE-OFF.
- ALL EXISTING EQUIPMENT AND PIPING IS SHOWN DASHED, NEW EQUIPMENT AND PIPING SHOWN SOLID.
- RUNOUTS TO DIFFUSERS SHALL BE SAME SIZE AS DIFFUSER NECK, UNLESS OTHERWISE NOTED.
- ROUTE DUCTWORK AS TIGHT TO STRUCTURE AS POSSIBLE, UNLESS OTHERWISE NOTED.
- MAXIMUM FLEXIBLE DUCT RUNOUT TO BE TEN FEET. USE GALVANIZED STEEL DUCT FOR INDIVIDUAL RUNOUTS OVER TEN FEET.
- BALANCE AIR DISTRIBUTION SYSTEMS AS NOTED.
- UNLESS OTHERWISE NOTED, WALL MOUNTED THERMOSTATS AND SENSORS SHALL BE MOUNTED WITH THE TOP OF THE THERMOSTATS AND SENSORS AT 4'-0" AFF.
- COORDINATE ALL LAY-IN CEILING DIFFUSERS WITH ARCHITECTURAL REFLECTED CEILING PLAN.
- PROTECT ALL MATERIALS AND EQUIPMENT FROM DAMAGE.
- CONTRACTOR SHALL PAINT ALL DUCTWORK VISIBLE THROUGH SUPPLY AND RETURN AIR OPENINGS AND GRILLES FLAT BLACK.

HVAC LEGEND & ABBREVIATIONS

SYMBOL	DESCRIPTION
00x00	RECTANGULAR AIR DUCT - FIRST DIMENSION IS SIDE SHOWN
X X X X	DUCTWORK TO BE REMOVED
[---]	LINED DUCTWORK, DIMENSIONS PROVIDE MINIMUM CROSS-SECTIONAL AREA REQUIRED
[X] OR [X]	SUPPLY OR OUTSIDE AIR RECTANGULAR DUCT RISE OR DROP
[X] OR [X]	RETURN AIR RECTANGULAR DUCT RISE OR DROP
[]	SQUARE ELBOW WITH TURNING VANES
[]	DUCT TRANSITION, RECTANGULAR TO RECTANGULAR
[]	FLEX DUCT AT DIFFUSER
UP / DN	GRADE ARROW-INDICATES RISE OR DROP IN DUCT OR PIPE
⊙	TEMPERATURE SENSOR
⊙	EXTENT OF DEMO / CONNECT TO EXISTING

DUCTLESS SPLIT SYSTEM SCHEDULE

OUTDOOR UNIT TAG	INDOOR UNIT TAG	ROOM SERVED	INDOOR UNIT TYPE	INDOOR UNIT DESIGN BASIS	INDOOR UNIT NOMINAL SIZE	SUPPLY FAN CFM (HIGH/LOW)	ZONE COOLING LOAD	ZONE HEATING CAPACITY	INDOOR UNIT ELECTRICAL DATA	OUTDOOR UNIT DESIGN BASIS	REMARKS
							TOTAL CAPACITY	SENSIBLE CAPACITY	VOLTS / PHASE		
DSSC-1	DSSA-1	ELECTIONS CENTRAL	CEILING-CASSETTE	DAIKIN	FFQ15QZVJU	420/367/293	14.4	10.9	-16.2	208-230v/1φ	DAIKIN RX15RMVJU (1)(2)(3)(4)

- PROVIDE FACTORY SUPPLIERS PUMP AND DISINTEGRATE PUMP.
- COOLING CAPACITY BASED ON 95°F DESIGN COOLING, 80°F/67°F RETURN.
- HEATING CAPACITY BASED ON 65°F AMBIENT TEMPERATURE, 70°F RETURN.
- PROVIDE MATCHING OUTDOOR CONDENSING UNIT; VOLTAGE OF OUTDOOR UNITS TO BE 208v/1φ.

PARALLEL POWERED INDUCTION UNIT SCHEDULE

MARK	SERVES	PRIMARY VAV			FAN			ELECTRIC HEAT		DESIGN BASIS	REMARKS
		MAXIMUM CFM	MINIMUM CFM	MAXIMUM STATIC PRESS. DROP	CFM	E.S.P.	H.P.	VOLTAGE	RESISTANCE KW		
PIU-3-16	SUPPLY/WORKROOM	700	210	0.25" WC	280	0.40"	1/2	277v/1φ	4.5	277v/1φ	TITUS DTQP (1)(2)(3)

- WITH 277V TO 24V CONTROL TRANSFORMER.
- CONTRACTOR AND MANUFACTURER TO VERIFY RIGHT-HAND/LEFT-HAND CONFIGURATIONS AS SHOWN ON DRAWINGS.
- PROVIDE DISCONNECT.

EXISTING POWERED INDUCTION UNIT SCHEDULE

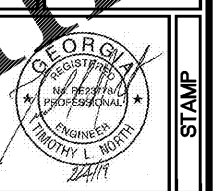
MARK	SERVES	PRIMARY VAV			FAN		REMARKS
		MAXIMUM CFM	MINIMUM CFM	MAXIMUM STATIC PRESS. DROP	CFM	VOLTAGE	
PIU-3-1	OFFICE	870	200	0.25" WC	870	277v/1φ (1)	
PIU-3-5	MANAGER'S OFFICE	1,250	300	0.25" WC	1,250	277v/1φ (1)	
PIU-3-8	ELECTIONS CENTRAL	560	160	0.25" WC	570	277v/1φ (1)	
PIU-3-9	REGISTRATION	470	140	0.25" WC	470	277v/1φ (1)	
PIU-3-10	ADMIN/OVERFLOW VOTING	1,290	200	0.25" WC	1,300	277v/1φ (1)	
PIU-3-11	GENERAL/ADA VOTING	610	160	0.25" WC	620	277v/1φ (1)	
PIU-3-12	GENERAL/ADA VOTING	980	200	0.25" WC	1,000	277v/1φ (1)	
PIU-3-13	WAITING AREA	1,330	300	0.25" WC	1,350	277v/1φ (1)	
PIU-3-14	WAITING AREA	1,600	400	0.25" WC	1,600	277v/1φ (1)	
PIU-3-15	PHONE BANK	830	200	0.25" WC	850	277v/1φ (1)	

(1) EXISTING UNIT TO BE RE-BALANCED WITH NOTED AIRFLOWS.

GRILLE, REGISTER, AND DIFFUSER SCHEDULE

MARK	DESCRIPTION	FINISH
S-1	24x24 STEEL SQUARE CEILING DIFFUSER, FLANGE FRAME, 4 WAY THROW, ADJUSTABLE PATTERN, FULL FACE, O.B. DAMPER, WITH ROUND NECK, THREE CONES, NECK SIZE AS SHOWN. PROVIDE ALUMINUM PLASTER FRAME FOR SURFACE MOUNT APPLICATION. TITUS TMSA.	BAKED OFF WHITE ENAMEL
R-1	1/2"x1/2"x1/2" ALUMINUM EGG CRATE EXHAUST GRILLE, LAY-IN FRAME, CORE ONLY, SIZE AS SHOWN. TITUS TMSA.	BAKED OFF WHITE ENAMEL

© 2019
PRECISION PLANNING, INC.
REGISTERED PROFESSIONAL ENGINEER
TIMOTHY L. WORTH
22419



PRECISION Planning Inc.
planners • engineers • architects • surveyors
400 Pile Equipment, Lawrenceville, GA 30046
770.538.8000 • www.ppi.us

GWINNETT COUNTY VOTER REG. AND ELEC. RENOVATION
455 Grayson Highway
Suite 200
Lawrenceville, GA 30046

HVAC NOTES SCHEDULES & DETAILS

DATE	NO.	DESCRIPTION
02/04/19	1	RELEASED FOR BID

02-04-19 DATE
A18-87AC68B PROJ. NUMBER
MO1.dwg FILE NAME
FILE NUMBER

MO.1

Order Plans