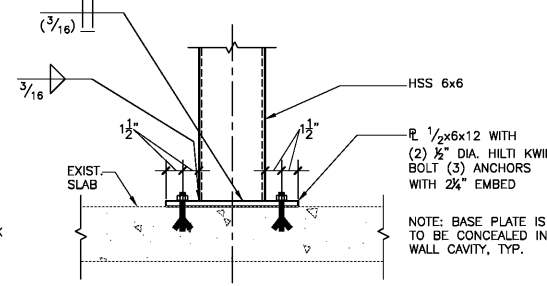


SECTION AT BASE

SCALE: 3\"/>

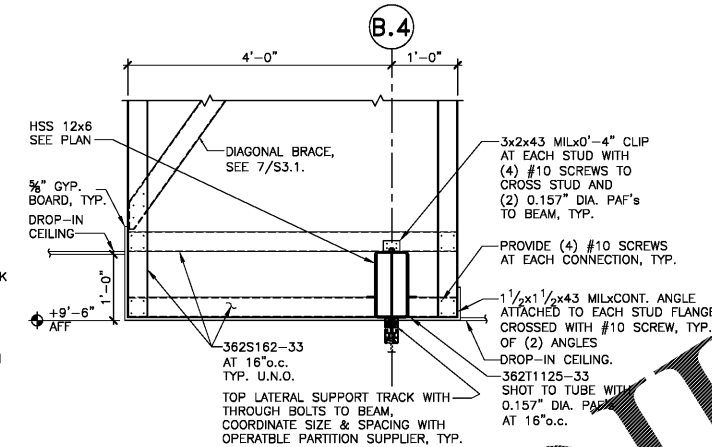
1  
S3.1



SECTION

SCALE: 1 1/2\"/>

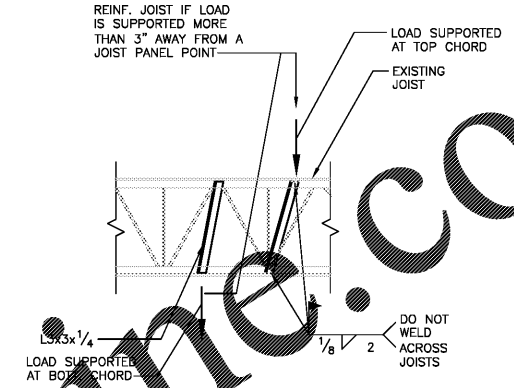
2  
S3.1



SECTION AT HEAD

SCALE: 3/4\"/>

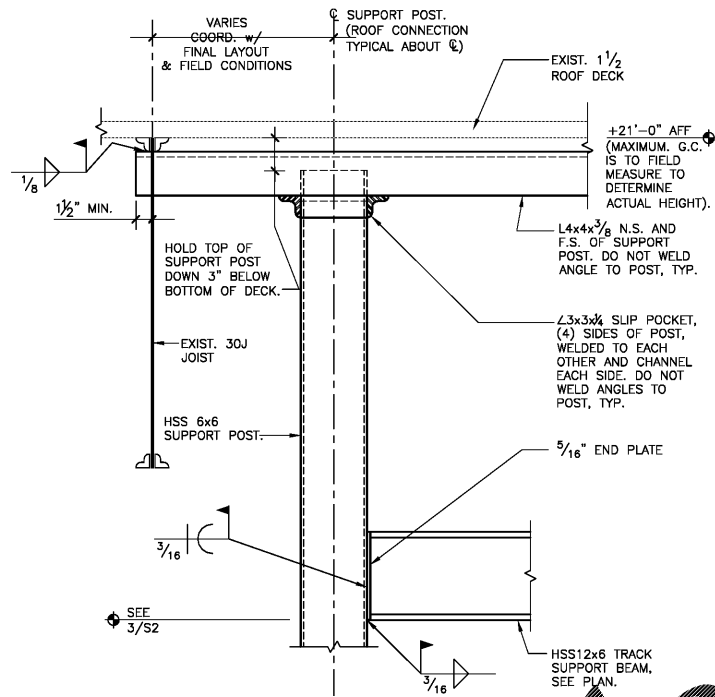
3  
S3.1



TYP. JOIST REINF. DETAIL AT ROOF OPENING/EQUIPMENT FRAME SUPPORT/CONCENTRATED LOAD

NOT TO SCALE

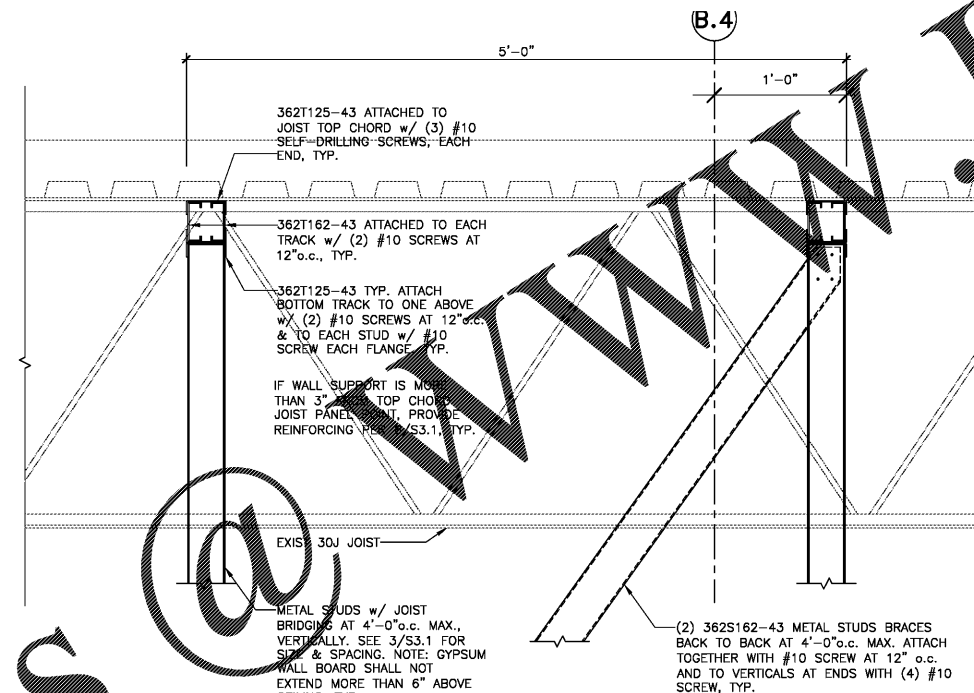
6  
S3.1



SECTION

SCALE: 1 1/2\"/>

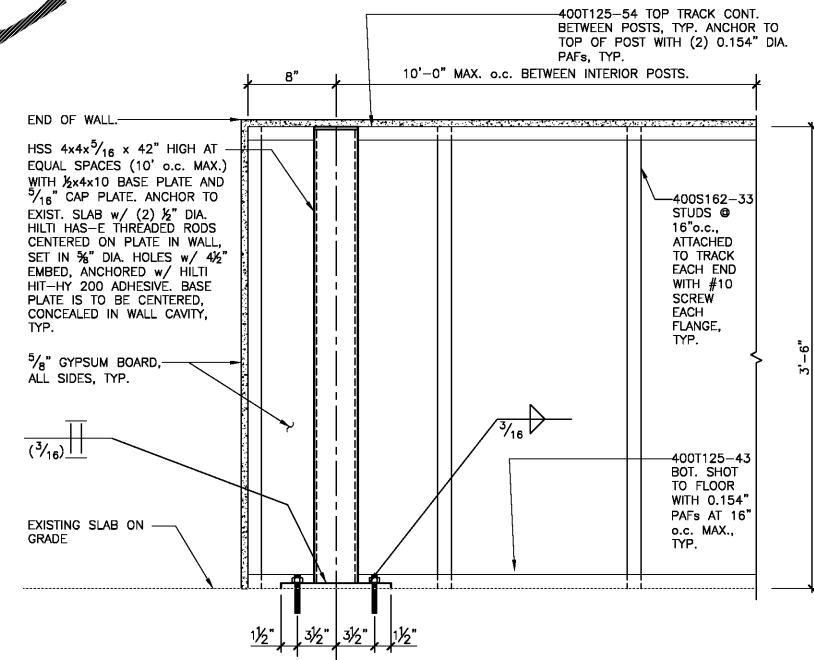
4  
S3.1



SECTION

SCALE: 1 1/2\"/>

5  
S3.1

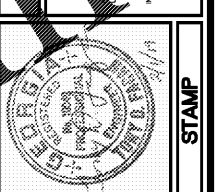


LOW WALL ELEVATION

SCALE: 1 1/2\"/>

7  
S3.1

© 2019  
PRECISION  
PLANNING, INC.  
ALL RIGHTS RESERVED.  
THIS DOCUMENT IS THE PROPERTY OF PRECISION PLANNING, INC. IT IS TO BE USED ONLY FOR THE PROJECT AND SITE SPECIFICALLY IDENTIFIED HEREIN. IT IS NOT TO BE REPRODUCED OR TRANSMITTED IN ANY FORM OR BY ANY MEANS, ELECTRONIC OR MECHANICAL, INCLUDING PHOTOCOPYING, RECORDING, OR BY ANY INFORMATION STORAGE AND RETRIEVAL SYSTEM, WITHOUT THE WRITTEN PERMISSION OF PRECISION PLANNING, INC.



**PRECISION**  
Planning Inc.  
planners • engineers • architects • surveyors  
400 Pike Boulevard, Lawrenceville, GA 30046  
770-338-8800 • www.ppi.us

**GWINNETT COUNTY**  
**VOTER REG. AND**  
**ELEC. RENOVATION**  
455 Grayson Highway, Suite 200  
Lawrenceville, GA 30046

SECTIONS AND DETAILS	DESIGN		DRAWN		CHECKED		TDS	
	TDS	GA	GA	TDS	GA	TDS	TDS	

DATE	NO.	DESCRIPTION	RELEASE
02/04/19			

DATE	PROJ. NUMBER	FILE NAME	FILE NUMBER
02-04-19	A16-187A08B		

**S3.1**

SBFA JOB # 18066.01  
STARZER BRADY FAGAN ASSOCIATES, INC.  
CONSULTING STRUCTURAL ENGINEERS  
2337 PERIMETER PARK DR., SUITE 215  
ALANTA, GEORGIA 30341  
PHONE: (770) 488-3404 FAX: (770) 451-1415  
WWW.SBFA.COM

Order Plans