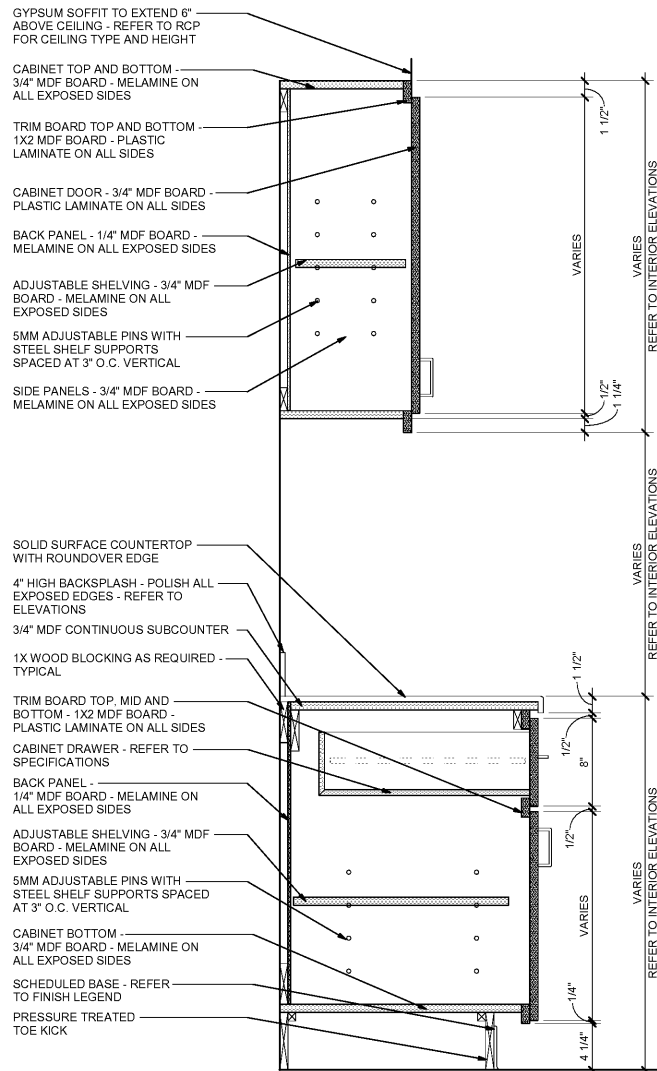
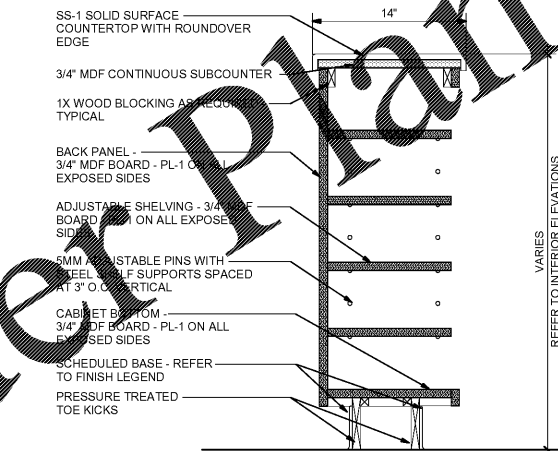


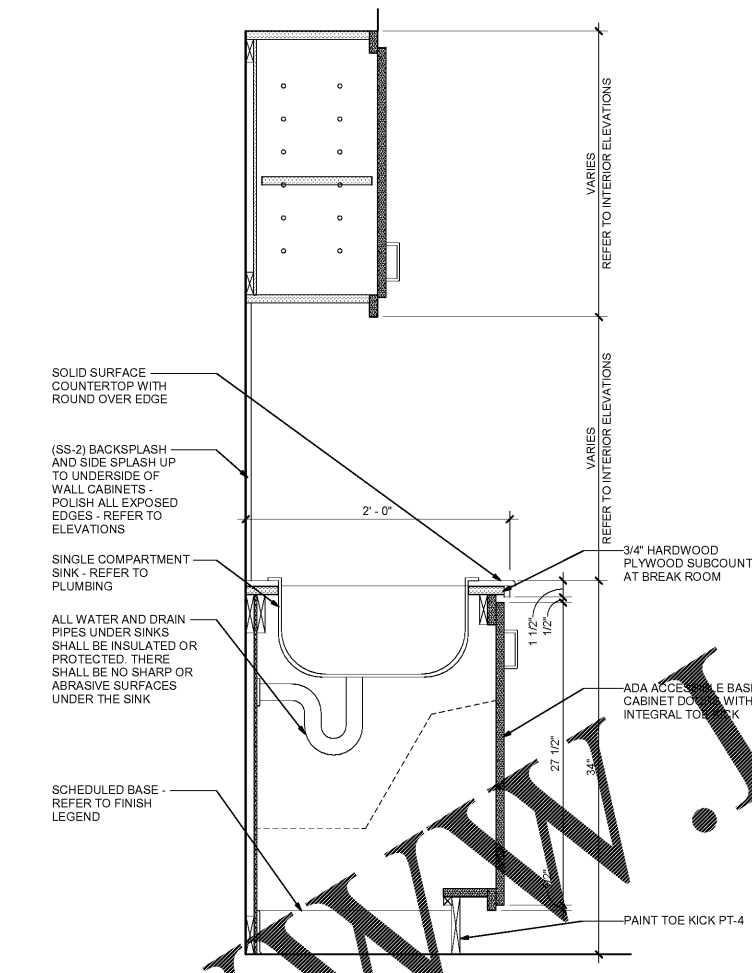
Order Plans



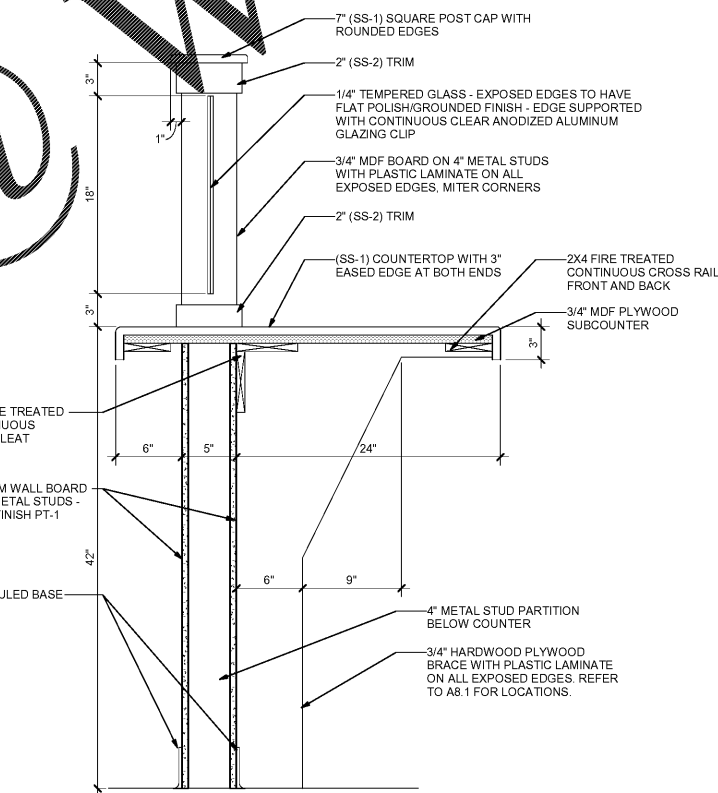
1 Typical Millwork Section
 A8.3 1 1/2" = 1'-0"



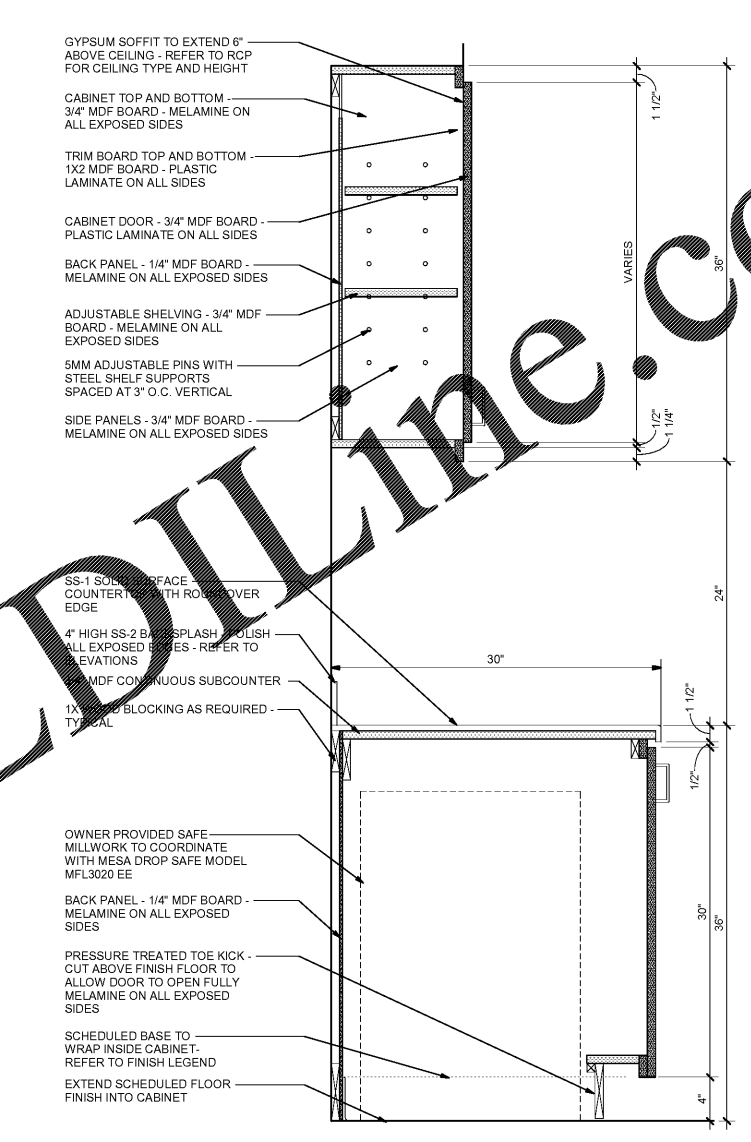
4 Typical Section at Base Return
 A8.3 1 1/2" = 1'-0"



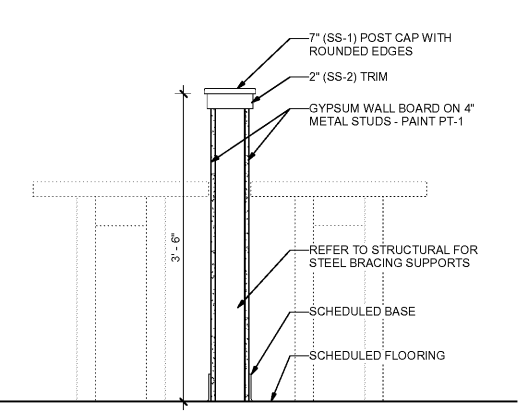
2 Typical Millwork Section at ADA Sink Base
 A8.3 1 1/2" = 1'-0"



5 Typical Section at Registration
 A8.3 1 1/2" = 1'-0"



3 Typical Millwork Section at Owner Provided Safe
 A8.3 1 1/2" = 1'-0"



6 Section at Low Wall
 A8.3 1" = 1'-0"

© 2019 PPI INC. ALL RIGHTS RESERVED.
 THESE DOCUMENTS ARE THE PROPERTY OF PPI INC. AND ARE TO BE USED ONLY FOR THE PROJECT AND SITE SPECIFICALLY IDENTIFIED HEREIN. ANY REUSE OR DISTRIBUTION OF THESE DOCUMENTS WITHOUT THE WRITTEN PERMISSION OF PPI INC. IS STRICTLY PROHIBITED.
 STATE OF GEORGIA
 REGISTERED PROFESSIONAL SURVEYOR
 SCALE 1/8" = 1'-0"
 REGISTERED

PRECISION
 Planning Inc.
 planners • engineers • architects • surveyors
 400 Pike Boulevard,
 Lawrenceville, GA 30046
 770.338.6000 • www.ppi.us

WINNETT COUNTY
VOTER REG. AND
ELEC. RENOVATION
 455 Grayson Hwy
 Lawrenceville, GA 30046

MILLWORK SECTIONS		SHEET TITLE	
DESIGN	PPI	DRAWN	MEF
CHECKED	BKS	CHECKED	BKS

Date	No.	Description
02-13-19		RELEASED FOR BID

02-13-19	A16-137AGSB	PROJ. NUMBER	XXX.rvt	FILE NAME	FILE NUMBER
----------	-------------	--------------	---------	-----------	-------------

A8.3