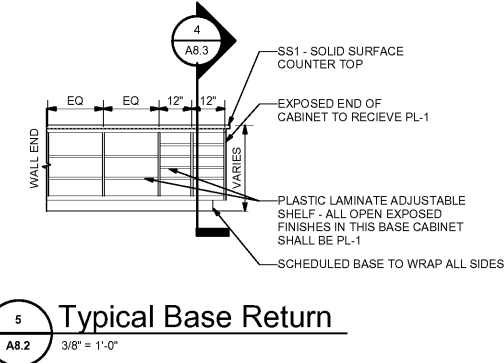
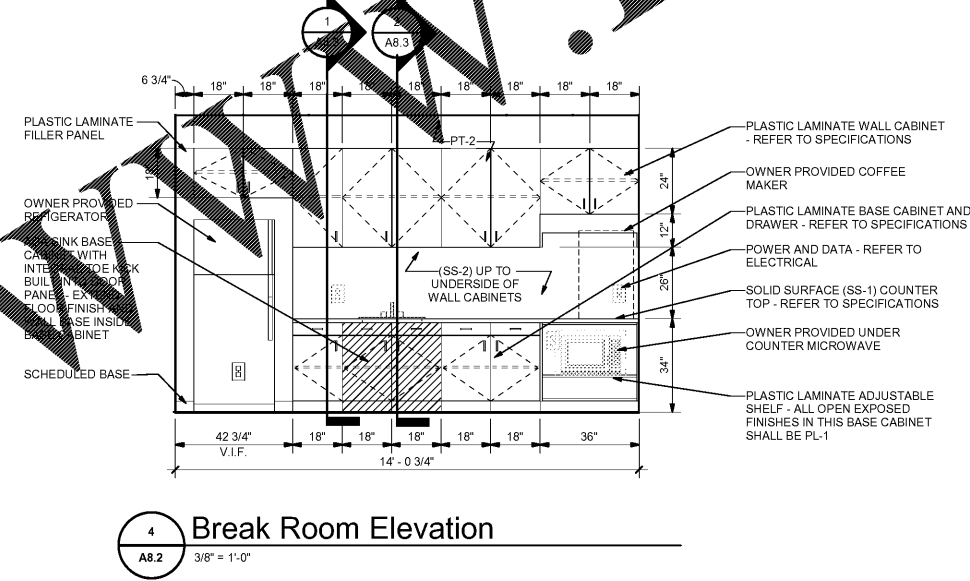
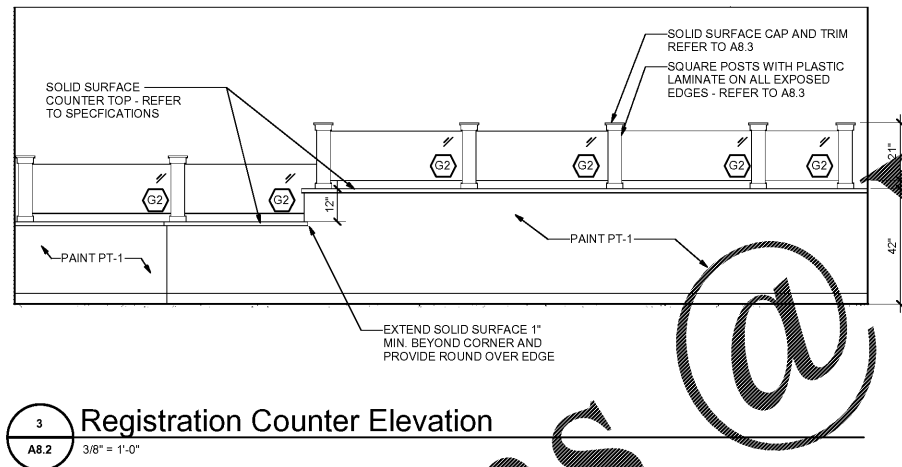
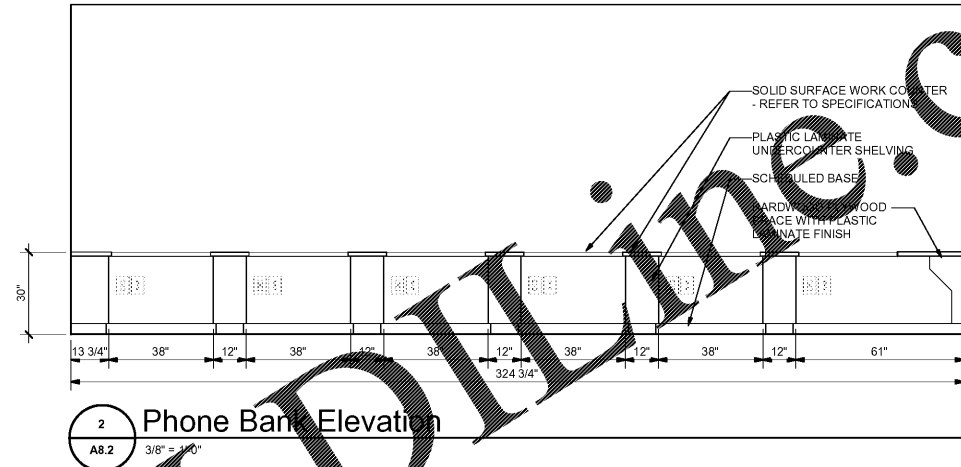
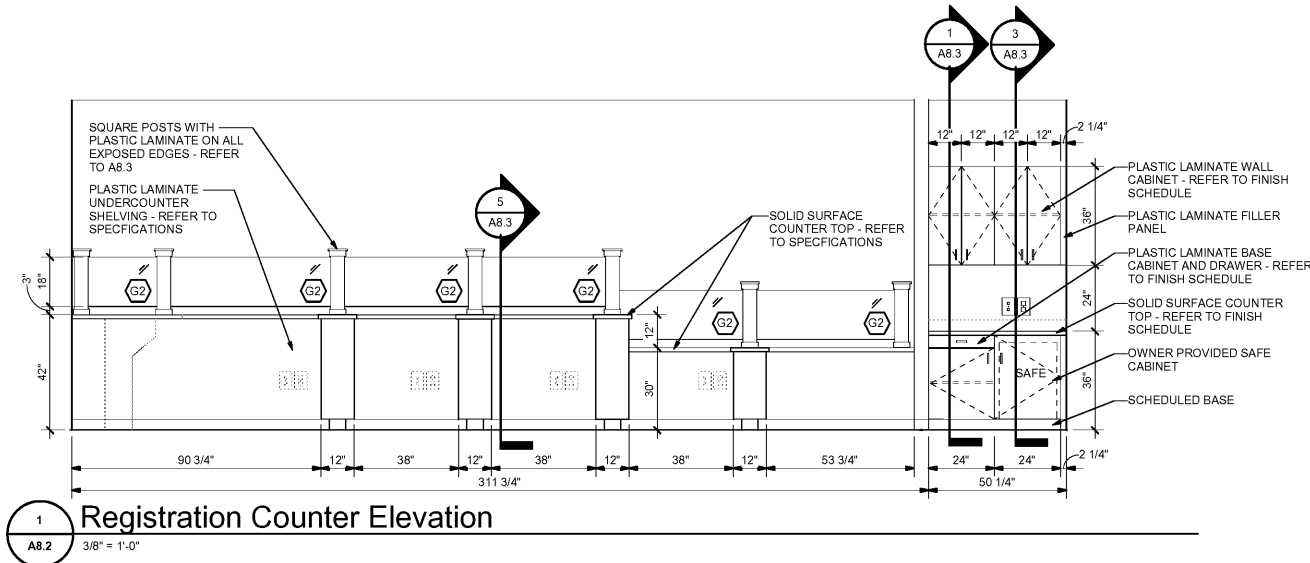
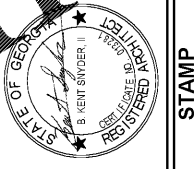


Order Plans @



© 2019 PPI, INC.
 ALL RIGHTS RESERVED.
 THESE DOCUMENTS ARE THE PROPERTY OF PPI, INC. AND ARE TO BE USED ONLY FOR THE PROJECT AND SITE SPECIFICALLY IDENTIFIED HEREIN. ANY REUSE OR REPRODUCTION OF THESE DOCUMENTS WITHOUT THE WRITTEN PERMISSION OF PPI, INC. IS STRICTLY PROHIBITED.



PRECISION
 Planning Inc.
 planners • engineers • architects • surveyors
 400 Pike Boulevard,
 Lawrenceville, GA 30046
 770.338.6000 • www.ppi.us

WINNETT COUNTY
VOTER REG. AND
ELEC. RENOVATION
 455 Grayson Hwy
 Lawrenceville, GA 30046

| | | | | | | |
|---------------------|--------|-----|-------|-----|---------|-------------|
| INTERIOR ELEVATIONS | DESIGN | PP1 | DRAWN | MEF | CHECKED | BKS |
| PROJECT TITLE | | | | | | SHEET TITLE |

| Date | No. | Description |
|----------|------------------|-------------|
| 02-13-19 | RELEASED FOR BID | |

| | | | |
|----------|-------------|-------------|--------------|
| 02-13-19 | A16-137AGSB | DATE | PROJ. NUMBER |
| | XXX.rvt | FILE NAME | |
| | | FILE NUMBER | |

A8.2

STAMP

PROJECT

RELEASE