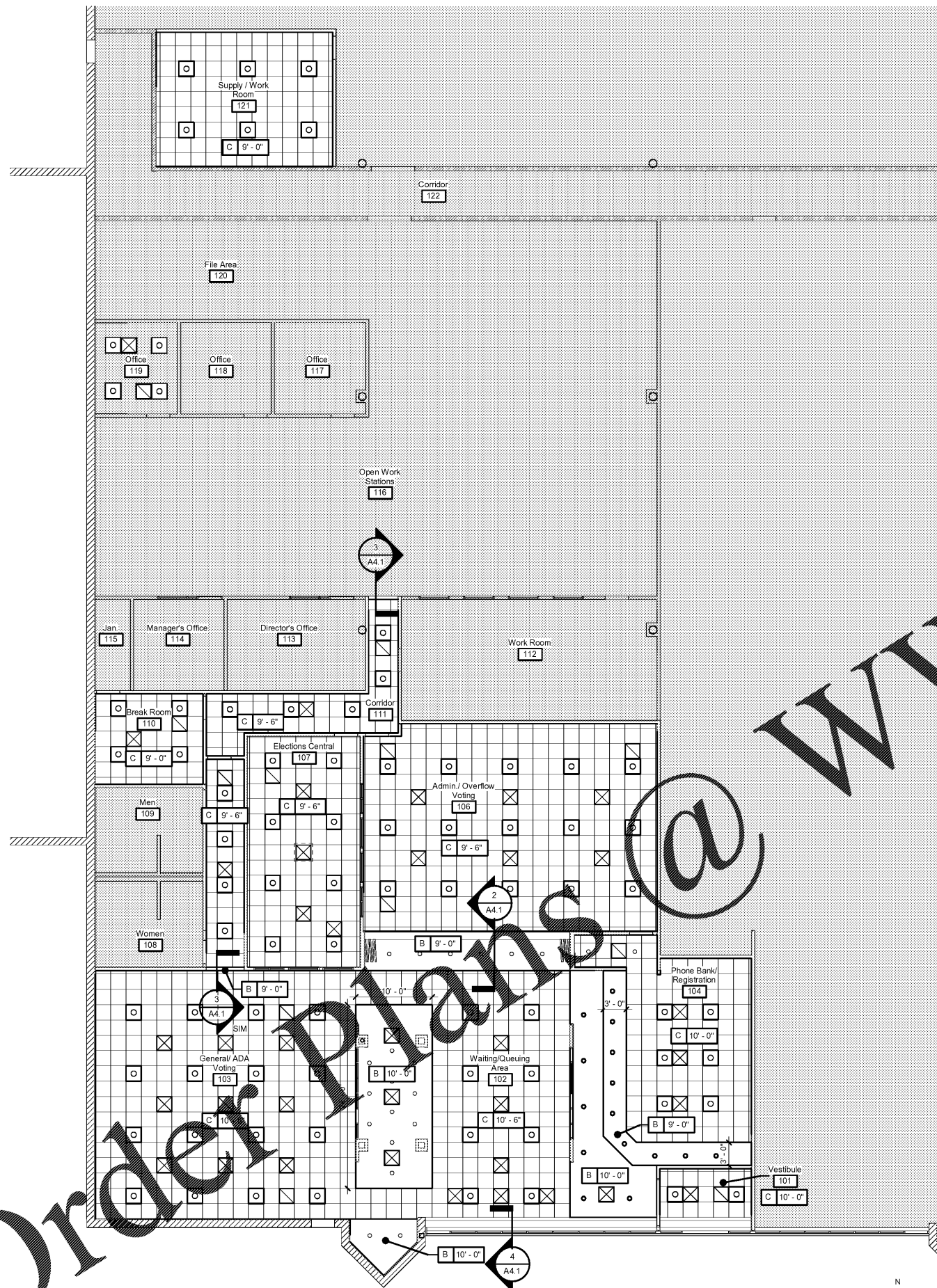
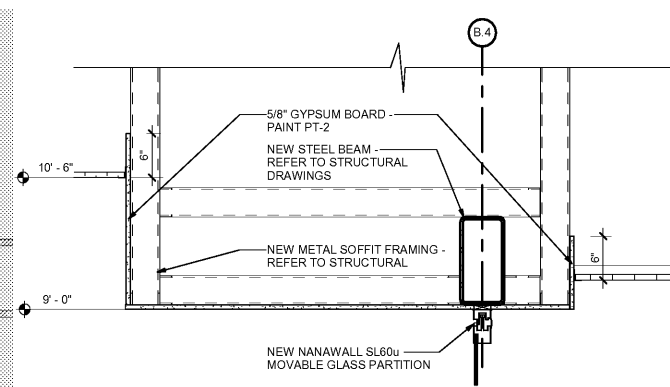


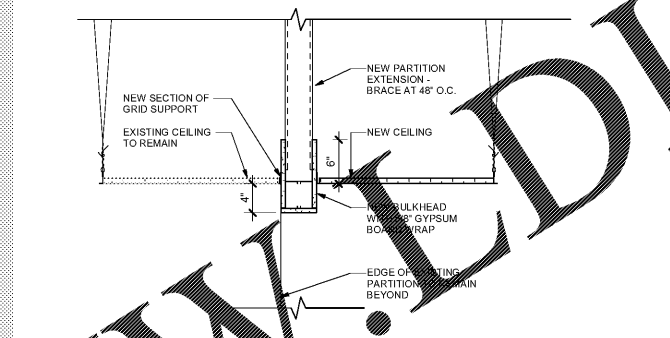
Order Plans @ WWW.DILING.COM



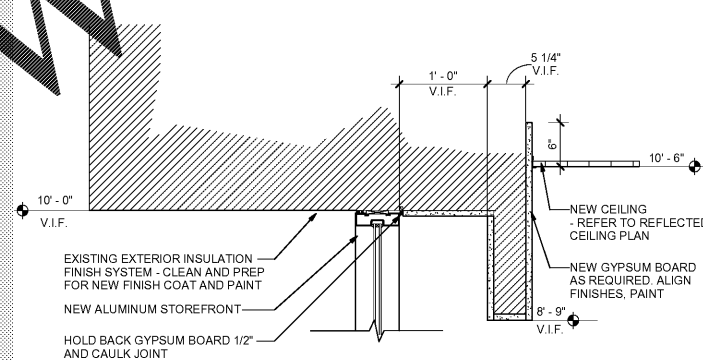
1 New Reflected Ceiling Plan
 A4.1 1/8" = 1'-0"



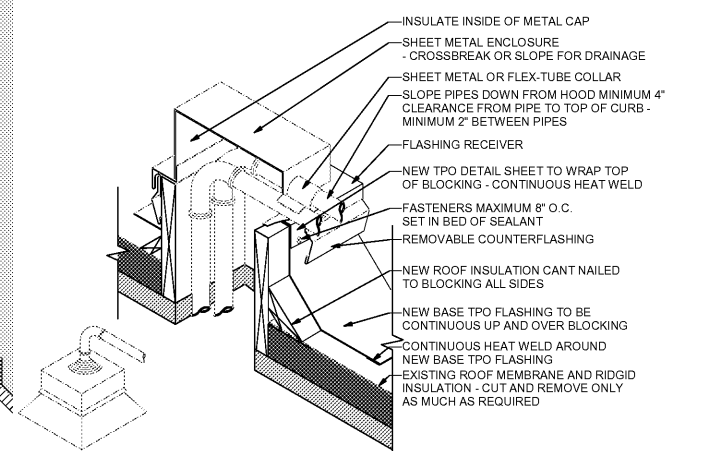
2 Section at Operable Partition Bulkhead
 A4.1 1" = 1'-0"



3 New Bulkhead Detail
 A4.1 1" = 1'-0"



4 Existing Bulkhead Detail at Storefront
 A4.1 1" = 1'-0"

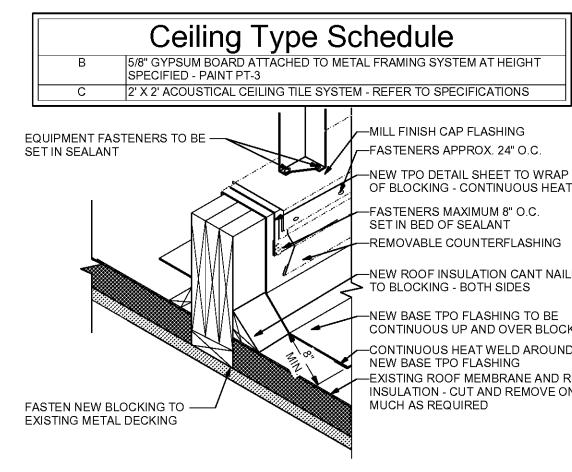


5 Roof Penetration Detail
 A4.1 1" = 1'-0"

- ### Ceiling General Notes
- CENTER CEILING GRIDS IN BOTH DIRECTIONS IN EACH ROOM WITH LAY-IN CEILING. INSTALL CEILING TRACKS MINIMUM 6" FROM WALL SURFACES IN ALL DIRECTIONS.
 - FOR SPECIFICATIONS OF EACH FIXTURE TYPE REFER TO ELECTRICAL.
 - CENTER ALL SPRINKLER HEADS IN CEILING TILES WHERE APPLICABLE.
 - PRODUCT TYPES INDICATED ARE BASIS OF DESIGN. REFER TO SPECIFICATIONS.
 - COORDINATE CEILING LIGHT FIXTURE WITH HVAC GRILLS. CONTACT ARCHITECT IF CONFLICT OCCURS.
 - PROVIDE ADEQUATE ACCESS AND LABEL CEILING TRACKS FOR EQUIPMENT, FITTINGS, VALVES, ETC. THAT ARE NOT EXPOSED ABOVE CEILING AND BEHIND WALL FINISHES. OPENINGS SHALL BE PROTECTED AS APPROPRIATE FOR THE FIRE RESISTANCE RATING OF THE BARRIER PER NFPA. REFER TO SAFETY CODE. REFER TO SIGNAGE SPECIFICATIONS.
 - EXISTING LAY-IN ACOUSTICAL CEILING IS TO REMAIN AS INDICATED.
 - OWNER MAY ELECT TO REMOVE EXISTING CEILING TILES. CARE SHALL BE TAKEN IN REMOVING TO REUSE EXISTING CEILING TILES FOR RE-USE.
 - ANY EXISTING CEILING ELEMENTS NOT INDICATED ON PLANS, WHICH CONFLICT WITH NEW LAYOUT SHALL BE RELOCATED BY THE CONTRACTOR. LOCATION TO BE APPROVED BY OWNER. NOTIFY ARCHITECT IMMEDIATELY OF ANY CONFLICTS OR DISCREPANCIES.
 - SOME REINFORCEMENT OF CEILING GRID MAY BE NECESSARY IN AREA WHERE FULL HEIGHT WALLS (TO STRUCTURE) ARE REMOVED OR ADDED. AND AT AREAS RECEIVING NEW BULKHEAD. THE INTENT IS FOR THE GRID TO BE UNIFORM. TERMINATION OF ANY INCONSISTENT GRID SHALL OCCUR ON TOP OF NEW OR EXISTING WALLS TO MAINTAIN UNIFORM APPEARANCE. BULKHEADS MAY BE ACCEPTABLE AT TRANSITION AREAS WITH PRIOR APPROVAL BY THE OWNER.
 - REFER TO MECHANICAL DRAWINGS FOR NEW SUPPLY DIFFUSER AND RETURN GRILLE LAYOUT. LAYOUT OF DIFFUSERS AND GRILLES TO BE ADJUSTED TO ELIMINATE CONFLICTS IN LIGHTING LAYOUT, IF SUCH CONDITIONS EXIST.
 - PROVIDE NEW CEILING EXPANSION JOINTS WHERE NECESSARY.
 - REFER TO ELECTRICAL DRAWINGS FOR LIGHTING LAYOUT AND FIXTURE SCHEDULE.
 - CONTRACTOR SHALL RELOCATE EXISTING SPEAKERS FOR PA SYSTEM TO LOCATIONS INDICATED. ALL WIRING CONNECTIONS AND SUPPORTS SHALL EXTEND TO HEAD END EQUIPMENT AND MATCH EXISTING SYSTEM. REFER TO ELECTRICAL FOR ADDITIONAL NOTES.
 - PROVIDE HOLD DOWN CLIPS FOR ALL TILES AT VESTIBULE 101.

RCP Legend

CEILING TYPE	CEILING HEIGHT
	A 8'-6"



6 Roof Equipment Rail Detail
 A4.1 1" = 1'-0"



PRECISION Planning Inc.
 planners • engineers • architects • surveyors
 400 Pike Boulevard,
 Lawrenceville, GA 30046
 770.538.6000 • www.ppi.us

**GWINNETT COUNTY
 VOTER REG. AND
 ELEC. RENOVATION**
 455 Grayson Hwy
 Lawrenceville, GA 30046

NEW REFLECTED CEILING PLAN, NOTES AND DETAILS
 DESIGN: PPI
 DRAWN: MEF
 CHECKED: BKS
 PROJECT SHEET TITLE

Date	Description
02-13-19	RELEASED FOR BID

DATE: 02-13-19
 PROJ. NUMBER: A16-137AGSB
 FILE NAME: XXX.nvt
 FILE NUMBER:

A4.1