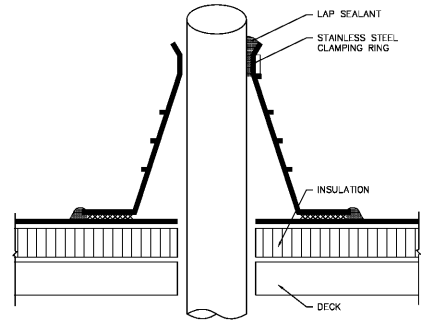


- NOTES:
1. FLANGE OF PIPE BOOT MUST BE LEVEL.
  2. DO NOT OVERLAP PIPE BOOT FLANGES.
  3. DO NOT CUT & PATCH PIPE BOOTS.
  4. DO NOT USE PIPE BOOTS FOR CLUSTERS OF PIPES.



- NOTES:
1. PIPE BATTEN REQUIRED WHEN THIS DETAIL IS USED ON MECHANICALLY ANCHORED SYSTEMS.
  2. REMOVE ALL EXISTING FLASHING, LEADS ETC. PIPE SURFACE MUST BE FREE OF ALL RUST, GREASE, ETC.
  3. PIPE MUST BE ANCHORED TO BOTTOM SIDE OF DECK TO ASSURE STABILITY.
  4. INSTALL PER ROOFING MANUFACTURER'S RECOMMENDATIONS.

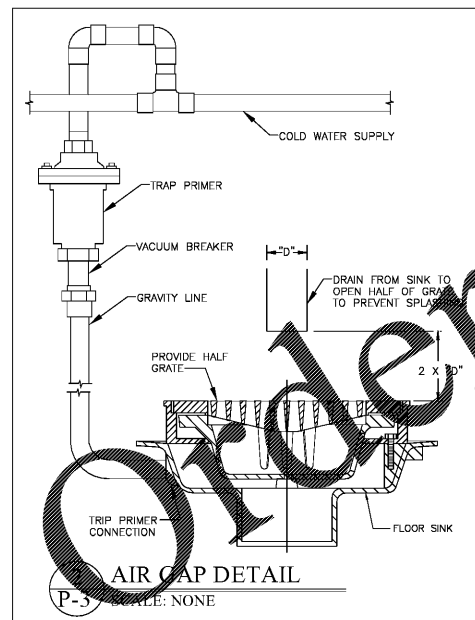
**1 PIPE PENETRATION OF ROOF**  
P-3 SCALE: NONE

**SIZING FORMULA FOR GREASE INTERCEPTORS:**

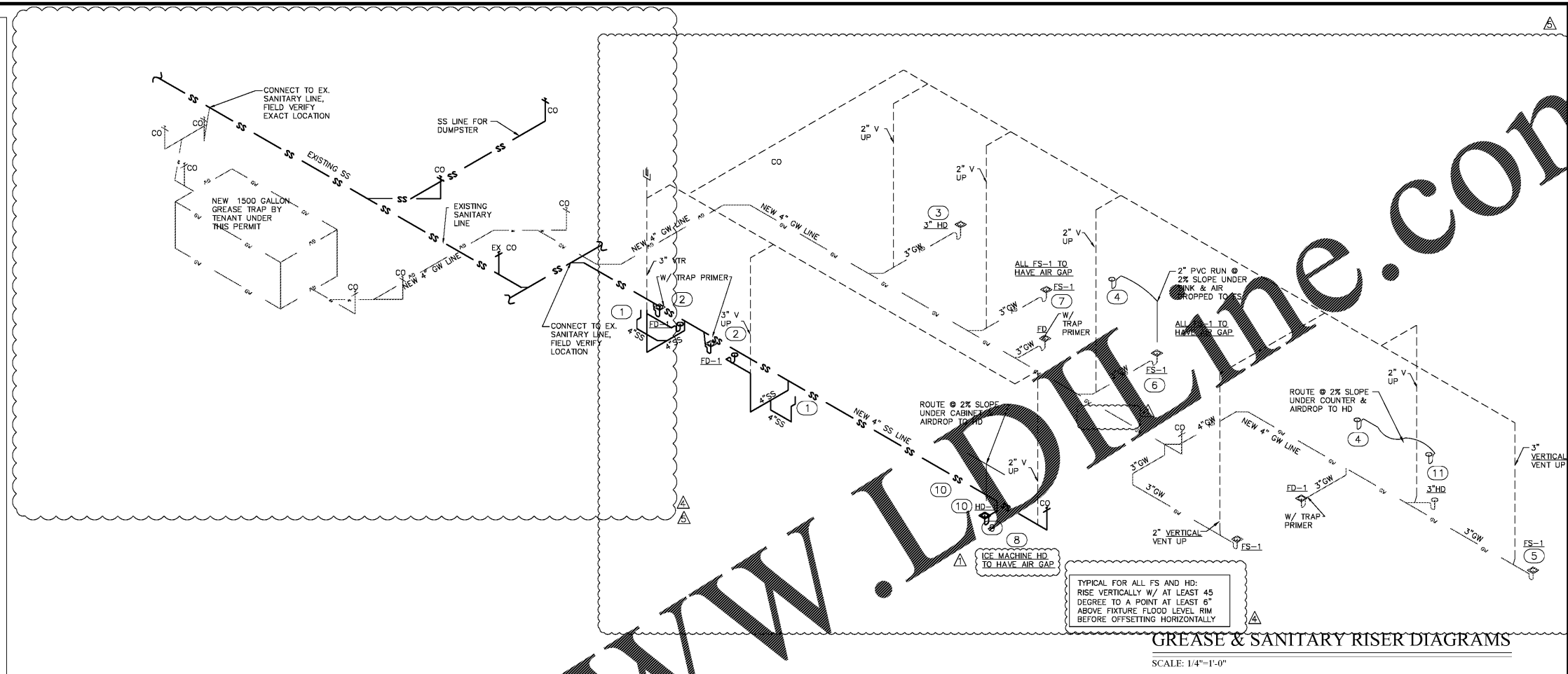
SIZING FORMULA FOR RESTAURANTS:  
 $(S) \times (GS) \times (HR) \times (LF) / 12 = \text{EFFECTIVE CAPACITY OF GREASE INTERCEPTOR IN GALLONS}$   
 $(46+34 \text{ SEATS}) \times (25) \times (12) \times (0.75) / 12 = 1500 \text{ GALLONS}$   
 PROVIDED: (1) NEW 1500 GAL GREASE TRAP

PROVIDED: (1) NEW 1500 GAL GREASE TRAP  
 TOTAL OF (1) 1500 GALLON GREASE TRAP(S)

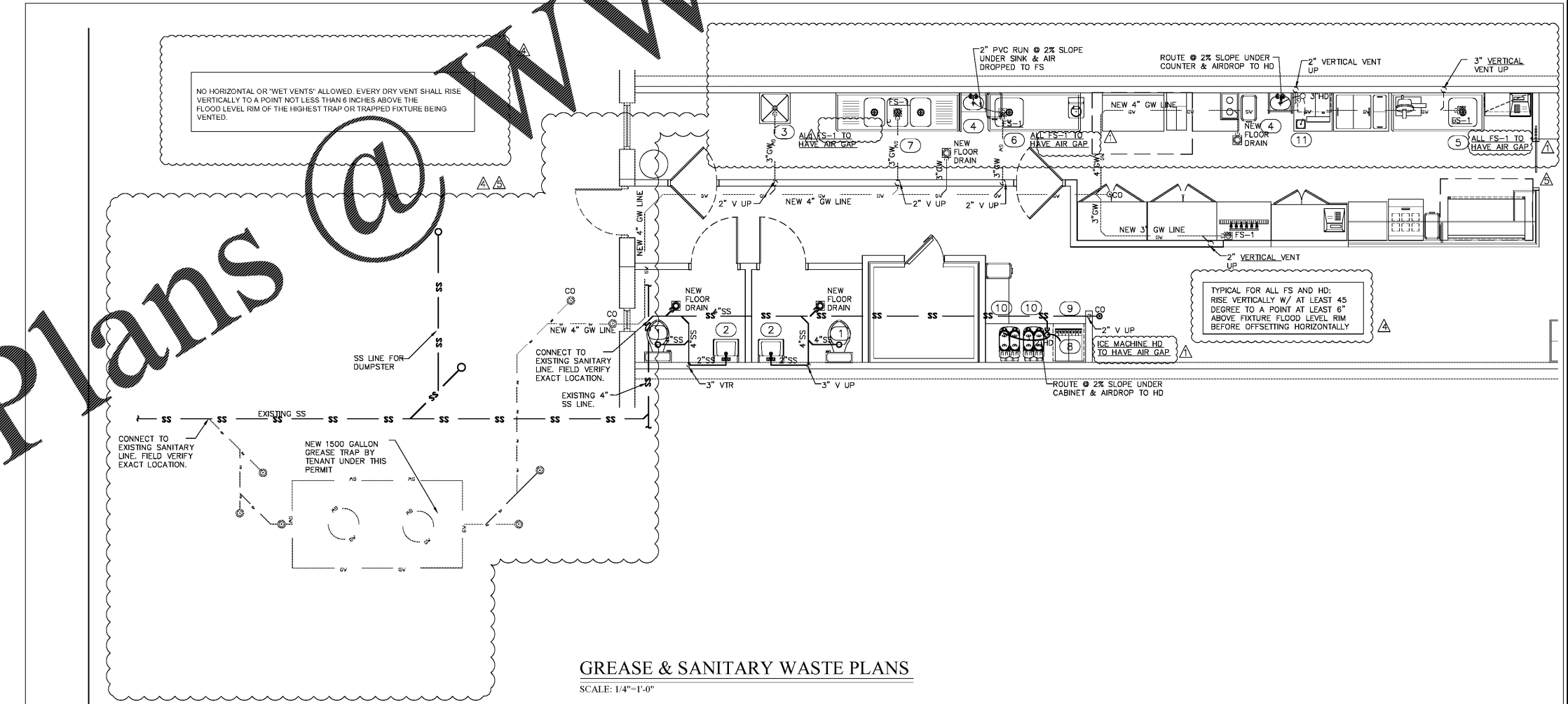
S = NUMBER OF SEATS IN DINING AREA + PROPOSED PATIO.  
 GS = GALLONS OF WASTE WATER PER SEAT ( USE 25 GALLONS PER SEAT)  
 HR = NUMBER OF HOURS RESTAURANT IS OPEN  
 LF = LOADING FACTOR ( USE 2.00 INTERSTATE HIGHWAY; 1.50 OTHER FREEWAYS; 1.25 RECREATIONAL AREA; 1.00 MAIN HIGHWAYS; 0.75 OTHER HIGHWAY)



**AIR CAP DETAIL**  
P-3 SCALE: NONE



**GREASE & SANITARY RISER DIAGRAMS**  
SCALE: 1/4"=1'-0"



**GREASE & SANITARY WASTE PLANS**  
SCALE: 1/4"=1'-0"

FIRM NAME AND ADDRESS:  
**NEW SPACE DESIGN, INC.**  
 3331 NORTH BERKELEY LAKE ROAD  
 SUITE 200, DULUTH, GA 30096  
 PHONE: (404) 217-3458  
 OFFICE: (770) 783-2768  
 newspace@gmail.com



REVISIONS

1	02/5/2018: HEALTH DEPARTMENT NOTES
2	02/6/2018: LANDLORD NOTES
3	02/23/2018: SAP
4	09/21/2018: CITY COMMENTS
5	11/07/2018: CITY COMMENTS

RELEASED FOR CONSTRUCTION

PROJECT NAME AND ADDRESS:  
**INTERIOR RENOVATION PLAN FOR WOODY'S CHEESE STEAKS**  
 45 IRBY AVE.  
 ATLANTA, GA. 30305

DATE: 01/29/18

SHEET TITLE:  
**GREASE & SEWER WASTE PLAN**  
 SHEET NUMBER:  
**P-3**