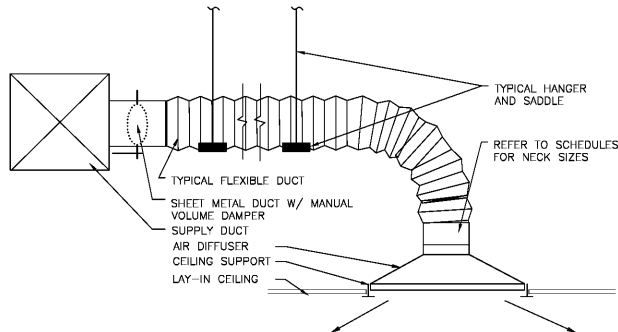


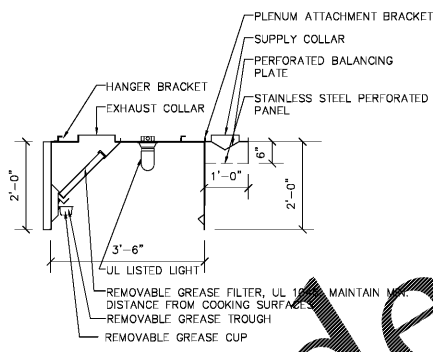
1 KITCHEN HOOD DETAIL

M-1 SCALE: NONE



3 CEILING DIFFUSER RUNOUT

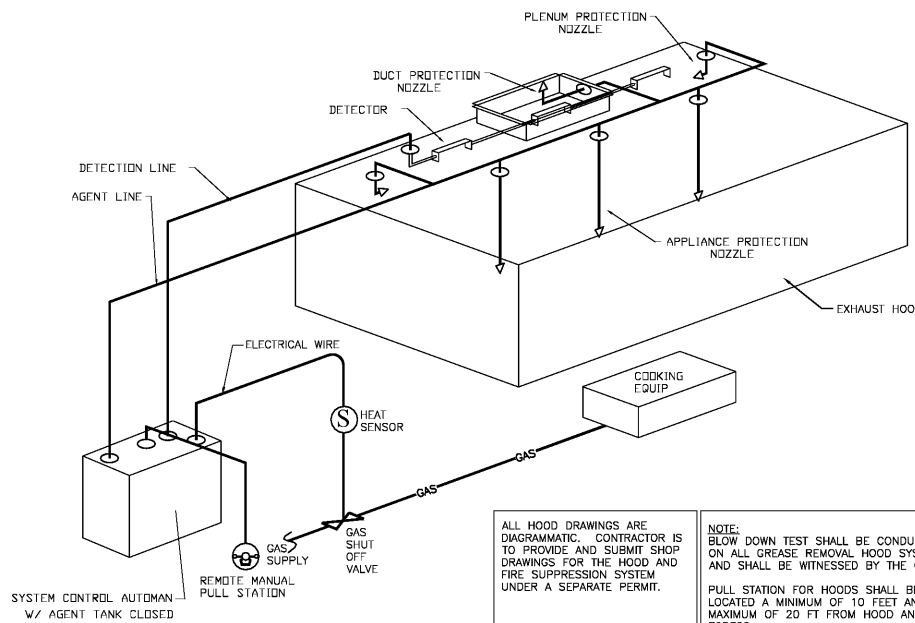
M-1 SCALE: NOT TO SCALE



TYPE OF COOKING APPLIANCE	HEIGHT COOKING SURFACE (F)
WITHOUT ROISED BURNER	3.5
EXPOSED BURNER & BURNER	2.0
EXPOSED CHARBROIL & CHARBROIL	3.5

4 HOOD SECTION/FILTER DTL

M-1 SCALE: 1/4"=1'-0"



2 ANSUL FIRE SYSTEM LAYOUT W/ REMOTE MOUNTED AUTOMAN

M-1 SCALE: NONE

ALL HOOD DRAWINGS ARE DIAGRAMMATIC. CONTRACTOR IS TO PROVIDE AND SUBMIT SHOP DRAWINGS FOR THE HOOD AND FIRE SUPPRESSION SYSTEM UNDER A SEPARATE PERMIT.

NOTE: BLOW DOWN TEST SHALL BE CONDUCTED ON ALL GREASE REMOVAL HOOD SYSTEMS AND SHALL BE WITNESSED BY THE CITY

PULL STATION FOR HOODS SHALL BE LOCATED A MINIMUM OF 10 FEET AND MAXIMUM OF 20 FT FROM HOOD AND IN EGRESS

LIGHT TEST SHALL BE CONDUCTED ON HOOD AND WITNESSED BY CITY

OUTSIDE AIR VENTILATION REQUIREMENTS

DINING AREA:
(670 SF*70P/1000SF * 7.5 CFM/PERSON) + (670 S.F. * 0.18 CFM/S.F.) = 352+120=472 CFM

REQUIRED OUTSIDE AIR: 472
PROVIDED OUTSIDE AIR: 600
NOTE: RESET OUTSIDE AIR CFM FOR RTU AS FOLLOWS:
AHU-1: 260
AHU-2: 340

*PER IMC SECTION 403 TABLE 403.3

NEW ELECTRIC FAN SCHEDULE

MARK	CFM	S.P.	HP	SERVICE	BASIS OF DESIGN (PDI)	NOTES
EF-1	1,800	0.625"	0.5	EXHAUST AIR (H-1)	PDI-165V5B, COOK	1
EF-2	1,950	0.625"	0.5	EXHAUST AIR (H-2)	PDI-165V5B, COOK	1
EF-3	75	0.25"	75W	NEW RESTROOMS	PENN ZEPHYR ZT	3
EF-4	75	0.25"	75W	NEW RESTROOMS	PENN ZEPHYR ZT	3
MAU-1	3,300	0.375"	1.5	MAKEUP AIR(H-1&2)	PDI-SAF12-150	1,2

- PROVIDED WITH SINGLE FULL FACTORY ROOF CURB
- FAN TO BE INTERLOCKED WITH HOOD SYSTEM EXHAUST.
- INTERLOCK FAN WITH ROOM LIGHTS.

NEW HOOD SCHEDULE

MARK	EXHAUST	SUPPLY	LENGTH	WIDTH	BASIS OF DESIGN	NOTES
H-1	1,800	1,550	6'-0"	3'-6"	BR	1,2
H-2	1,950	1,750	6'-6"	3'-6"	PDI-E	1,2

- PERMIT BY OTHERS
- PROVIDE FIRE SUSPENSION SYSTEM, PERMIT BY OTHERS

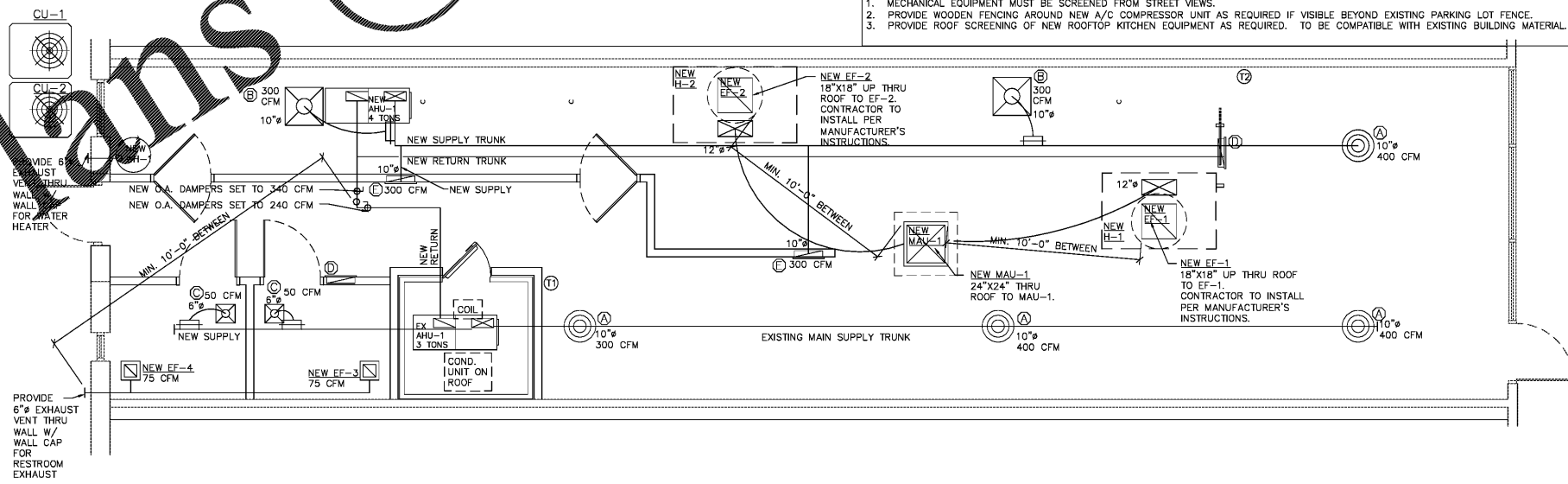
AIR BALANCE

FAN MARK	EXHAUST (CFM)	MAKEUP (CFM)
EF-1	1,800	-
EF-2	1,950	-
EF-3	-	-
EF-4	-	-
MAU-1	-	3,300
AHU-1	-	600
NET	3,900	3,900

NEW SPLIT SYSTEM SCHEDULE

MARK	INDOOR FAN			COOLING		HEATING		SOURCE	MANUFACTURE	MODEL	COOLANT	O.A. CFM	EER @ARI	WEIGHT	COMMENTS		
	CFM	S.P.	BHP	TOTAL (MBH)	SENS (MBH)	E.A.D.B. (F)	AMB. (F)									BTUH	E.A.D.B. (F)
EX_AHU-1	1,200 (3 TON)	0.6"	1/2	24.3	36	80	96	12,300	65	ELEC	EXISTING				EXISTING		
NEW_AHU-2	1,600 (4 TON)	0.6"	1/2	24.3	36	80	96	15,300	65	ELEC	TRANE	39SH04 OR SIMILAR	R-410A	340	12	151	NEW

- LANDLORD NOTES:**
- PROVIDE STRUCTURAL ENGINEER LETTER ON METHOD & ADDITIONAL ROOF BRACING, IF NECESSARY, TO SUSPEND THE SOFFIT AND HOODS.
 - ALL ROOF PENETRATIONS TO BE APPROVED BY LANDLORD CONTRACTOR.
- ZONING NOTES:**
- MECHANICAL EQUIPMENT MUST BE SCREENED FROM STREET VIEWS.
 - PROVIDE WOODEN FENCING AROUND NEW A/C COMPRESSOR UNIT AS REQUIRED IF VISIBLE BEYOND EXISTING PARKING LOT FENCE.
 - PROVIDE ROOF SCREENING OF NEW ROOFTOP KITCHEN EQUIPMENT AS REQUIRED, TO BE COMPATIBLE WITH EXISTING BUILDING MATERIAL.



NOTE: MINIMUM 10'-0" CLEARANCE MUST BE PROVIDED BETWEEN ANY EXHAUST AND FRESH AIR INTAKES.

LEGEND

	SUPPLY DIFFUSER
	RETURN GRILLE
	SPIN-IN
	THERMOSTAT
	FLEXIBLE DUCT
	VOLUME DAMPER
	BUTTERFLY DAMPER
	SMOKE DETECTOR

PROPOSED MECHANICAL PLAN

SCALE: 1/4"=1'-0"

- MECHANICAL NOTES:**
- ALL MECHANICAL EQUIPMENT SHALL BE INSTALLED IN ACCORDANCE WITH MANUFACTURER'S RECOMMENDATIONS AND LOCAL CODES.
 - DUCT SIZES ARE SHOWN AS CLEAR INSIDE DIMENSIONS. PROVIDE FLEXIBLE CONNECTIONS WHERE DUCTS CONNECT TO UNIT.
 - ALL DUCTWORK SHALL BE GALVANIZED SHEET METAL OR FIBROUS DUCT BOARD AND SHALL BE FABRICATED AND INSTALLED IN ACCORDANCE WITH SMACNA LOW PRESSURE DUCT CONSTRUCTION STANDARDS. DUCT HANGERS AND SUPPORTS SHALL BE IN ACCORDANCE WITH SMACNA RECOMMENDATIONS.
 - INSULATE ALL SUPPLY AND RETURN DUCT WITH SEMI RIGID BONDED FIBERGLASS HAVE A MINIMUM INSULATION VALUE IN ACCORDANCE WITH ASHRAE 90.1 2004. INSULATE DUCTWORK IN ACCORDANCE WITH SMACNA DUCT WRAP APPLICATIONS STANDARDS. INSULATE DUCTWORK IN THE FIRST TEN FEET OF RETURN AND SUPPLY DUCTS OR TO THE FIRST ELBOW. DUCTWORK ELBOWS SHALL BE INSTALLED WITH DOUBLE THICK TURNING VANES.
 - OBTAINING ALL REQUIRED PERMITS AND PAYING ALL FEES SHALL BE THE RESPONSIBILITY OF THE CONTRACTOR.
 - ALL CONTROL WIRING SHALL BE RUN INSIDE WALLS OR ABOVE CEILING UNFINISHED AREAS. ROUTE CONTROL WIRING INSIDE CONDUIT IN JOIST SPACE. PROVIDE PROGRAMMABLE THERMOSTAT TO BE MOUNT THERMOSTATS 5'-6" A.F.F.
 - PROVIDE DEEP SEAL TRAP AND GATE DRAIN FROM ROOF AT ALL ROOFTOP UNITS. ROUTE TO SPLASH BLOCK ON ROOF.
 - THE MECHANICAL DRAWINGS ARE DIAGRAMMATIC AND SHOW THE RELATIONSHIP BETWEEN EQUIPMENT AND CONNECTIONS. DO NOT SCALE THE DRAWINGS FOR EXACT SIZE OR LOCATIONS. BUILDING DIMENSIONS SHALL BE TAKEN FROM ARCH. PLANS AND EQUIPMENT DIMENSIONS SHALL BE TAKEN FROM EQUIPMENT DATA.
 - SMOKE DETECTORS SHALL BE PROVIDED FOR FANS OVER 2,000 CFM AND BE LOCATED IN THE RETURN AIR DUCT AREA. IF ANY BRANCH CONNECTIONS, SMOKE DETECTORS SHALL BE INSTALLED IN EACH BRANCH.
 - CONTRACTOR TO COORDINATE VOLTAGE AND PHASE OF EACH PIECE OF EQUIPMENT WITH ELECTRICAL CONTRACTOR BEFORE ORDERING EQUIPMENT.
 - LOCATION OF ALL PENETRATIONS SHALL BE COORDINATED WITH ARCHITECTURAL AND STRUCTURAL DRAWINGS.
 - EXACT LOCATION OF ALL CEILING DIFFUSERS TO BE COORDINATED WITH ARCHITECTURAL REFLECTED CEILING PLAN.
 - ALL FANS 1/8 H.P. AND ABOVE SHALL HAVE FUSED DISCONNECT SWITCHES MOUNTED AT THE FAN. IF APPROVED BY LOCAL AUTHORITIES, NON-FUSED DISCONNECT SWITCHES MAY BE USED. DISCONNECTS PROVIDED BY ELECTRICAL CONTRACTOR.
 - CONTRACTOR TO COORDINATE ALL CLEARANCES PRIOR TO INSTALLATION OF EQUIPMENT.
 - SPIN-IN TAKE-OFF TO BE MADE WITH GENFLEX MODEL SM-1 DEL OR EQUIVALENT.
 - FLEXIBLE DUCT TAKE-OFF TO BE THERMAFLEX TYPE M-KE OR EQUIVALENT.
 - PROVIDE PROGRAMMABLE THERMOSTAT STAT FOR AHU FOR COMPLIANCE WITH SECTION 6.4.3 OF ANSI/ASHRAE/IESNA STANDARD 90.1-2004 OR IECC 503.2.4.
 - PROVIDE AND INSTALL MOTORIZED SHUTOFF CONTROL DAMPERS PER 2007 FBC CHAPTER 13 SECTION 409.ABC 3.3.
 - PROVIDE PROGRAMMABLE THERMOSTAT STAT FOR AHU FOR COMPLIANCE WITH SECTION 6.4.3 OF ANSI/ASHRAE/IESNA STANDARD 90.1-2004 OR IECC 503.2.4.
 - EXISTING RTU LOCATIONS AND THEIR ASSOCIATED DUCT WORK LOCATION AND LAYOUT SHOWN ARE APPROXIMATE. IT IS CONTRACTOR'S RESPONSIBILITY TO MAKE FIELD ADJUSTMENTS AS NEEDED TO AVOID ANY POTENTIAL DUCT CONFLICTS. REPORT TO THE ARCHITECT IMMEDIATELY FOR ANY DISCREPANCIES BETWEEN THIS PLAN AND FIELD CONDITIONS FOR CLARIFICATIONS.

FIRM NAME AND ADDRESS
NEW SPACE DESIGN, INC.
3331 NORTH BERRY LANE ROAD
SUITE 200, DULUTH, GA 30096
PHONE: (404) 217-3458
OFFICE: (770) 783-2768
newspace@gmail.com



- REVISIONS**
- 02/05/2018: HEALTH DEPARTMENT NOTES
 - 02/06/2018: LANDLORD NOTES
 - 02/23/2018: SAP
 - 09/21/2018: CITY COMMENTS
 - 11/07/2018: CITY COMMENTS

RELEASED FOR CONSTRUCTION

PROJECT NAME AND ADDRESS
INTERIOR RENOVATION PLAN FOR WOODY'S CHEESE STEAKS
45 IRBY AVE.
ATLANTA, GA. 30305

DATE
01/29/18

SHEET TITLE
MECHANICAL PLAN & DETAILS

SHEET NUMBER
M-1