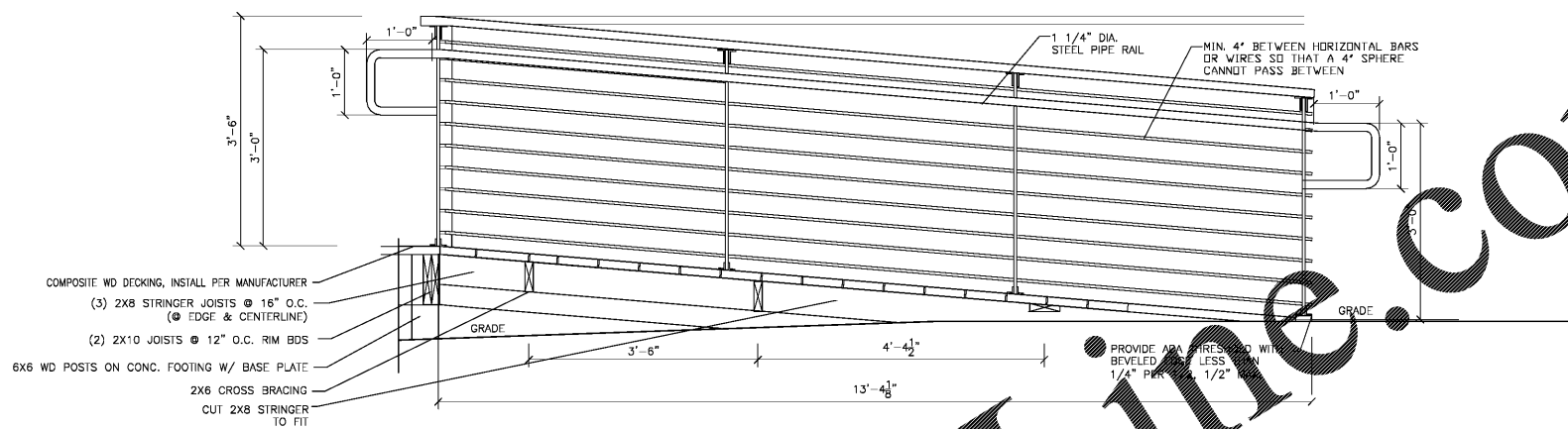
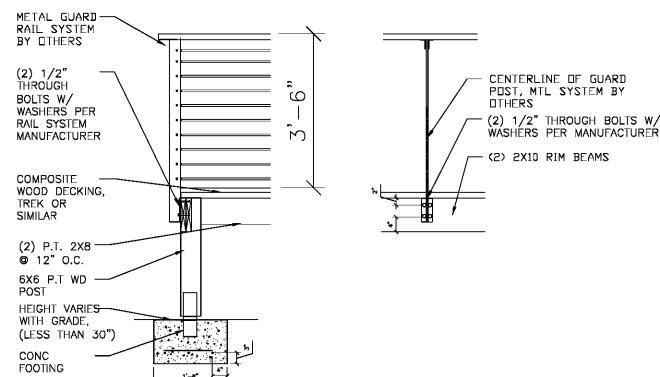


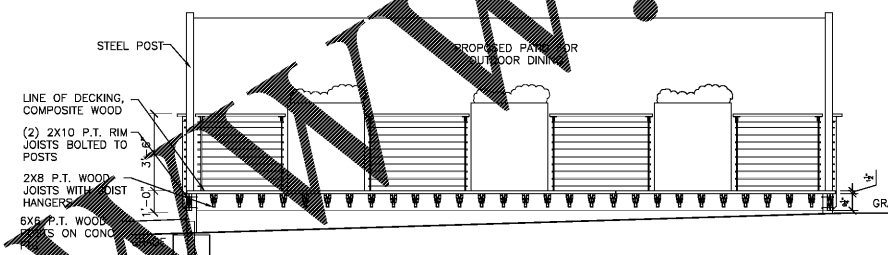
5 CONC. DECK FOOTING DETAIL
A-5 SCALE: 1/2"=1'-0"



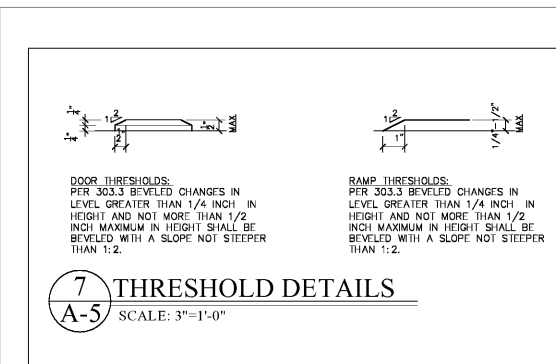
3 RAMP LONGITUDINAL SECTION
A-5 SCALE: 1/4"=1'-0"



4 PROPOSED DECK RAILING DETAILS
A-5 SCALE: 1/2"=1'-0"



2 DECK LONGITUDINAL SECTION
A-5 SCALE: 1/4"=1'-0"



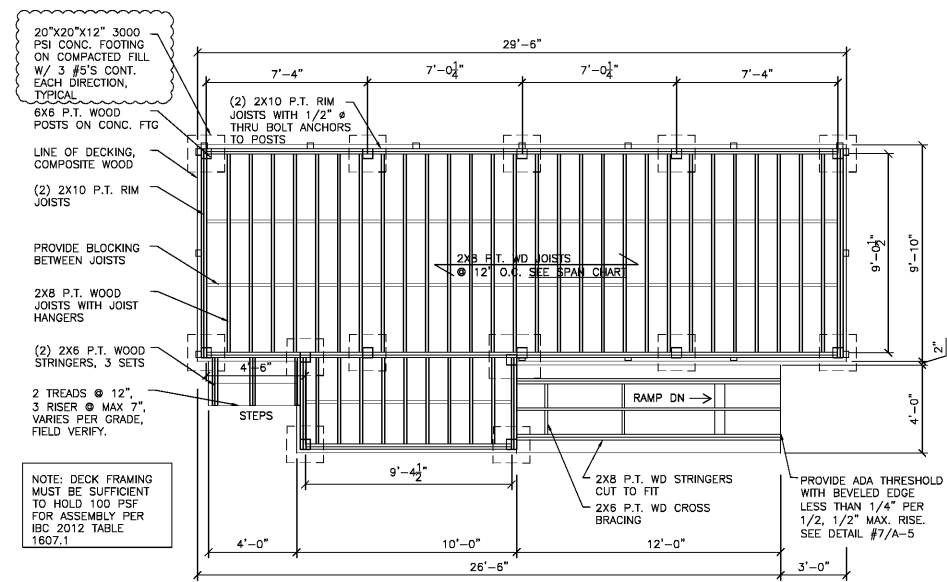
7 THRESHOLD DETAILS
A-5 SCALE: 3"=1'-0"

DECK JOIST SPAN IS 9'-0". WE ARE SELECTING 2X8 No2 SYP (OR BETTER) @ 12" O.C., PRESSURE TREATED. PROVIDE CROSS BRACING & MIN. 1.5" BEARING @ ENDS. FLOOR JOIST SPAN FOR 100PSF LIVE LOAD, 10PSF DEAD LOAD & 360 DEFLECTION* FOR WET SERVICE (EXTERIOR) CONDITIONS. MAX SPANS FOR SOUTHERN YELLOW PINE

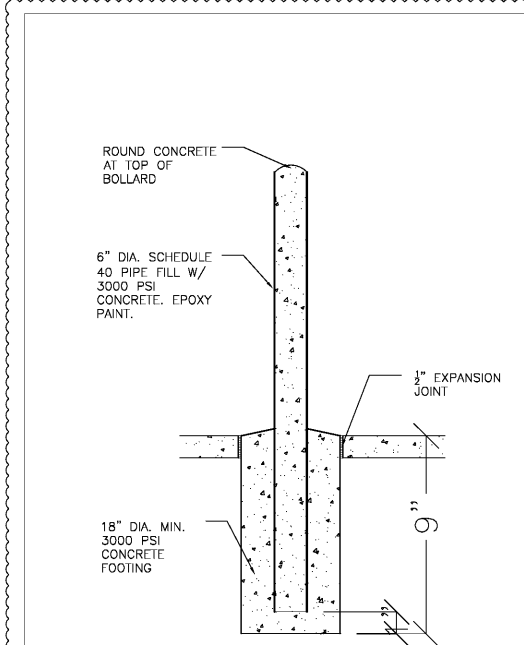
FLOOR JOIST SIZE	SPACING (INCHES ON CENTER)	VISUAL GRADE	
		No1	No2
2X6	12	7	7-3
	16	6-9	6-3
	24	5-6	5-2
2X8	12	9-10	8-7
	16	8-7	8-4
	24	7-0	6-6
2X10	12	12-6	10-11
	16	10-10	9-5
	24	8-10	7-9
2X12	12	14-10	12-10
	16	12-10	11-2
	24	10-4	9-1

*SOUTHERN FOREST PRODUCTS ASSOCIATION, C 2015

WIND LOADS:
ULTIMATE DESIGN WINDSPEED: V_{ult} (3 SECOND GUST) - 115 MPH
NOMINAL DESIGN WINDSPEED: V_{nd} (3 SECOND GUST) - 90 MPH
RISK CATEGORY: II
EXPOSURE: B
INTERNAL PRESSURE COEFFICIENT (C_{pi}) - 0.18 +/-
ENCLOSURE CLASSIFICATION - OPEN BUILDING
BUILDING CLASSIFICATION - LOW RISE



1 DECK FOUNDATION & FRAMING PLAN
A-5 SCALE: 1/4"=1'-0"



6 PIPE BOLLARD DETAIL
A-5 SCALE: 3/4"=1'-0"

FIRM NAME AND ADDRESS
NEW SPACE DESIGN, INC.
3331 NORTH BERKELEY LAKE ROAD
SUITE 200, DULUTH, GA 30096
PHONE: (404) 217-3458
OFFICE: (770) 783-2768
newspace@gmail.com



REVISIONS

- 02/5/2018: HEALTH DEPARTMENT NOTES
- 02/6/2018: LANDLORD NOTES
- 02/23/2018: SAP
- 09/21/2018: CITY COMMENTS
- 11/07/2018: CITY COMMENTS

RELEASED FOR CONSTRUCTION

PROJECT NAME AND ADDRESS
INTERIOR RENOVATION PLAN FOR
WOODY'S CHEESE STEAKS
45 IRBY AVE.
ATLANTA, GA. 30305

DATE
01/29/18

SHEET TITLE
DECK DETAILS

SHEET NUMBER
A-5

Order Plans @