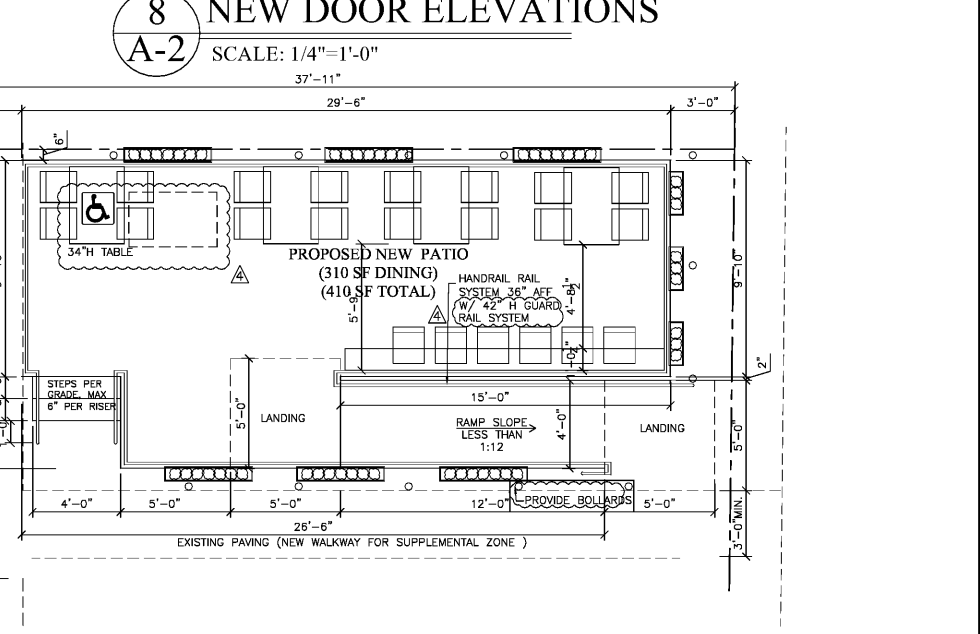
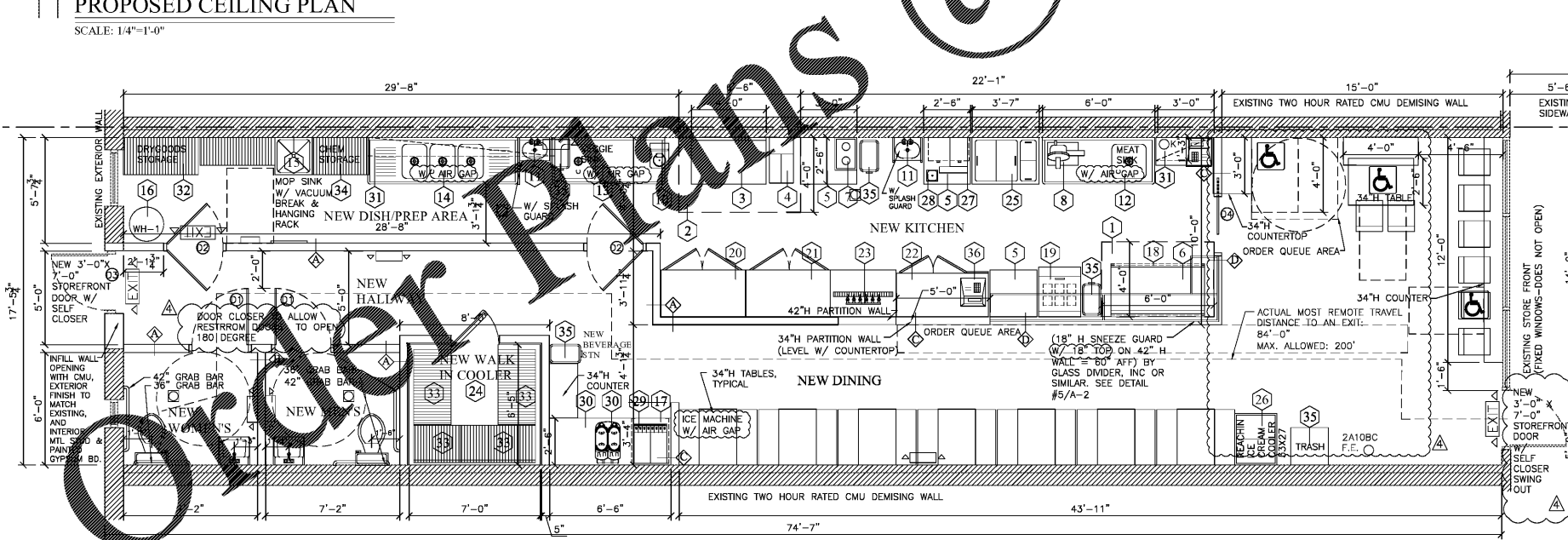
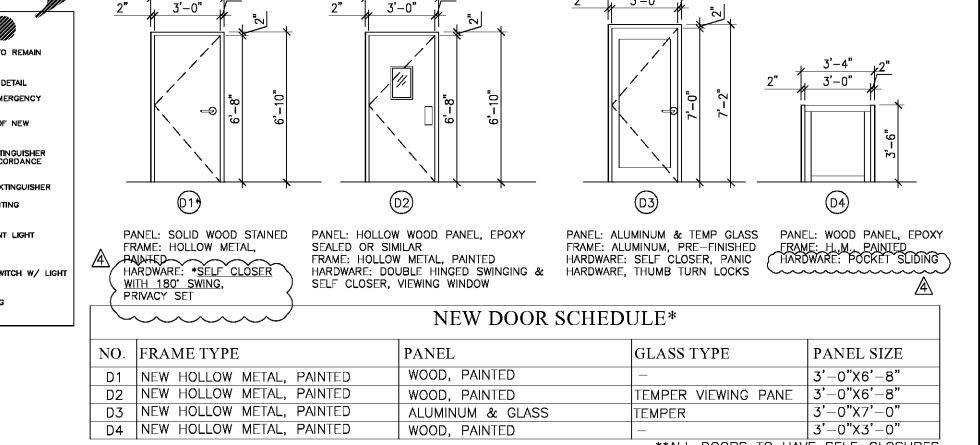
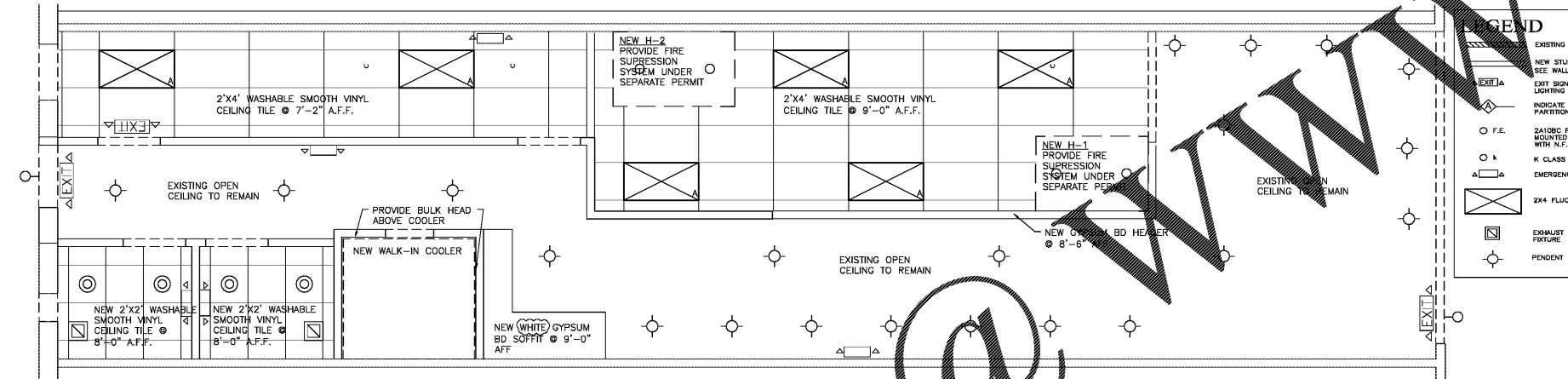
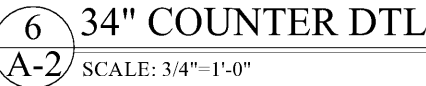
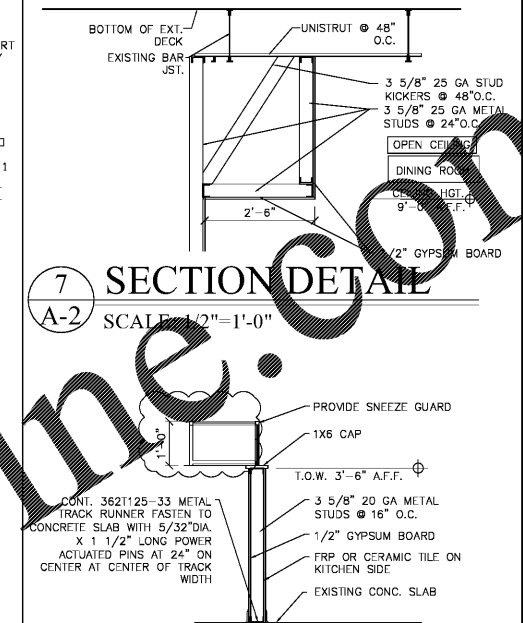
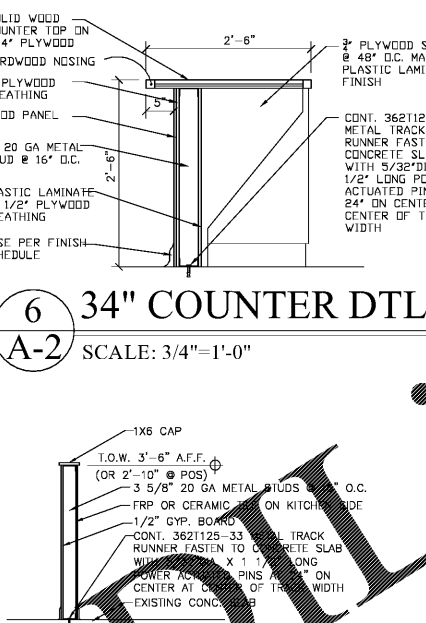
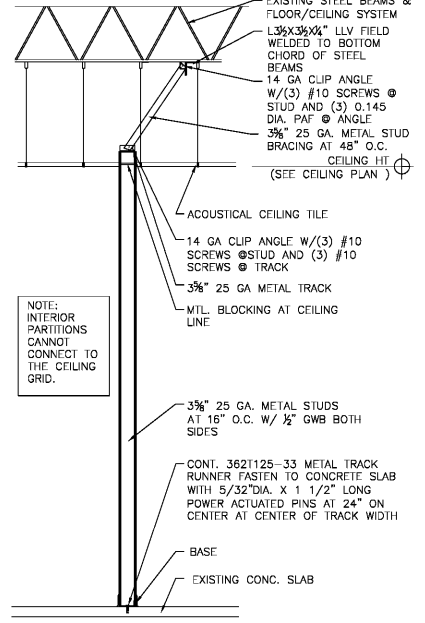
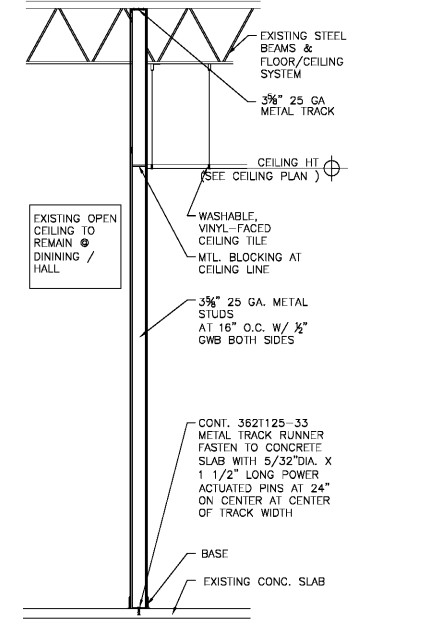
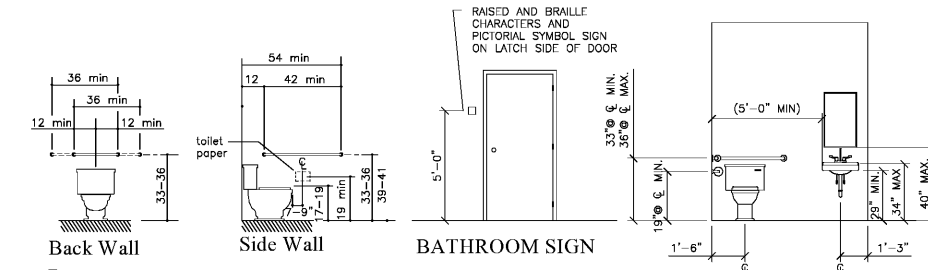


INTERIOR FINISH SCHEDULE

ROOM	FLOOR	BASE	WALLS	CEILING	FLG HT
NEW DINING	SEALED CONC.	NEW C.I.	NEW GYPSUM BD, LATEX PAINT	EXISTING OPEN CEILING, PAINTED	11'-2"
NEW HALLWAY	SEALED CONC.	NEW C.I.	NEW GYPSUM BD, LATEX PAINT	EXISTING OPEN CEILING, PAINTED	11'-2"
NEW BEVERAGE STN	SEALED CONC.	NEW COVE C.T.	NEW CERAMIC TILE OR EPOXY PAINT, LIGHT	NEW GYPSUM BD W/ EPOXY FOODGRADE PAINT, WHITE	9'-0"
NEW RESTROOMS	SEALED CONC.	NEW COVE C.T.	NEW CERAMIC TILE	NEW 2'x2' SMOOTH, WASHABLE VINYL-FACED CLG TILE	8'-0"
NEW KITCHEN	NEW QUARRY TILE	NEW COVE Q.T.	FRP OR SEALED CERAMIC TILE, WHITE	NEW 2'x4' SMOOTH, WASHABLE VINYL-FACED CT	9'-0"
NEW PREP/DISHWASH	NEW QUARRY TILE	NEW COVE Q.T.	FRP OR SEALED CERAMIC TILE, WHITE	NEW 2'x4' SMOOTH, WASHABLE VINYL-FACED CT	7'-2"
WALK-IN COOLER	NEW QUARRY TILE	NEW COVE Q.T.	INSULATED MTL WALL PANELS	NEW INSULATED MTL CEILING PANELS	8'-0"

C.T. = CERAMIC TILE
 Q.T. = QUARRY TILE, NOTE COVE BASE MUST BE FLUSH WITH THE FLOORING/SEALANT.
 EX. = EXISTING
 PT. = PAINT WASHABLE, FOOD GRADE EPOXY PAINT (BY SHERWIN WILLIAMS OR SIMILAR), IN WHITE OR LIGHT COLORS
 CLG=CEILING

NOTE: PROVIDE LIGHT SHIELDS OR SHATTER-PROOF BULBS ABOVE ANY SERVICE OR FOOD PREP AREAS



FIRM NAME AND ADDRESS
NEW SPACE DESIGN, INC.
 3331 NORTH BERRY LANE ROAD
 SUITE 200, DULUTH, GA 30096
 PHONE: (404) 217-3458
 OFFICE: (770) 783-2768
 newspace@gmail.com



REVISIONS

- 02/05/2018: HEALTH DEPARTMENT NOTES
- 02/06/2018: LANDLORD NOTES
- 02/23/2018: SAP
- 09/21/2018: CITY COMMENTS
- 11/07/2018: CITY COMMENTS

RELEASED FOR CONSTRUCTION

PROJECT NAME AND ADDRESS
INTERIOR RENOVATION PLAN FOR WOODY'S CHEESE STEAKS
 45 IRBY AVE.
 ATLANTA, GA. 30305

DATE
 01/29/18

SHEET TITLE
PROPOSED FLOOR & CEILING PLANS & DETAILS

SHEET NUMBER
A-2