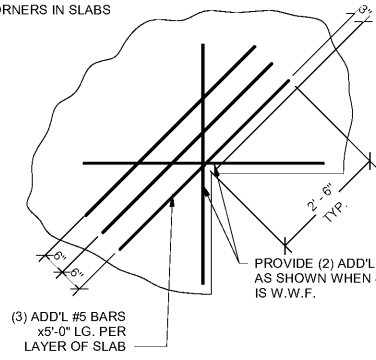
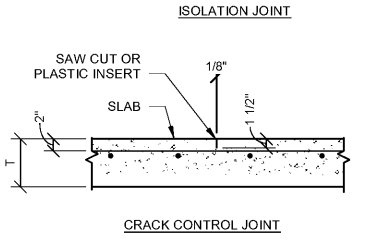
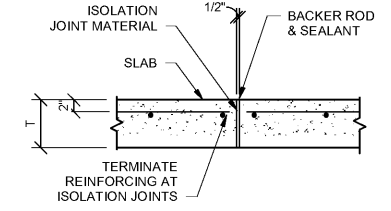


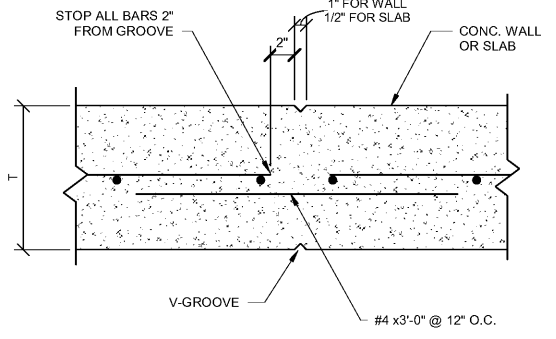
NOTE:
ADDITIONAL REINFORCEMENT
TO BE PLACED AT ALL INSIDE
CORNERS IN SLABS



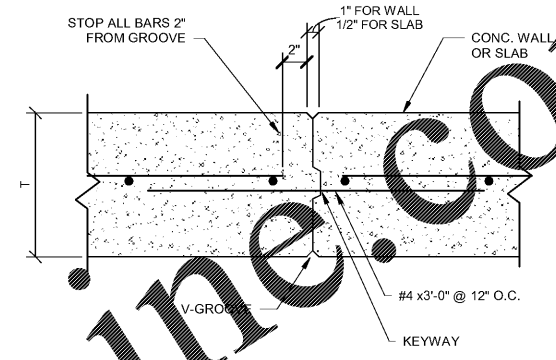
1 TYP. REINF. SLAB RE-ENTRANT CORNER
SCALE: 1/2" = 1'-0"



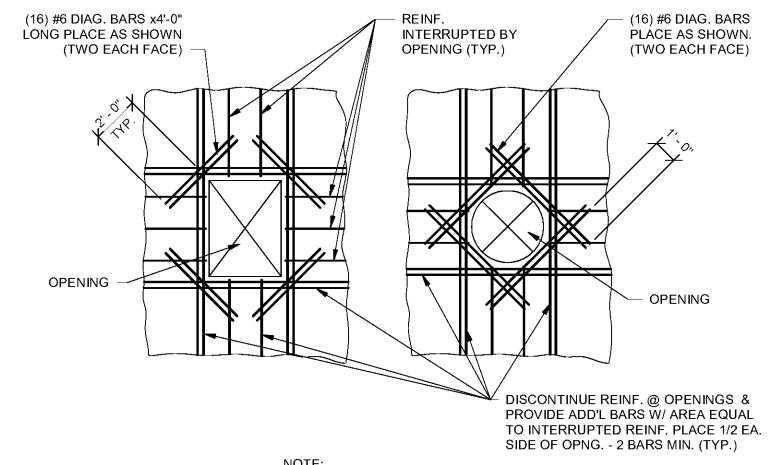
2 TYP. REINF SLAB DETAILS
SCALE: 3/4" = 1'-0"



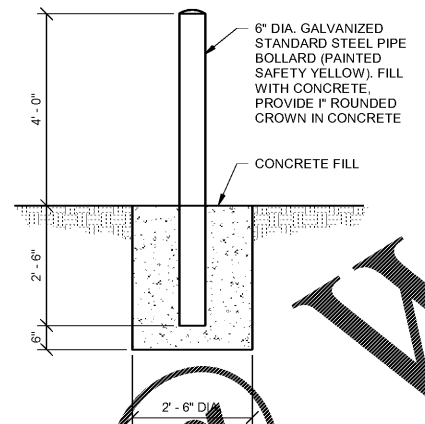
3 WALL CONTROL JOINT
SCALE: 1 1/2" = 1'-0"



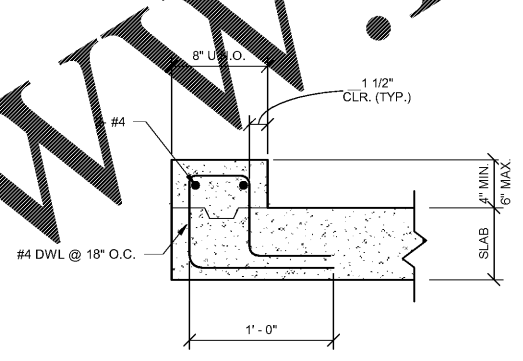
4 OPTIONAL WALL CONSTRUCTION JOINT
SCALE: 1 1/2" = 1'-0"



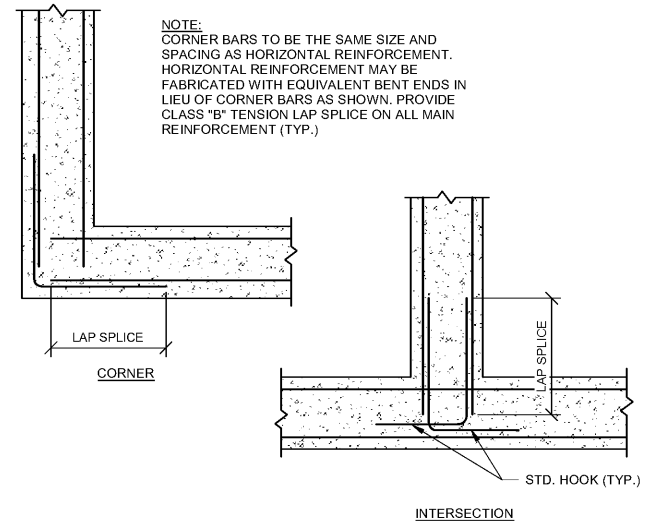
5 REINF. STEEL @ OPENING
SCALE: 1/4" = 1'-0"



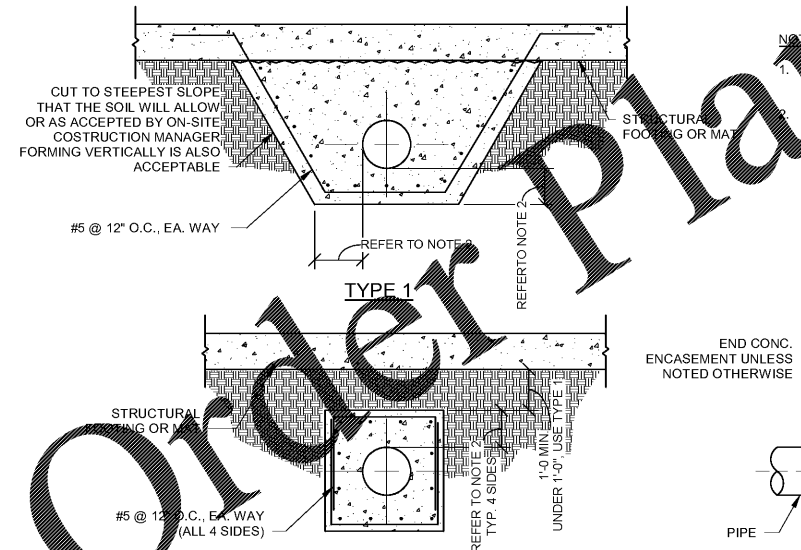
6 TYP. BOLLARD DETAIL
SCALE: 1/2" = 1'-0"



7 CONCRETE CURB DETAIL
SCALE: 1 1/2" = 1'-0"



8 TYP. CONC. WALL CORNERS
SCALE: 3/4" = 1'-0"



9 CONCRETE PIPE ENCASEMENT UNDER STRUCTURE
SCALE: 3/8" = 1'-0"

TETRA TECH
www.tetra.tech.com
1899 Powers Ferry Road SE, Suite 400
Atlanta, Georgia
TEL: 770.850.0949 FAX: 770.850.0950

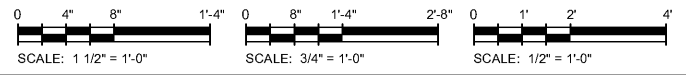
ISSUED FOR BID
REGISTERED PROFESSIONAL ENGINEER
No. 041751
TITUS J. MADDELA

MARK	DATE	DESCRIPTION	BY
1	02/11/19	ISSUED FOR BID	

CITY OF ALPHARETTA
OLD ROSWELL STREET
PARKING LOT MODIFICATIONS
TYPICAL DETAILS

PROJ: 200-01297-19012
DESN: TJM
DRWN: BRF
CHKD: JLB

S-501



Bar measures 1 inch, otherwise drawing is not to scale

2/11/2019 1:25:20 PM C:\Users\titus.maddela\Documents\S-Alpharetta Enclosure v2019.titus.maddela.rvt

Order Plans

WWW.LDLINE.COM

Copyright: Tetra Tech