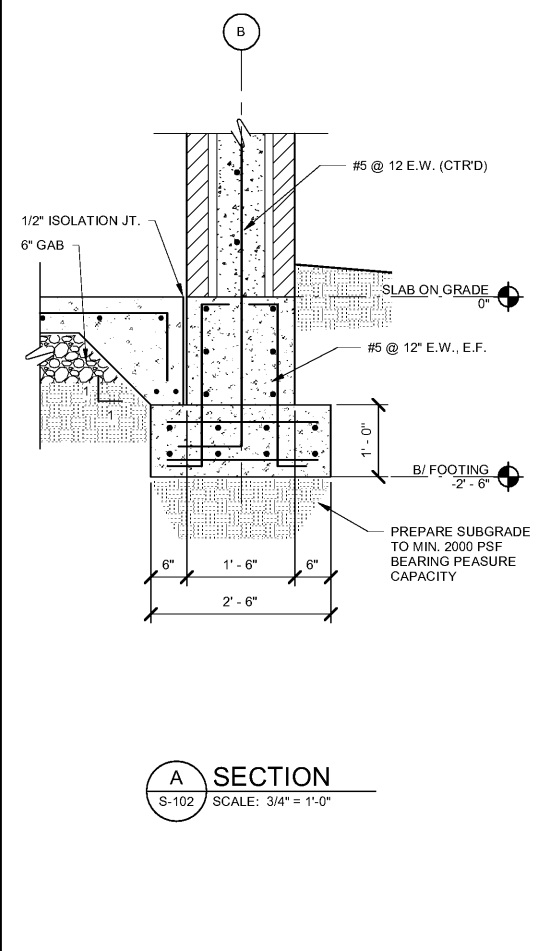
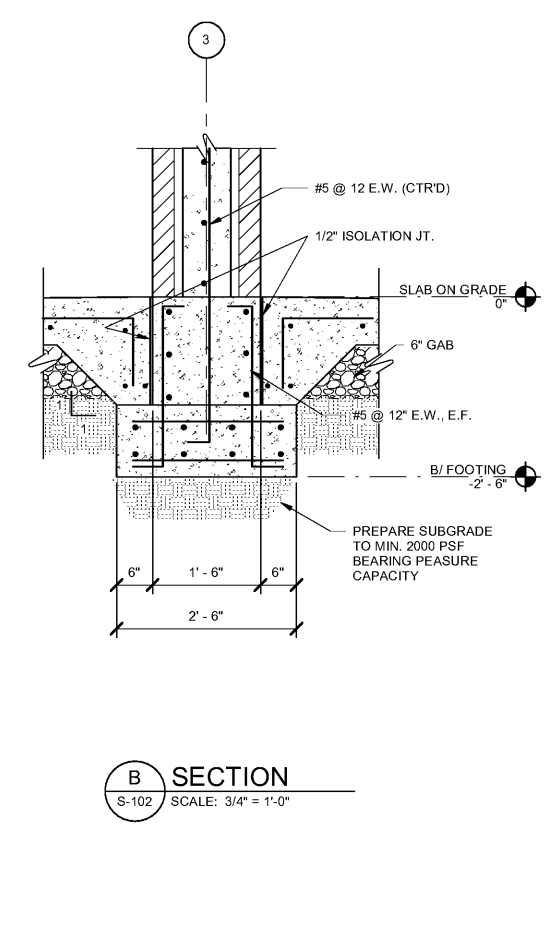


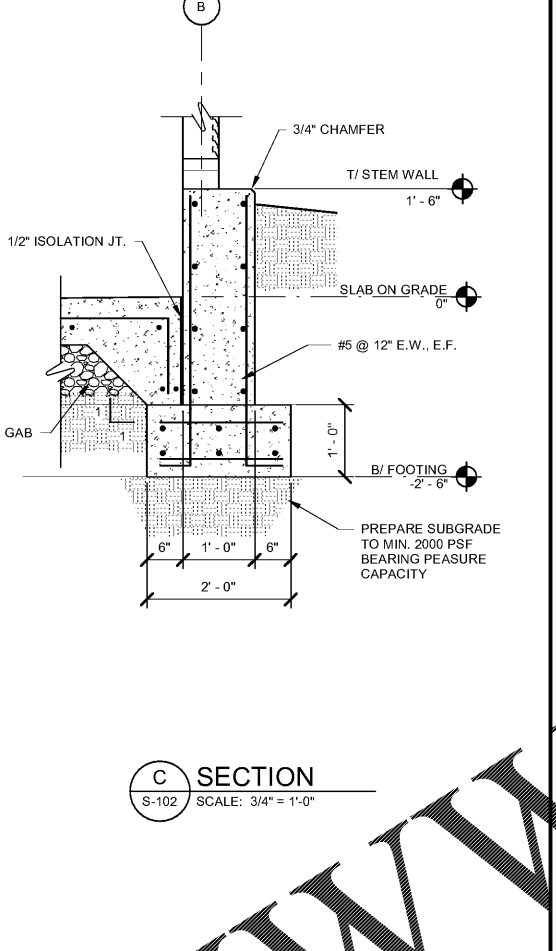
2/11/2019 1:25:19 PM C:\Users\ititus.maddela\Documents\Alpha\Arch\Enclosure v2019_ititus.maddela.rvt



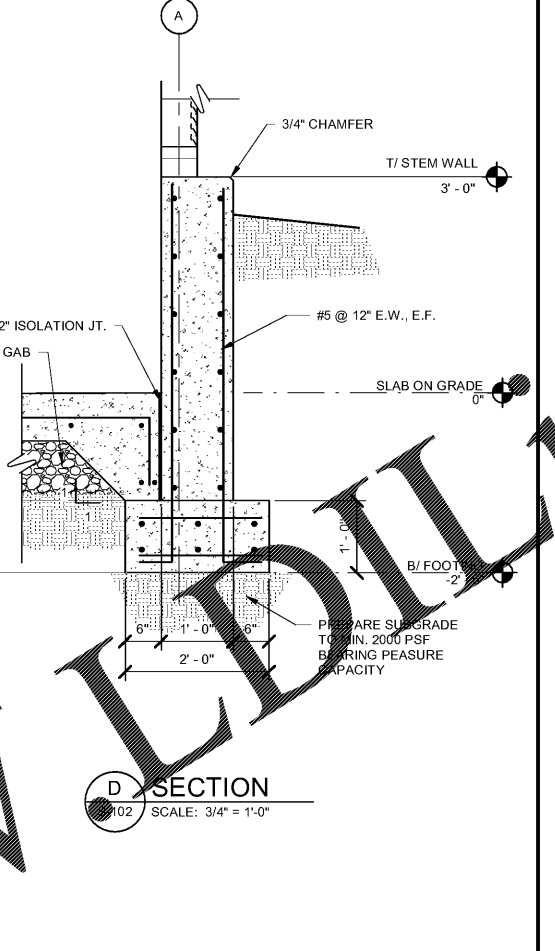
A SECTION
S-102 SCALE: 3/4" = 1'-0"



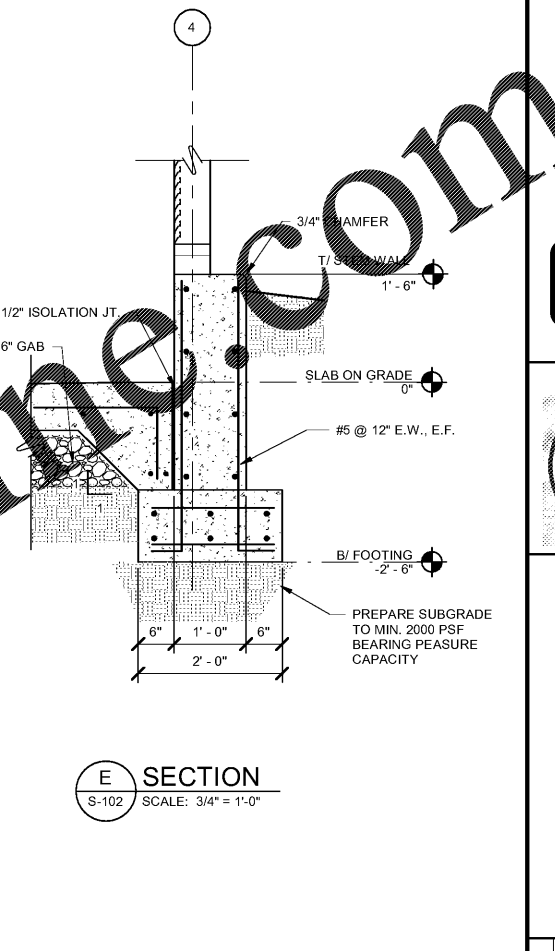
B SECTION
S-102 SCALE: 3/4" = 1'-0"



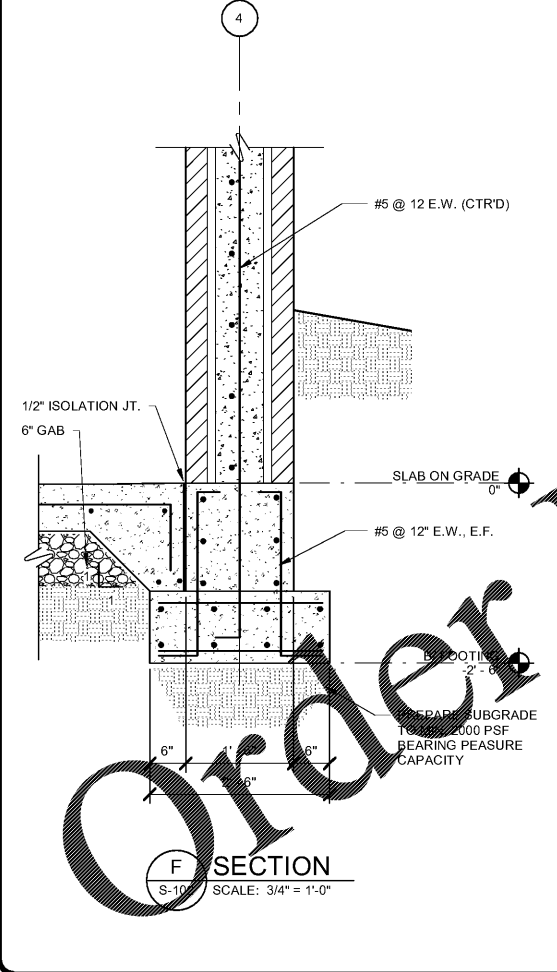
C SECTION
S-102 SCALE: 3/4" = 1'-0"



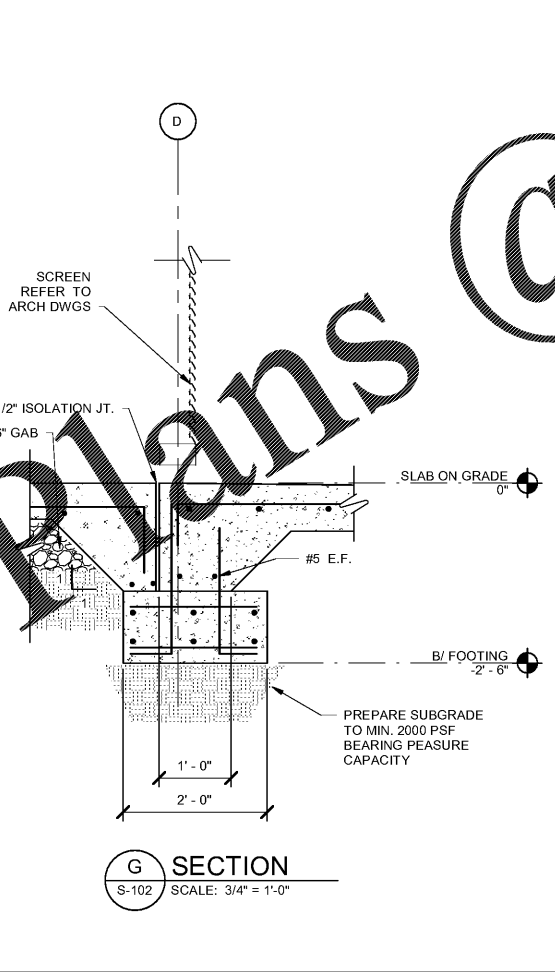
D SECTION
S-102 SCALE: 3/4" = 1'-0"



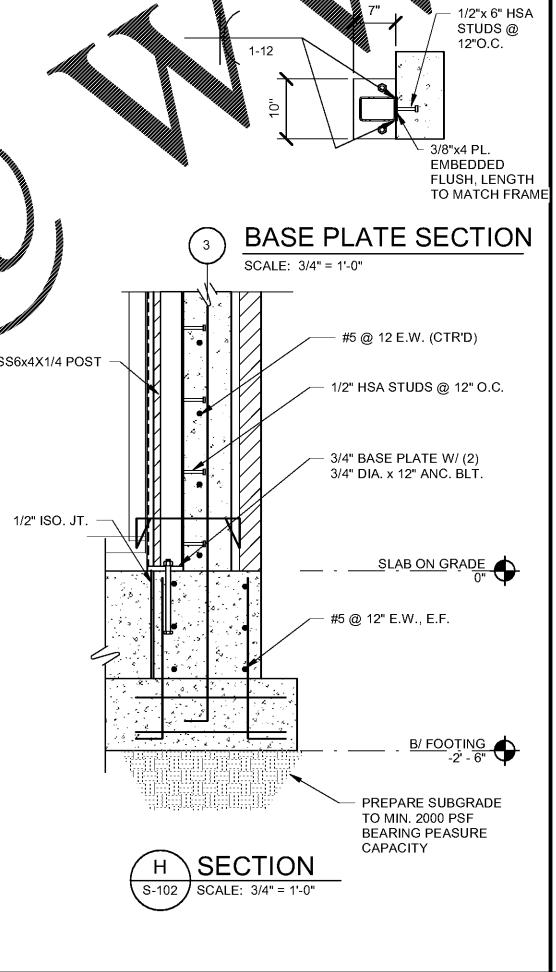
E SECTION
S-102 SCALE: 3/4" = 1'-0"



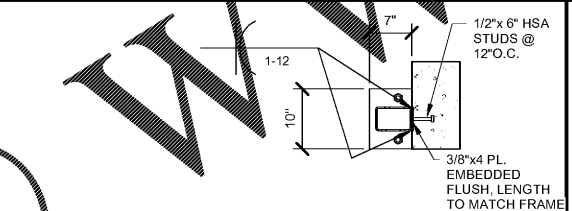
F SECTION
S-102 SCALE: 3/4" = 1'-0"



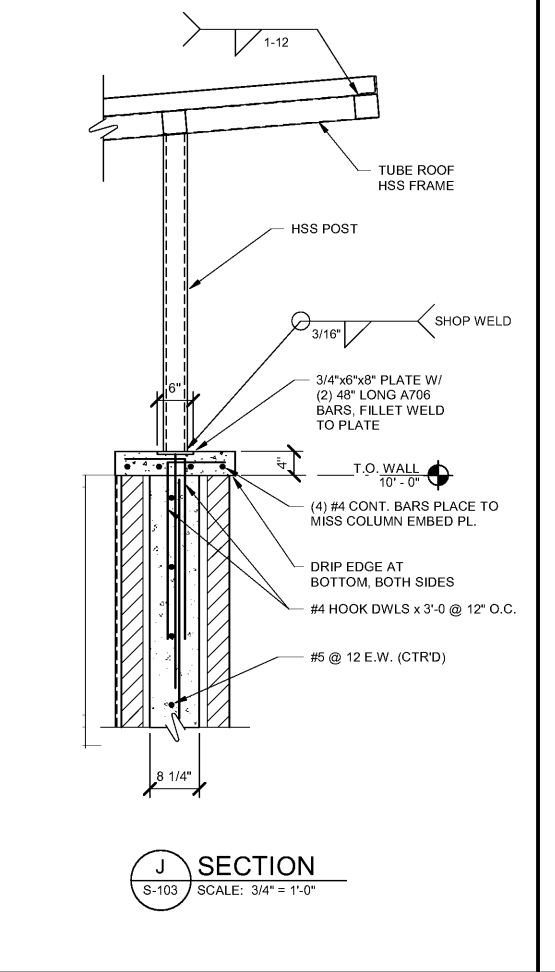
G SECTION
S-102 SCALE: 3/4" = 1'-0"



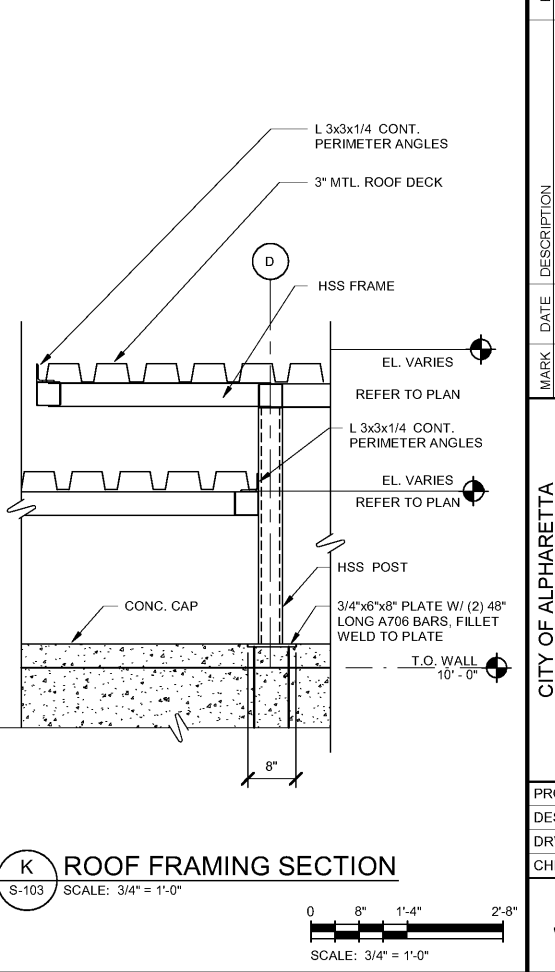
H SECTION
S-102 SCALE: 3/4" = 1'-0"



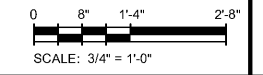
BASE PLATE SECTION
SCALE: 3/4" = 1'-0"



J SECTION
S-103 SCALE: 3/4" = 1'-0"



K ROOF FRAMING SECTION
S-103 SCALE: 3/4" = 1'-0"



MARK	DATE	DESCRIPTION
1	02/11/19	ISSUED FOR BID

CITY OF ALPHARETTA
 OLD ROSWELL STREET
 PARKING LOT MODIFICATIONS
STRUCTURAL SECTIONS & DETAILS

PROJ:	200-01297-19012
DESN:	TJM
DRWN:	BRF
CHKD:	JLB

S-301

Copyright: Tetra Tech