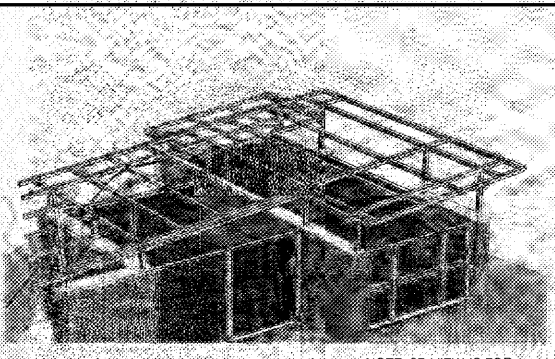


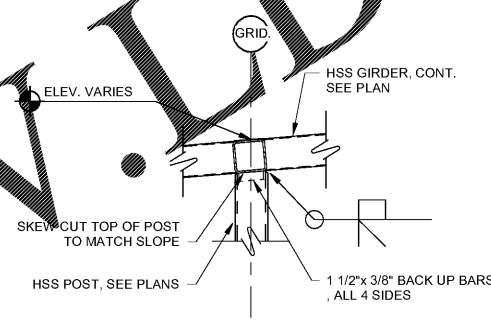
LOW & HIGH ROOF PLAN
SCALE: 1" = 1'-0"



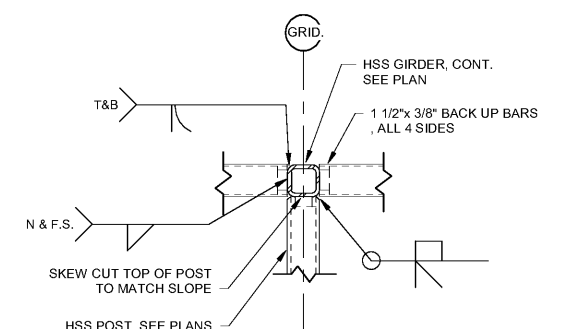
ROOF FRAME 3D VIEW
SCALE: 1" = 1'-0"
NOTE: 3D VIEW IS FOR REFERENCE ONLY. REFER TO PLANS AND SECTIONS FOR LAYOUT AND DIMENSIONS

- PLAN NOTES:
- ROOF TUBE FRAME CONNECTION SHALL BE DESIGNED BY A REGISTERED ENGINEER IN THE STATE OF GEORGIA. SIGNED AND SEALED DRAWINGS AND CALCULATIONS SHALL BE SUBMITTED TO THE ENGINEER OF RECORD PRIOR TO CONSTRUCTION. DESIGN WELDS FOR WORKING LOADS OF 10 KIPS SHEAR AND 9 KIP-FIT MOMENT IN ANY DIRECTION.
 - ALL MOMENT CONNECTION SHOW ARE CONCEPT LEVEL, FINAL CONNECTION DETAILS BY FABRICATOR CONNECTION DESIGN ENGINEER.
 - REFER TO ARCH FOR COATING REQUIREMENTS.
 - PROVIDE 1/4" THK CAP PLATE FOR ALL EXPOSED TUBE OPENINGS
 - PROVIDE 1/4" DIA. WEEP HOLES LOW SIDE OF EACH MEMBER
 - CONTRACTOR TO FIELD VERIFY ALL POST EMBED PLATES LOCATIONS IN FIELD PRIOR TO FABRICATION. FABRICATOR MAY CHOOSE TO SPLICE POSTS AS REQUIRED FOR FIT UP OF BEAMS AND GIRDERS.
 - CONTRACTOR TO SUBMIT ERECTION PLAN ALONG WITH ANY ADDITIONAL SPLICES REQUIRED FOR FIT UP.
 - CONTRACTOR IS RESPONSIBLE FOR TEMPORARY SHORING DURING SECTION.
 - COORDINATE EXPOSED STEEL COATING REQUIREMENTS WITH ARCHITECTURAL DRAWINGS.

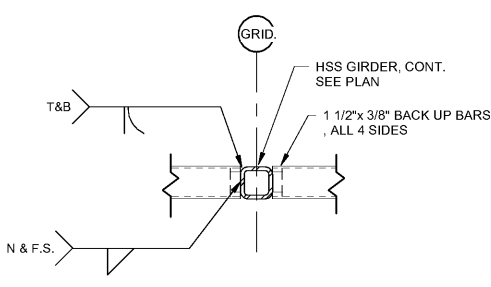
- LEGEND
- D-1 = 3N ROOF DECK MIN 20 GAGE FASTENERS WITH WELD IN 3/8" PATTERN #10 TEKS @ SIDELAPS MAX 12" PERIMETER EDGES WITH 5/8" RIBBLE WELDS @ 6" O.C.
 - T XX' - XX" = TUBE FRAME TO ARCH. ELEVATION



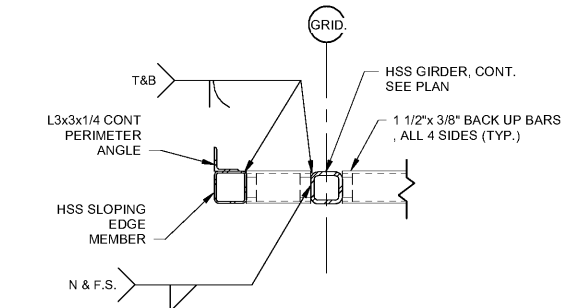
A HSS POST TO BEAM CONN.
S-103 SCALE: 1" = 1'-0"



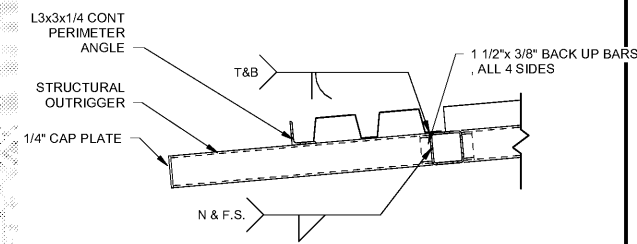
B HSS GIRDER TO BEAM CONN.
S-103 SCALE: 1" = 1'-0"



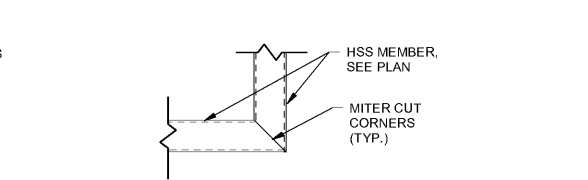
C HSS BEAM TO BEAM CONN.
S-103 SCALE: 1" = 1'-0"



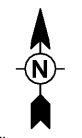
D HSS EDGE MEMBER DETAIL
S-103 SCALE: 1" = 1'-0"



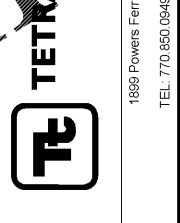
E HSS OUTRIGGER DETAIL
S-103 SCALE: 1" = 1'-0"



F TYP. HSS BUTT JOINT
S-103 SCALE: 1" = 1'-0"



TETRA TECH
www.tetra.tech.com
1899 Powers Ferry Road SE, Suite 400
Atlanta, Georgia
TEL: 770.850.0949 FAX: 770.850.0950



ISSUED FOR BID



MARK	DATE	DESCRIPTION
1	02/11/19	ISSUED FOR BID

BY

CITY OF ALPHARETTA
OLD ROSWELL STREET
PARKING LOT MODIFICATIONS
STRUCTURAL ROOF PLAN

PROJ:	200-01297-19012
DESN:	TJM
DRWN:	BRF
CHKD:	JLB

S-103

Order Plans @ www.LDILine.com