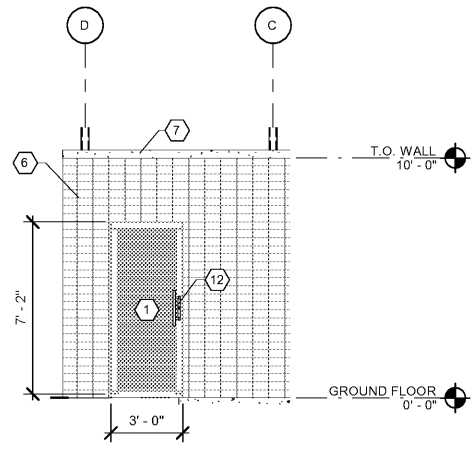
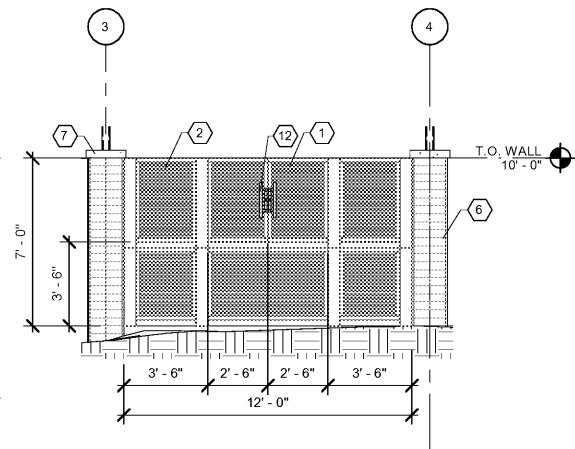


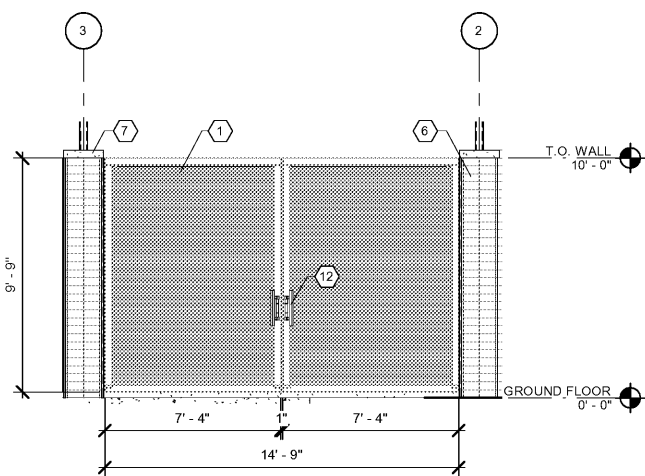
2/11/2019 12:14:14 PM C:\Users\jason\_hunsucker\Documents\A-Alpha\Architectural Enclosure-Option 1\_2019\_jason\_hunsucker.rvt



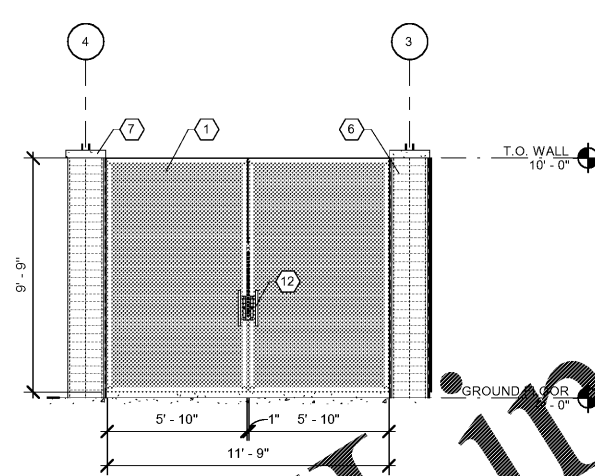
8 GATE D ELEVATION  
A-101 SCALE: 1/4" = 1'-0"



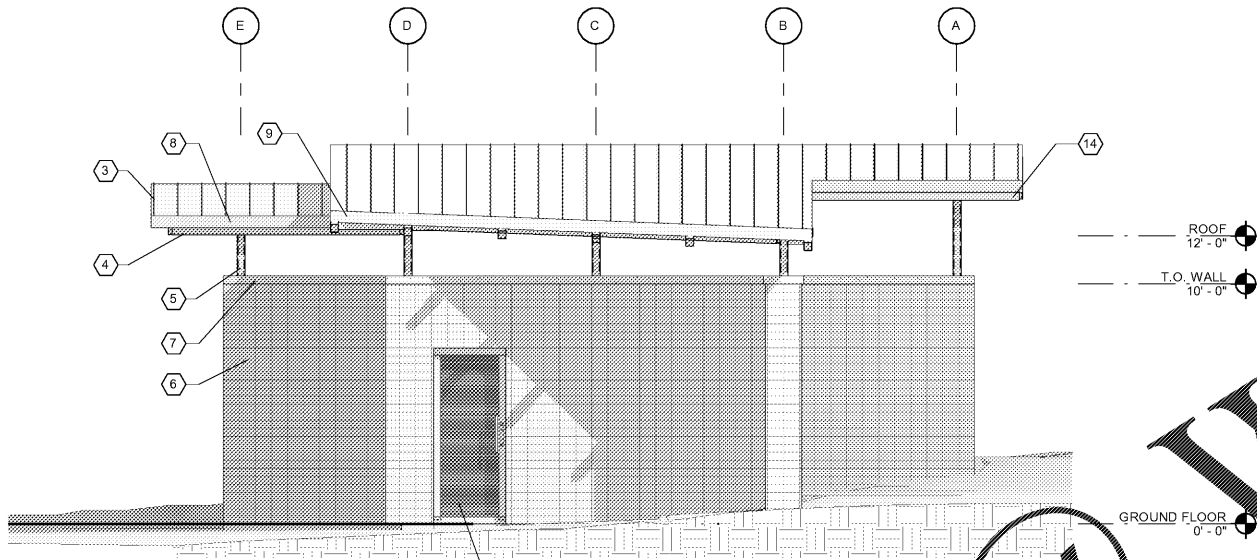
7 GATE C ELEVATION  
A-101 SCALE: 1/4" = 1'-0"



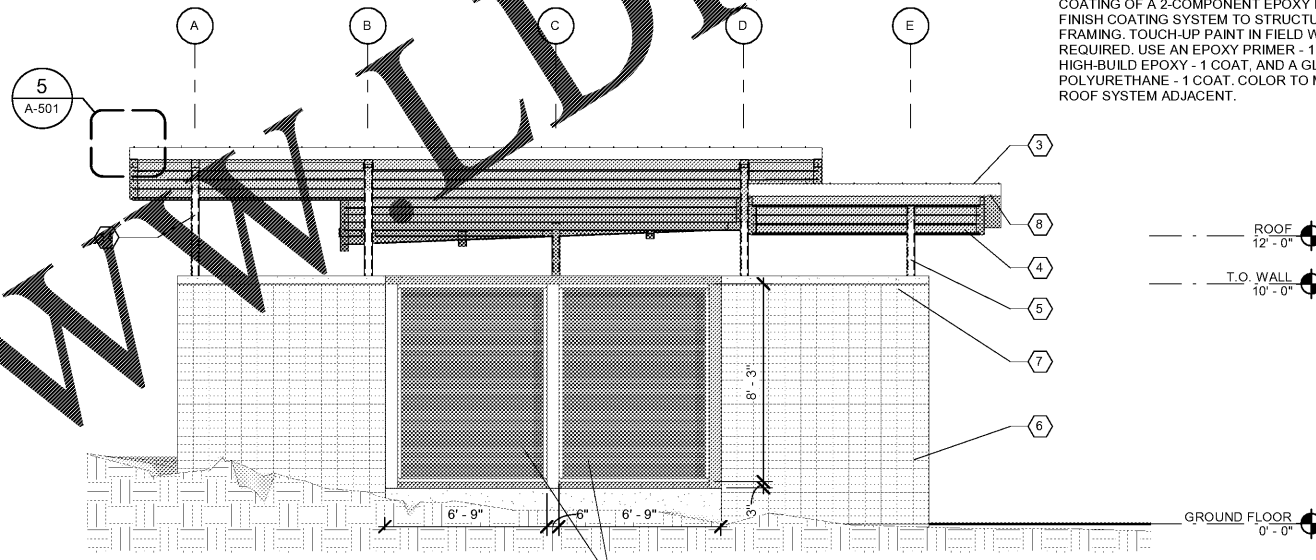
6 GATE B ELEVATION  
A-101 SCALE: 1/4" = 1'-0"



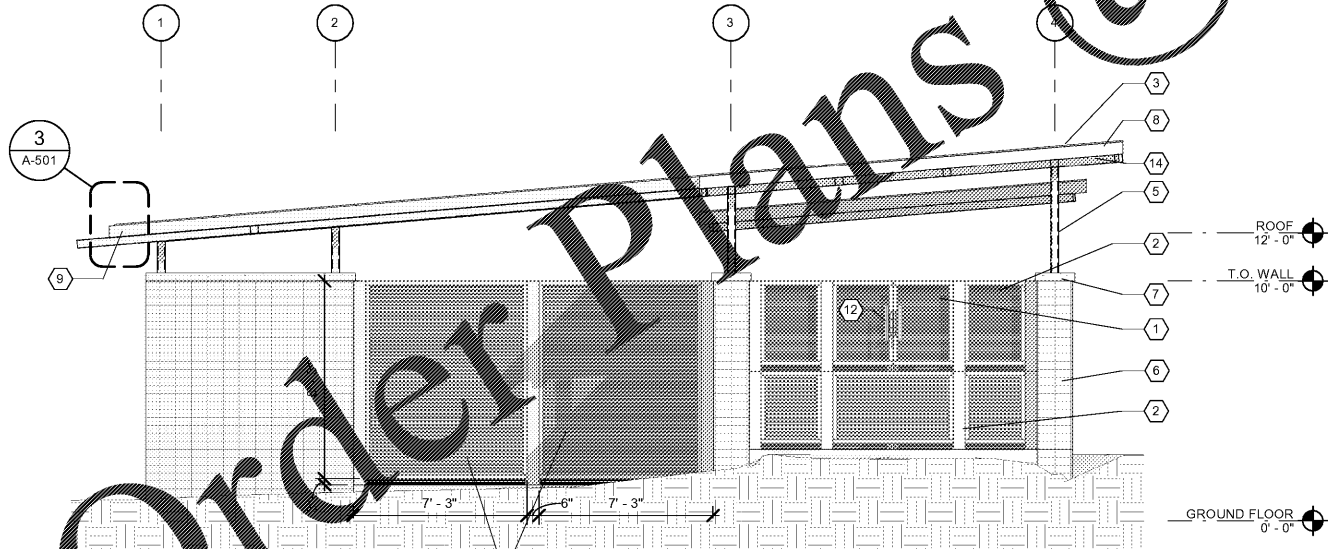
5 GATE A ELEVATION  
A-101 SCALE: 1/4" = 1'-0"



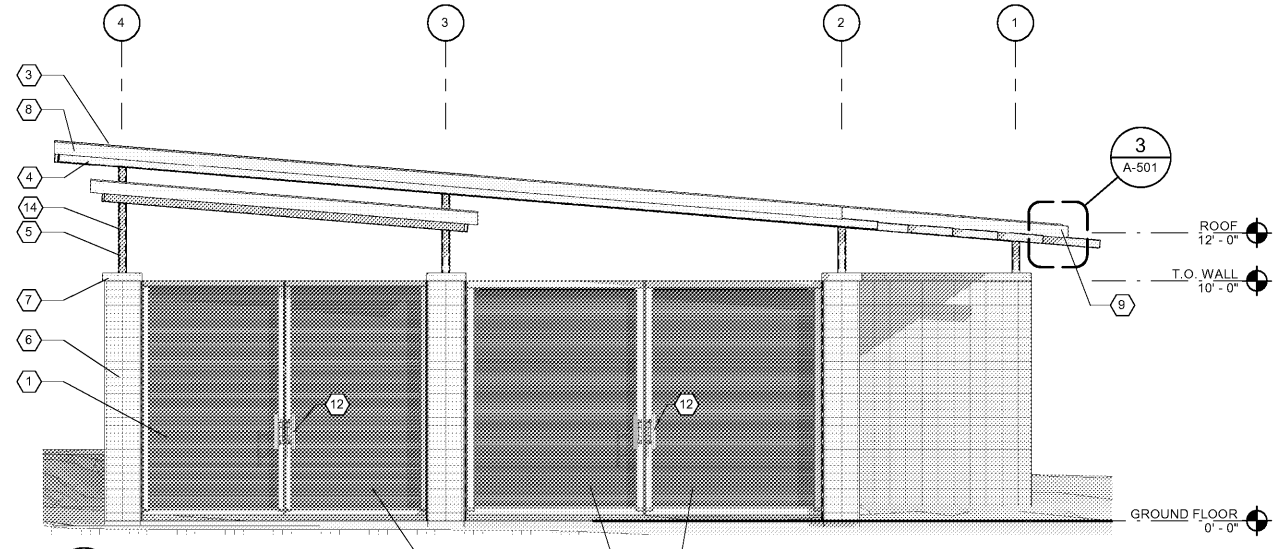
4 WEST ELEVATION  
A-101 SCALE: 1/4" = 1'-0"



2 EAST ELEVATION  
A-101 SCALE: 1/4" = 1'-0"



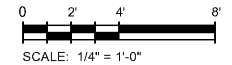
3 SOUTH ELEVATION  
A-101 SCALE: 1/4" = 1'-0"



1 NORTH ELEVATION  
A-101 SCALE: 1/4" = 1'-0"

# KEYNOTES

- 1 SWINGING GATE SYSTEM. BASIS OF DESIGN: AMETCO MANUFACTURING CORPORATION. SHADOW 100. COLOR - BRONZE MAT, POLYESTER POWDER COATING. PROFILE - GALVANIZED 100% VISUAL SCREENING.
- 2 FIXED LOUVER STEEL FENCING. BASIS OF DESIGN: AMETCO MANUFACTURING CORPORATION. SHADOW 100. COLOR - BRONZE MAT, POLYESTER POWDER COATING. PROFILE - GALVANIZED 100% VISUAL SCREENING.
- 3 STANDING SEAM METAL ROOF PANELS WITH CONCEALED FASTENER SYSTEM OVER 1/2" COVERBOARD ON 3" METAL DECK. BASIS OF DESIGN: METAL BATTEN LOCK HS. COLOR - MIDNIGHT BRONZE. GALVALUME COATING SYSTEM. PROFILE - WIDTH WITH 2" TALL VERTICAL SEAM.
- 4 STRUCTURAL BEAMS. SEE STRUCTURAL, TYP.
- 5 STRUCTURAL COLUMN. SEE STRUCTURAL, TYP.
- 6 CAST-IN-PLACE CONCRETE WALL WITH STACK AND RAKE JOINT BRICK ON BOTH SIDES. CLAY BRICK MASONRY, BASIS OF DESIGN: CHEROKEE BRICK, CLASSIC COLLECTION - GEORGIA, COLOR - COBBLESTONE GA.
- 7 CAST-IN-PLACE CONCRETE COPING CAP.
- 8 PREFABRICATED METAL BOX RAKE TRIM. COLOR TO MATCH ROOF SYSTEM, TYP.
- 9 PREFABRICATED METAL BOX EAVE TRIM. COLOR TO MATCH ROOF SYSTEM, TYP.
- 12 GATE HARDWARE TO BE PROVIDED BY GATE MANUFACTURER.
- 14 SURFACE PREPARATION, PRIMING AND FINISH COATING OF A 2-COMPONENT EPOXY BASED FINISH COATING SYSTEM TO STRUCTURAL FRAMING. TOUCH-UP PAINT IN FIELD WILL BE REQUIRED. USE AN EPOXY PRIMER - 1 COAT, HIGH-BUILD EPOXY - 1 COAT, AND A GLOSS POLYURETHANE - 1 COAT. COLOR TO MATCH ROOF SYSTEM ADJACENT.



Bar measures 1 inch, otherwise drawing is not to scale



ISSUED FOR BID



MARK	DATE	DESCRIPTION
1	02/11/19	ISSUED FOR BID

CITY OF ALPHARETTA  
 OLD ROSWELL STREET  
 PARKING LOT MODIFICATIONS  
 ARCHITECTURAL  
 ELEVATIONS

PROJ: 200-01297-19012  
 DESN: JAH  
 DRWN: TMH  
 CHKD: JQB

A-201

Copyright: Tetra Tech