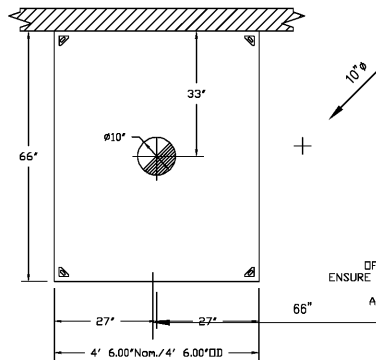


HOOD INFORMATION - Job#2887537

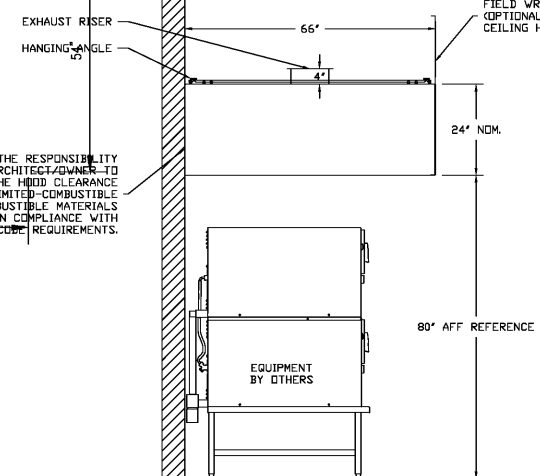
HOOD NO.	TAG	MODEL	LENGTH	MAX. COOKING TEMP.	TOTAL CHL. CFM	EXHAUST FLENUM			HOOD CONSTRUCTION	HOOD HANGING WEIGHT
						DIAM.	CFM	S.P.		
1	Back House Oven	6624 VHB	4' 6.00"	700 Deg	450	10"	450	-0.041"	430 SS	237 LBS

CAPTIVE-AIRE HOODS ARE BUILT IN COMPLIANCE WITH

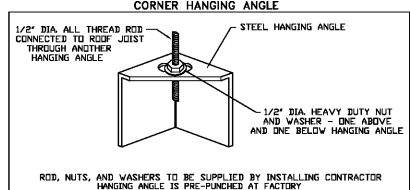
NFA #96
UL 710 & ULC710 STANDARDS
E.T.L. LISTED 3054804-001



PLAN VIEW - Hood #1 (Back House Oven)
4' 6.00" LONG 6624VHB



SECTION VIEW - MODEL 6624VHB
HOOD - #1 (Back House Oven)



FOR QUESTIONS, CALL THE
SOUTHWEST FLORIDA REGIONAL OFFICE
4519 GEORGE RD, SUITE 150, TAMPA, FL 33634
PHONE: (800)378-2471 FAX: (813)354-4825



CAPTIVE-AIRE

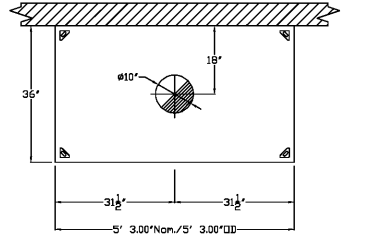
JOB Dunkin Donuts - Prototype 5.3
LOCATION: 0
DATE: 1/13/2017 JOB #: 2887537
DWG #: 1 DRAWN BY: DC
REV. SCALE: 3/8" = 1'-0"

HOOD INFORMATION - Job#2887537

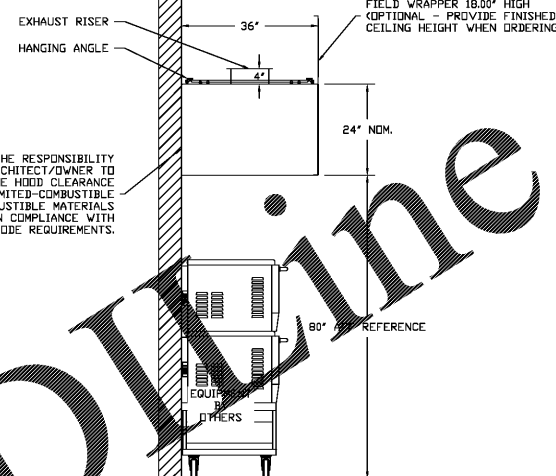
HOOD NO.	TAG	MODEL	LENGTH	MAX. COOKING TEMP.	TOTAL CHL. CFM	EXHAUST FLENUM			HOOD CONSTRUCTION	HOOD HANGING WEIGHT
						DIAM.	CFM	S.P.		
2	Sandwich Station	3624 VHB	5' 3.00"	700 Deg	525	10"	525	-0.056"	430 SS	172 LBS

CAPTIVE-AIRE HOODS ARE BUILT IN COMPLIANCE WITH

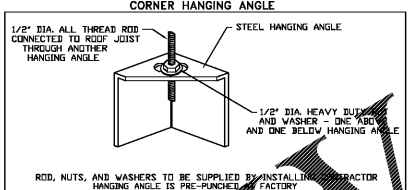
NFA #96
UL 710 & ULC710 STANDARDS
E.T.L. LISTED 3054804-001



PLAN VIEW - Hood #2 (Sandwich Station)
5' 3.00" LONG 3624VHB



SECTION VIEW - MODEL 3624VHB
HOOD - #2 (Sandwich Station)



FOR QUESTIONS, CALL THE
SOUTHWEST FLORIDA REGIONAL OFFICE
4519 GEORGE RD, SUITE 150, TAMPA, FL 33634
PHONE: (800)378-2471 FAX: (813)354-4825

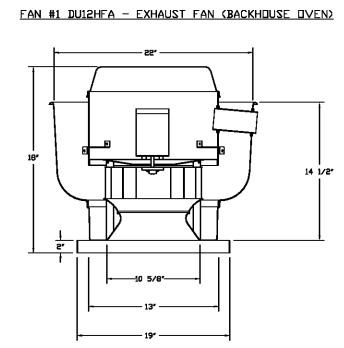


CAPTIVE-AIRE

JOB Dunkin Donuts - Prototype 5.3
LOCATION: 0
DATE: 1/13/2017 JOB #: 2887537
DWG #: 2 DRAWN BY: DC
REV. SCALE: 3/8" = 1'-0"

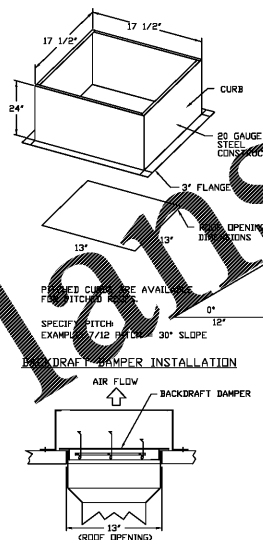
EXHAUST FAN INFORMATION - Job#2887537

FAN UNIT NO.	TAG	FAN UNIT MODEL #	CFM	ESP.	RPM	HP.	B.H.P.	#	VOLT	FLA	WEIGHT (LBS.)	SDNES
1	Backhouse Oven	DURBFA	450	0.500	1500	0.250	0.1480	1	115	1.3	44	9.2



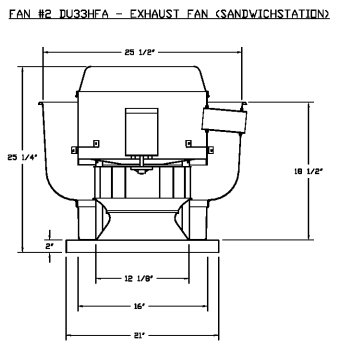
- FEATURES:
- DIRECT DRIVE CONSTRUCTION AND BELTS/PULLEYS
 - ROOF MOUNTED FANS
 - UL785
 - VARIABLE SPEED CONTROL
 - INTERNAL WIRING
 - WEATHERPROOF DISCONNECT
 - THERMAL OVERLOAD PROTECTION (SINGLE PHASE)

- OPTIONS:
- SCR-12 BIRD SCREEN
 - ECM WIRING PACKAGE
 - I 12-BDD DAMPER



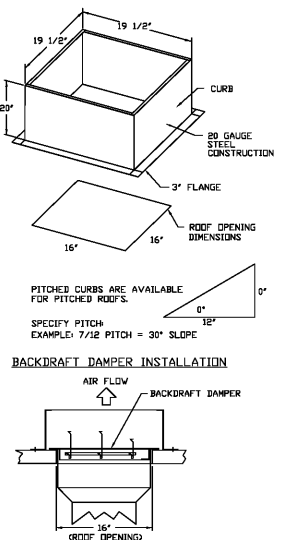
EXHAUST FAN INFORMATION - Job#2887537

FAN UNIT NO.	TAG	FAN UNIT MODEL #	CFM	ESP.	RPM	HP.	B.H.P.	#	VOLT	FLA	WEIGHT (LBS.)	SDNES
2	Sandwich Station	DU33HFA	525	0.500	1812	0.333	0.1210	1	115	4.4	58	7.7



- FEATURES:
- DIRECT DRIVE CONSTRUCTION AND BELTS/PULLEYS
 - ROOF MOUNTED FANS
 - UL785
 - VARIABLE SPEED CONTROL
 - INTERNAL WIRING
 - WEATHERPROOF DISCONNECT
 - THERMAL OVERLOAD PROTECTION (SINGLE PHASE)

- OPTIONS:
- ECM WIRING PACKAGE
 - SCR-11 BIRD SCREEN
 - I 15-BDD DAMPER



Order Plans @

FOR QUESTIONS, CALL THE
SOUTHWEST FLORIDA REGIONAL OFFICE
4519 GEORGE RD, SUITE 150, TAMPA, FL 33634
PHONE: (800)378-2471 FAX: (813)354-4825



CAPTIVE-AIRE

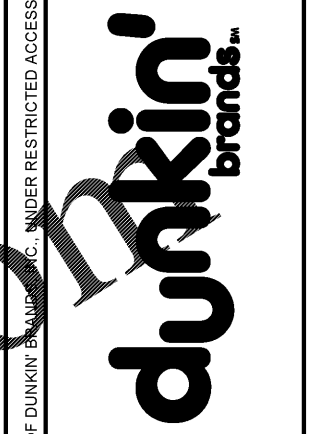
JOB Dunkin Donuts - Prototype 5.3
LOCATION: 0
DATE: 1/13/2017 JOB #: 2887537
DWG #: 3 DRAWN BY: DC
REV. SCALE: 3/8" = 1'-0"

FOR QUESTIONS, CALL THE
SOUTHWEST FLORIDA REGIONAL OFFICE
4519 GEORGE RD, SUITE 150, TAMPA, FL 33634
PHONE: (800)378-2471 FAX: (813)354-4825



CAPTIVE-AIRE

JOB Dunkin Donuts - Prototype 5.3
LOCATION: 0
DATE: 1/13/2017 JOB #: 2887537
DWG #: 4 DRAWN BY: DC
REV. SCALE: 3/8" = 1'-0"



THESE PLANS ARE CONFIDENTIAL PROPERTY OF DUNKIN BRANDS, INC. UNDER RESTRICTED ACCESS.

RM3 ENGINEERING
2302 Brockett Road
TUCKER, GEORGIA 30084
770 934 0944

NO	DESCRIPTION	DATE	SCALE	DRAWN	CKD	APPD

DUNKIN DONUTS SPRING STREET
1270 SPRING ST., SUITE 3, ATLANTA, GA 30309

CAPTIVE AIR HOOD DATA
SANDWICH STATION

3E18-130

M-3