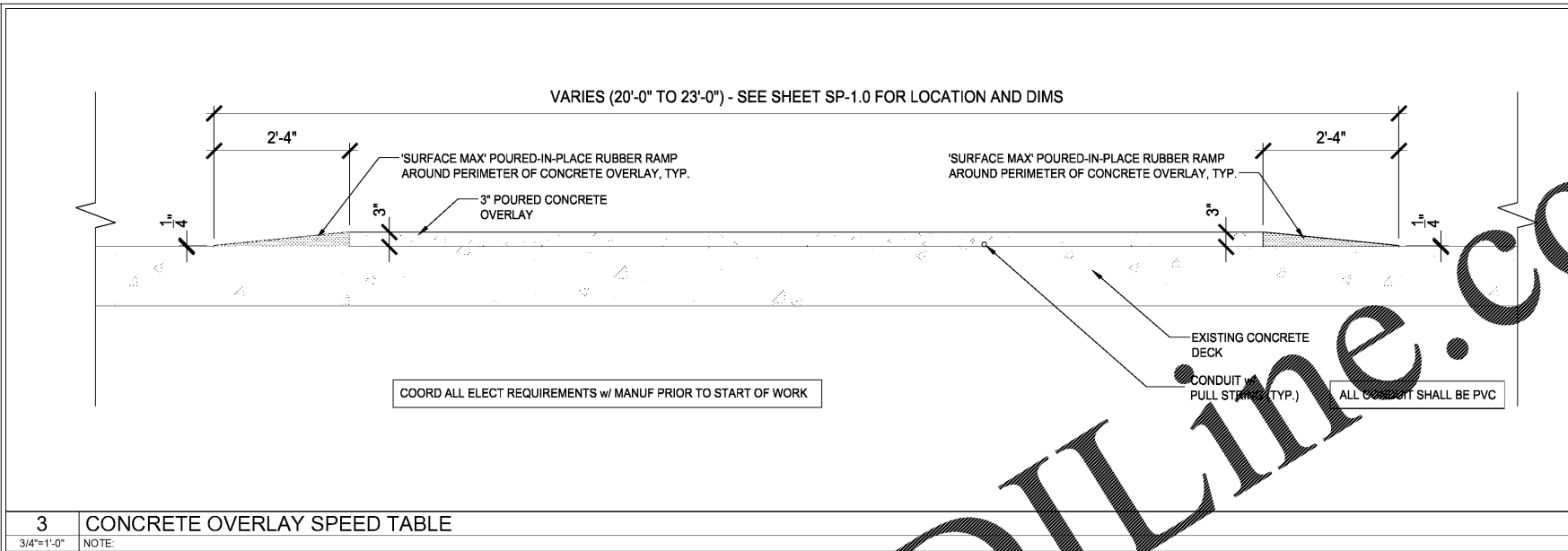
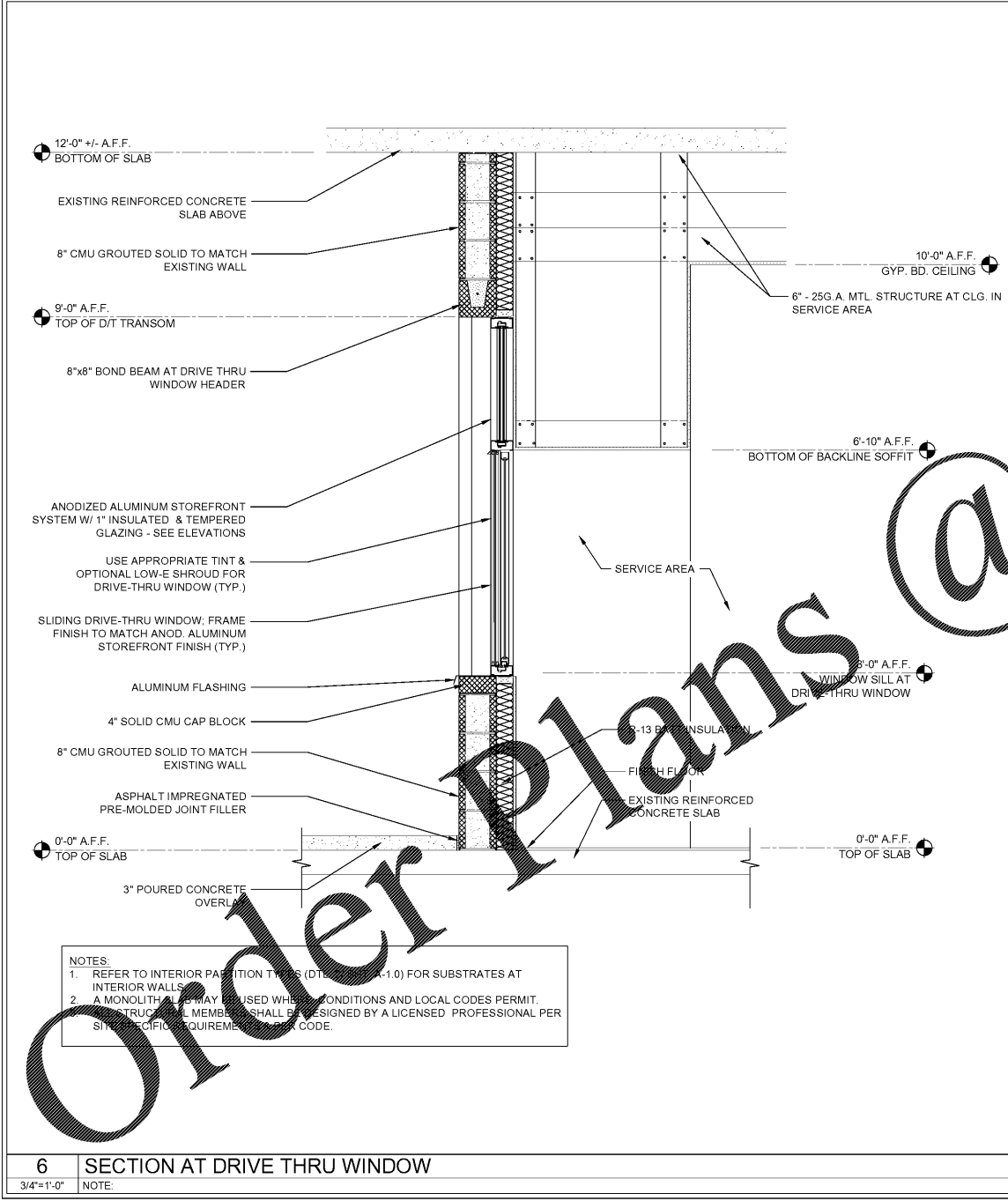


1 NOT USED
1/2"=1'-0" NOTE:

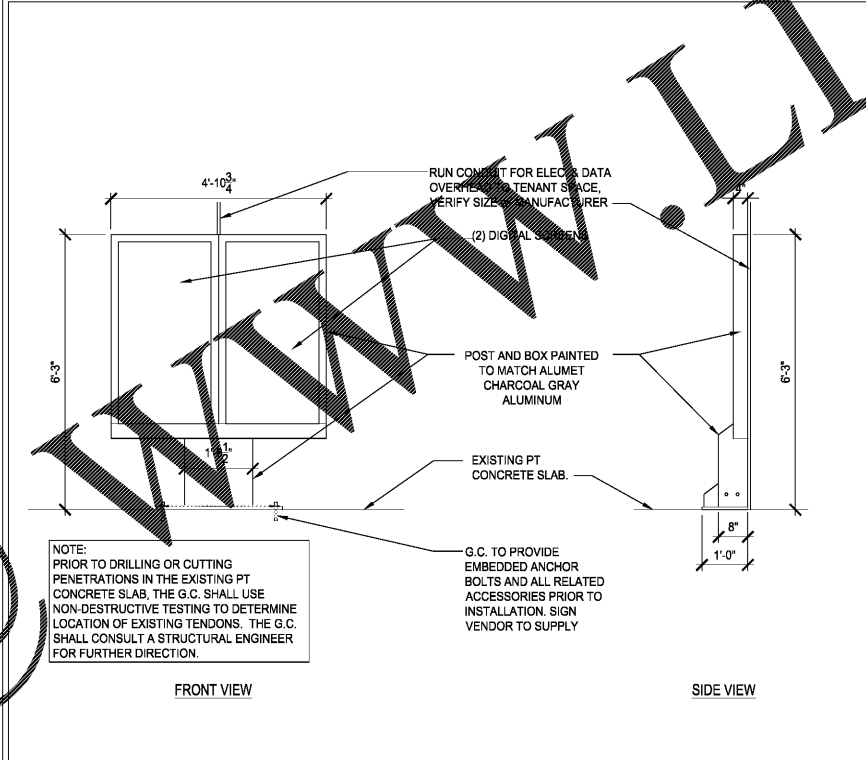
2 DIGITAL PREVIEW BOARD DETAIL
N.T.S. NOTE:



3 CONCRETE OVERLAY SPEED TABLE
3/4"=1'-0" NOTE:

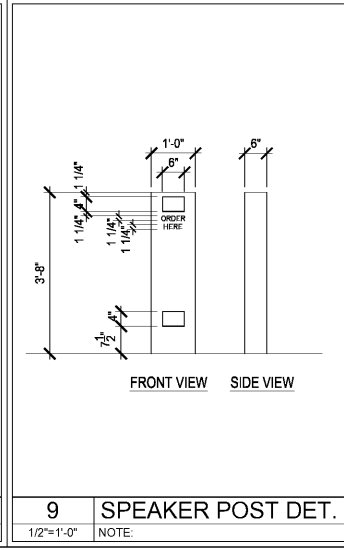


6 SECTION AT DRIVE THRU WINDOW
3/4"=1'-0" NOTE:

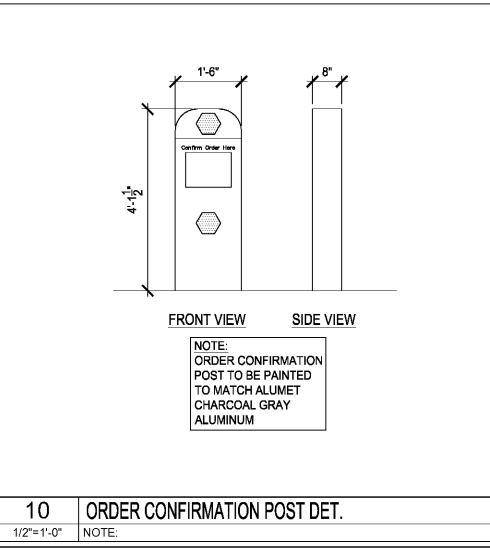


4 DIGITAL MENU BOARDS DETAIL
1/2"=1'-0" NOTE:

5 NOT USED
1/2"=1'-0" NOTE:



9 SPEAKER POST DET.
1/2"=1'-0" NOTE:



10 ORDER CONFIRMATION POST DET.
1/2"=1'-0" NOTE:

7 NOT USED
1/2"=1'-0" NOTE:

8 NOT USED
1/2"=1'-0" NOTE:

THESE PLANS ARE CONFIDENTIAL PROPERTY OF DUNKIN' BRANDS, INC. UNDER RESTRICTED ACCESS.

dunkin' brands

H

STATE OF GEORGIA
Professional Seal
2/25/19
REGISTERED ARCHITECT

HAMBY ARCHITECTURE & DESIGN, INC.
6370 CORN DRIVE
CUMMING GEORGIA 30028
770-887-9124

NO.	DESCRIPTION	DATE	SCALE	DRAWN	PHH	CKD	APPD
SET REVISIONS		2/25/19					
NO.							
SHEET REVISIONS							

RELEASED FOR CONSTRUCTION

DUNKIN' - 1270 SPRING STREET, SUITE 7
ATLANTA GA 30309

SITE DETAILS

ARCHITECT PROJECT #18-028

SP-1.1

10182018