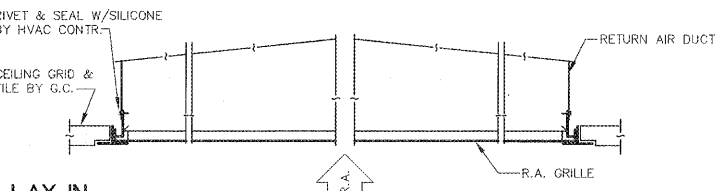
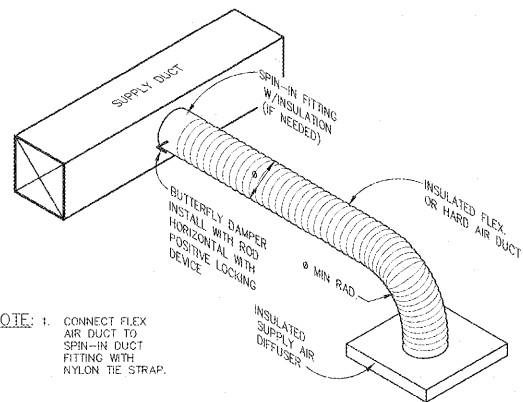


1 GRILLE CONNECTION
M501 SCALE: NONE



2 FLEXIBLE DUCT SPLICING DETAIL
M501 SCALE: NONE

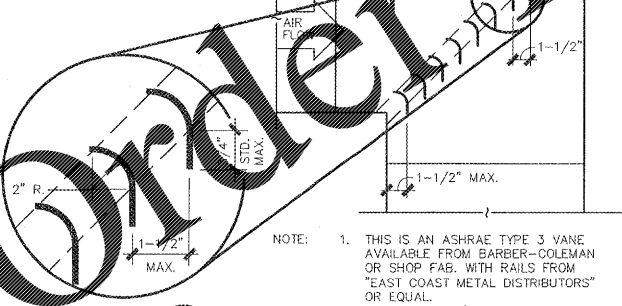


NOTE: 1. CONNECT FLEX AIR DUCT TO SPIN-IN DUCT FITTING WITH NYLON TIE STRAP.

3 TYPICAL DUCT CONNECTION
M501 SCALE: NONE

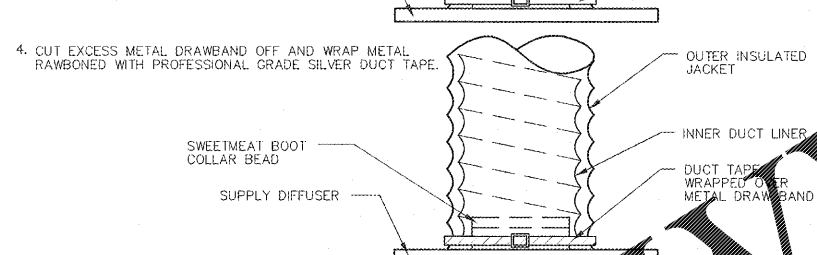
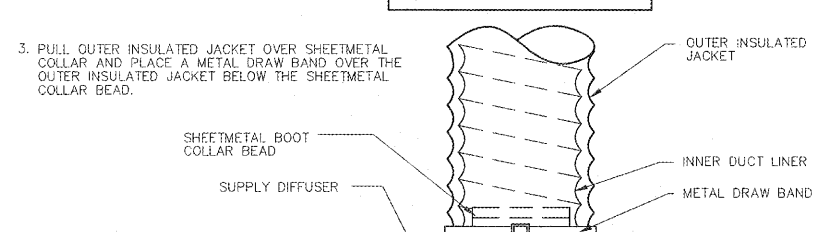
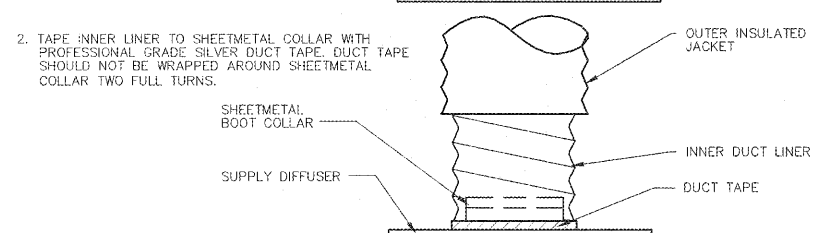
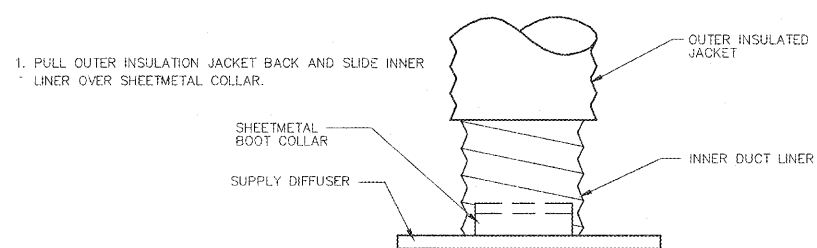
SQUARE ELBOW

NOTE: TRAILING EDGE MUST PARALLEL DUCT WALL. ADJUST RAILS IF DUCT WIDTH TRANSITIONS.

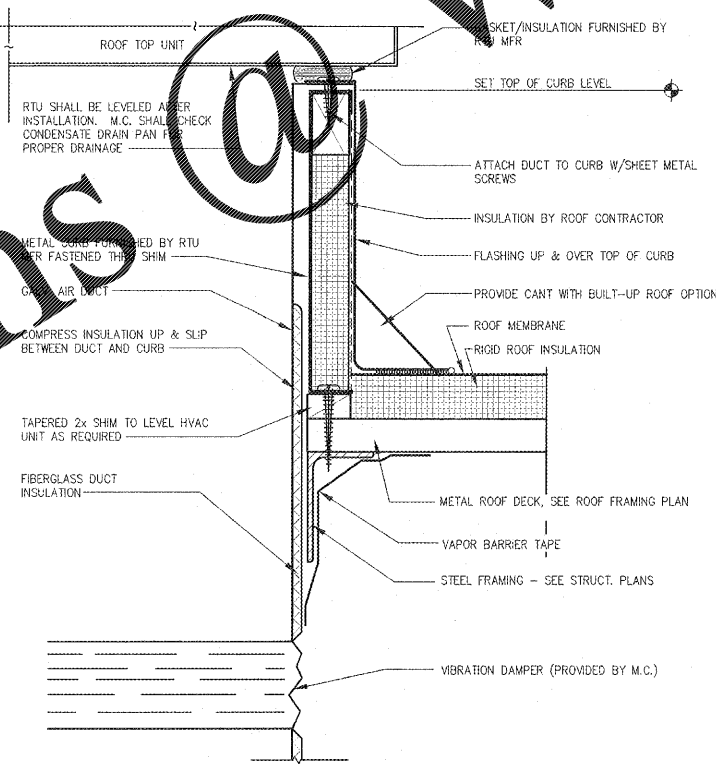


NOTE: 1. THIS IS AN ASHRAE TYPE 3 VANE AVAILABLE FROM BARBER-COLEMAN OR SHOP FAB. WITH RAILS FROM "EAST COAST METAL DISTRIBUTORS" OR EQUAL.

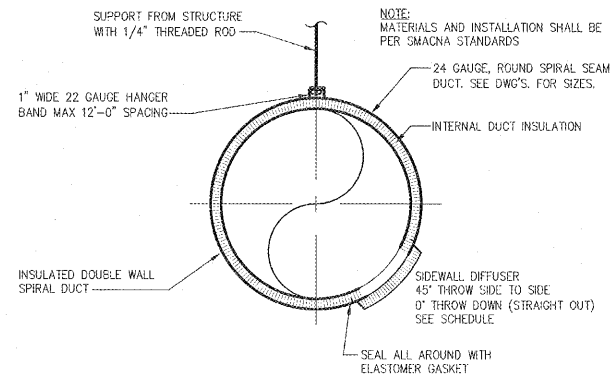
4 TYPICAL DUCT ELBOW
M501 SCALE: NONE



5 FLEX DUCT CONNECTION TO DIFFUSERS AND SHEETMETAL DUCTWORK COLLARS
M501 SCALE: NONE

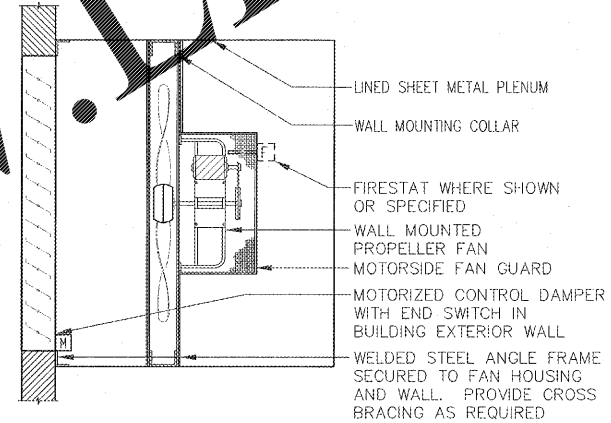


6 ROOF CURB DETAIL
M501 SCALE: NONE



ROUND DUCT SPECIFICATIONS:
EXPOSED ROUND DUCTWORK IN SALES AREA SHALL BE 24 GAUGE, DOUBLE WALL GALVANIZED STEEL, SPIRAL LOCKSEAM. FITTINGS SHALL BE DOUBLE WALL GALVANIZED STEEL, STANDING SEAM OR SOLID WELDED CONSTRUCTION. ELBOWS SHALL BE STANDING SEAM, GORED ELBOWS. IF REQUIRED, GRILLE COLLARS SHALL BE ATTACHED TO THE DUCTWORK WITH POP RIVETS WITH A FINISHING FILET OF ELASTOMER SEAL AT THE JUNCTION OF THE COLLAR TO THE DUCT. DUCT-TO-DUCT JOINTS SHALL BE MADE WITH THE SPIRAL SEAM DESIGN SO THAT THE STANDING SEAM FORMS A CONTINUOUS HELICAL PATTERN ACROSS THE JOINT. ALL DUCTWORK AND FITTINGS SHALL BE MANUFACTURED IN ACCORDANCE WITH SMACNA'S HVAC DUCT CONSTRUCTION STANDARDS, LATEST EDITION. ALL EXPOSED ROUND DUCTWORK AND FITTINGS IN THE SALES AREA SHALL BE CLEANED OF OILS AND DIRT PRIOR TO INSTALLATION AND PROVIDED WITH A MILL PHOSPHITIZED FINISH ("PAINT GRIP", "ZINC RICH", OR SIMILAR TREATMENT) TO ALLOW THE DUCTWORK TO BE PAINTED.

7 EXPOSED SPIRAL SUPPLY DUCT DETAIL
M501 SCALE: NONE



8 TYPICAL WALL MOUNTED FAN WITH PLENUM
M501 SCALE: NONE



PROJECT: SHERWIN WILLIAMS
1960 GADSDEN HIGHWAY
TRUSSVILLE, AL 35235
DRAWING: MECHANICAL DETAILS

Revisions	
REVISION DATE	

PROJECT DATE: 1/17/2019
Drawn By: RJB
Checked By: MJM
Sheet No. M501