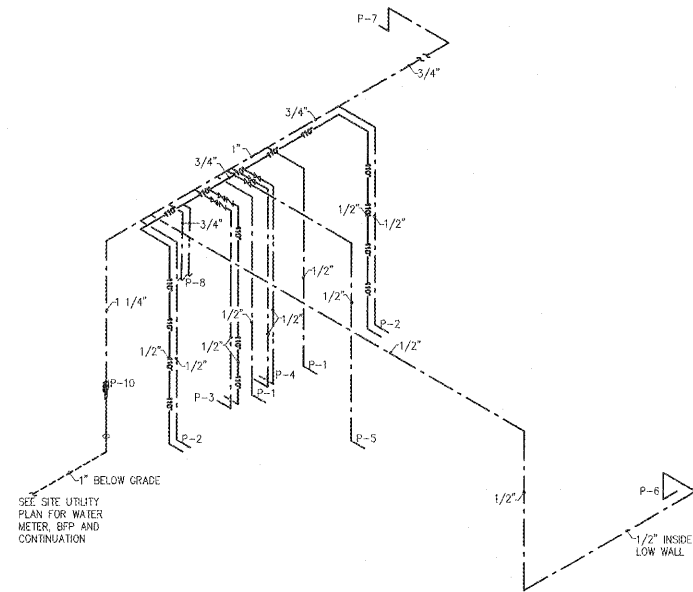
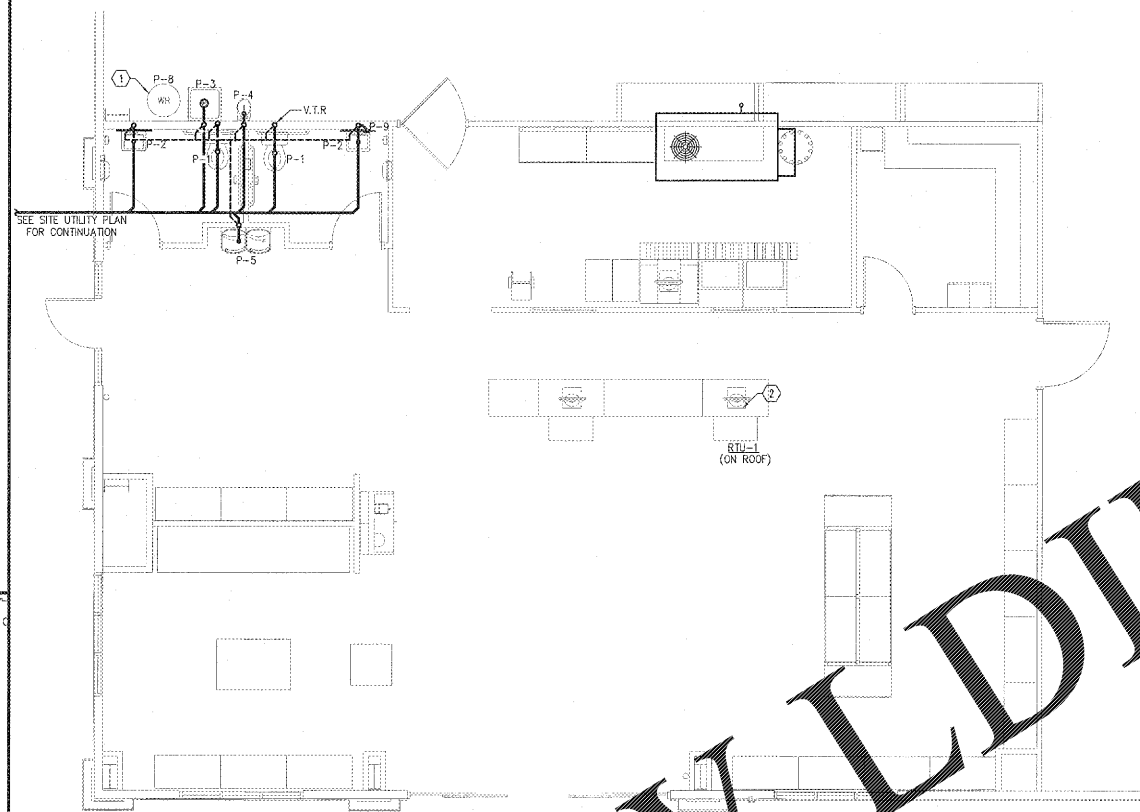


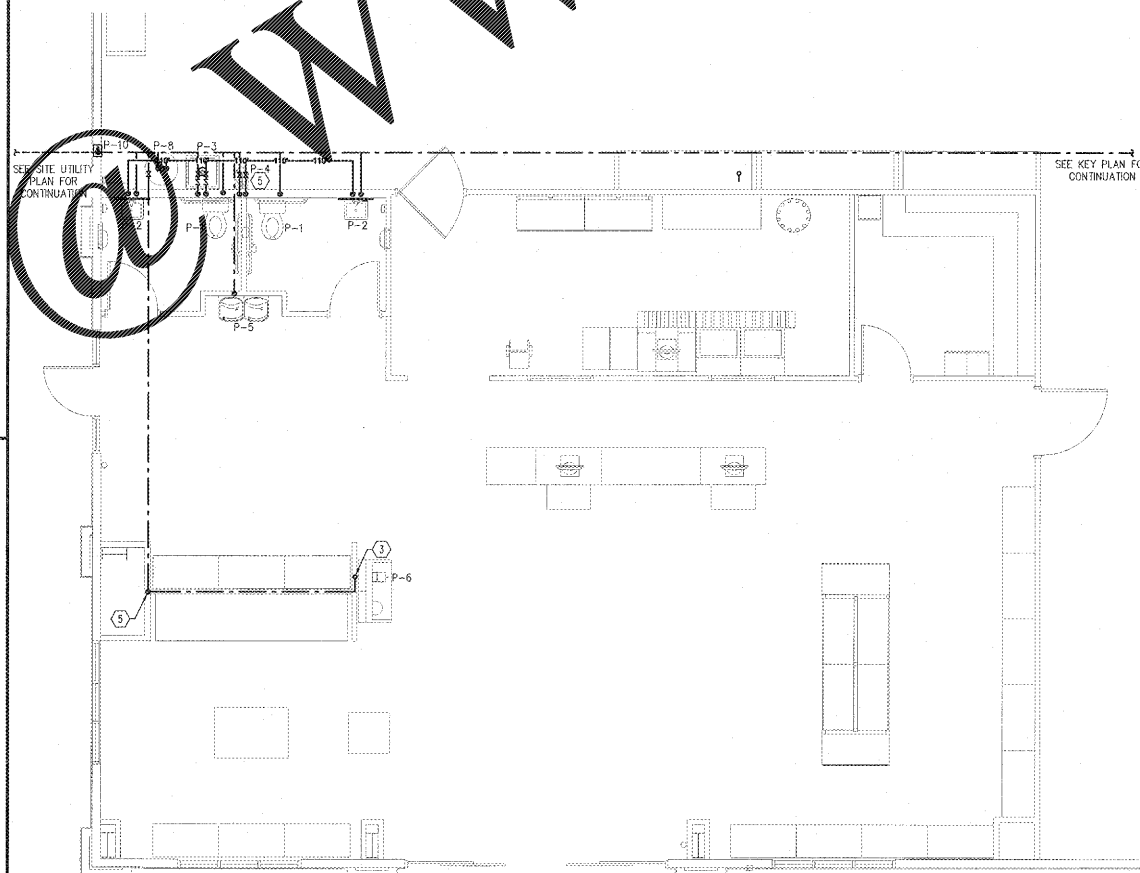
3 WASTE/VENT RISER
P111 SCALE: N.T.S.



4 WATER SUPPLY RISER
P111 SCALE: N.T.S.



1 PARTIAL PLUMBING WASTE/VENT PLAN
P111 SCALE: 3/16" = 1'-0"



2 PARTIAL PLUMBING WATER SUPPLY PLAN
P111 SCALE: 3/16" = 1'-0"

GENERAL NOTES

- SEE SHEET P1 FOR ALL GENERAL NOTES.
- DUCTWORK, CONDUIT AND PIPING SHALL BE INSTALLED BETWEEN TRUSSES OR THROUGH TRUSSES IN CEILING SHIPPING ROOM AS SHOWN WITH ALL ITEMS LOCATED ABOVE THE BOTTOM OF STRUCTURE UNLESS OTHERWISE NOTED ON PLAN.
- FC SHALL TEST ALL EQUIPMENT AND PIPING CONNECTIONS FOR LEAKS AS PART OF FINAL COMPLETION OF CONSTRUCTION PROCESS.

IF ANY DISCREPANCIES ARE FOUND ON THE PLANS, THE PLUMBING CONTRACTOR SHALL BID AND INSTALL THE MORE CONSERVATIVE SPECIFICATION AND CALL ENGINEER FOR CLARIFICATION.

WHILE EVERY ATTEMPT HAS BEEN MADE IN THE PREPARATION OF THIS PLAN TO AVOID MISTAKES, THE DESIGNER AND COMPANY CANNOT GUARANTEE AGAINST ERROR OR UNFORESEEN FIELD CONDITIONS. THE CONTRACTOR OR BUILDER MUST CHECK ALL DIMENSIONS, DETAILS AND REPORT ANY DISCREPANCIES.

CONSTRUCTION NOTES

- ROUTE WATER HEATER T&P VALVE DOWN INSIDE WALL AND TERMINATE INDIRECTLY OVER SERVICE SINK WITH AIR GAP TWICE THE DIAMETER OF DRAIN PIPE (2").
- ROUTE 1" RTR CONDENSATE DRAIN PIPING TO DOWNBOUT AND TERMINATE INDIRECTLY WITH AIR GAP TWICE THE DIAMETER OF DRAIN PIPE (2"). SEE SPEC. 3/PE01.
- ROUTE WATER SUPPLY PIPING TO COFFEE STATION OUT-OFF VALVE. SUPPLY WATTS SD3 BACKFLOW PREVENTER AND QUICK DISCONNECT FOR EASY SERVICE.
- PROVIDE TEMPERATURE VALVE BELOW EMERGENCY EYE WASH AND SET TEMPERATURE PER MANUFACTURERS RECOMMENDATIONS.
- P.C. SHALL RUN COLD WATER IN LOW WALL INTO CABINET.

LHMT Project No. 19100

THIS DRAWING IS THE PROPERTY OF THE PROJECT AND MAY NOT BE REPRODUCED OR USED WITHOUT THE WRITTEN PERMISSION.



PROJECT: **SHERWIN WILLIAMS**
1980 GADSDEN HIGHWAY
TRUSSVILLE, AL 35235
DRAWING: PLUMBING PLANS AND RISERS

Revisions

REVISION	DATE

PROJECT DATE
1/17/2019

Drawn By
JCL

Checked By
SDS

Sheet No.

P111

Order Plans

WWW.WALDILLING.COM