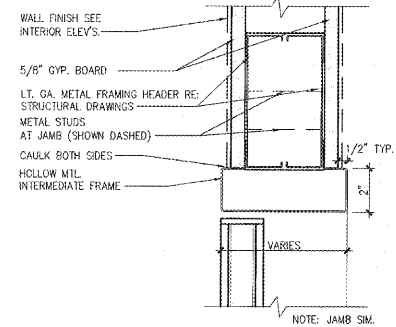
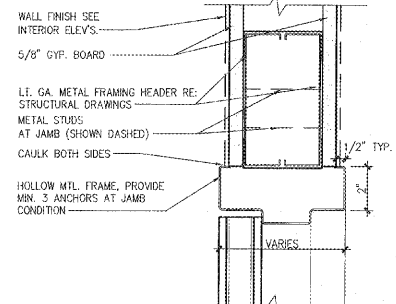


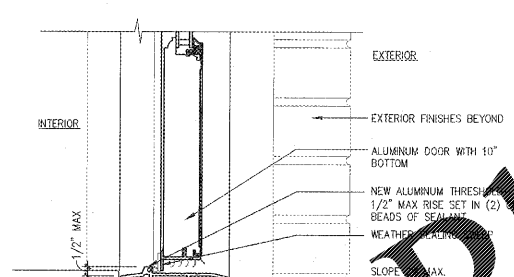
5 H.M. EXT. JAMB DETAIL
A601 SCALE: 3" = 1'-0"



4 INTERIOR HEAD DETAIL
A601 SCALE: 3" = 1'-0"



3 INTERIOR HEAD/JAMB DETAIL
A601 SCALE: 3" = 1'-0"

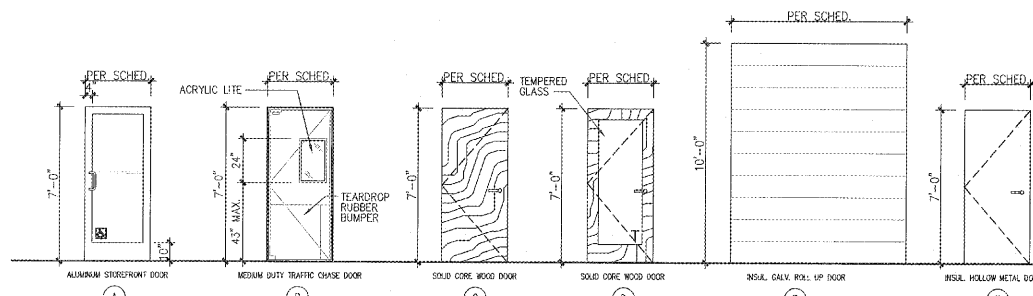


2 ALUMINUM DOOR THRESHOLD DETAIL
A601 SCALE: 3" = 1'-0"



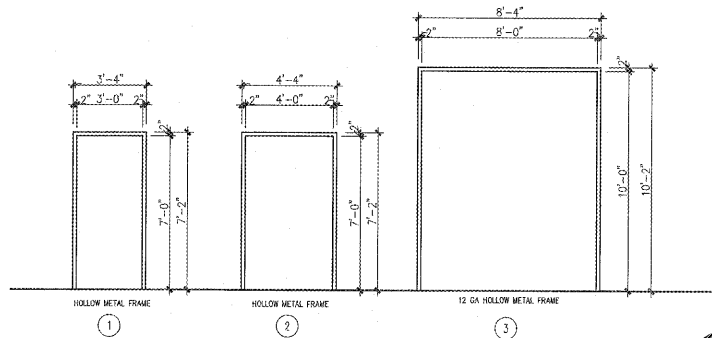
1 HOLLOW METAL DOOR THRESHOLD DETAIL
A601 SCALE: 3" = 1'-0"

DOOR TYPES

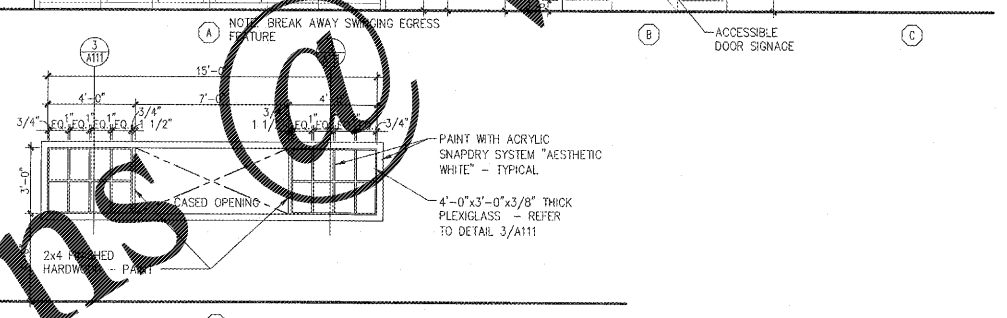
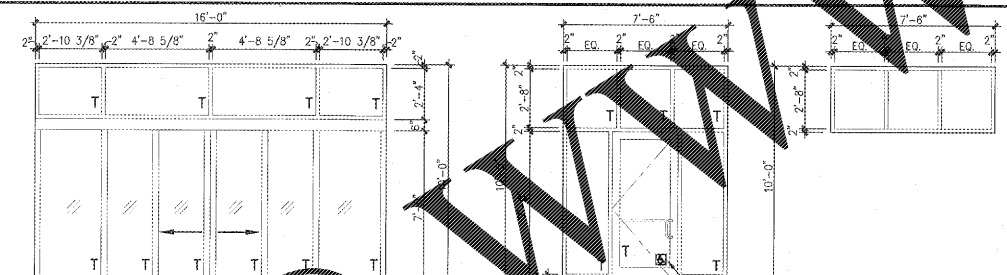


NOTE: THE LOCKING DEVICE SHALL BE READILY DISTINGUISHABLE AS LOCKED

DOOR FRAMES



WINDOW FRAMES VIEW FROM OUTSIDE



GENERAL NOTES

- DOORS SHALL SWING INTO THE FULLY OPEN POSITION WHEN AN OPENING FORCE NOT TO EXCEED 8.5 POUNDS ON EXTERIOR DOORS, 5 POUNDS ON INTERIOR DOORS, AND 15 POUNDS ON FIRE DOORS IS APPLIED TO THE LATCH SIDE.
- ALL DOORS TO BE PROVIDED WITH THE BOTTOM 10" WITH A SMOOTH, UNINTERRUPTED SURFACE THAT ALLOWS DOOR TO BE OPENED BY A WHEELCHAIR FOOTREST WITHOUT CREATING A TRAP OR HAZARDOUS CONDITION.
- CONTRACTOR RESPONSIBLE SUPPLYING, RECEIVING, UNCRATING, INSTALLATION, & CLEAN-UP.
- ALL DIMENSIONS ARE FOR BIDDING PURPOSES ONLY. CONTRACTOR SHALL VERIFY ALL DIMENSIONS PRIOR TO FABRICATION.
- FIELD VERIFY ALL ROUGH IN DIMENSIONS FOR WINDOWS AND DOORS PRIOR TO ORDERING.

"T" DENOTES TEMPERED SAFETY GLASS

ALL GLAZING TO MEET LOCAL ENERGY CODE - SEE THERMAL ENVELOPE

NOTE: ALL BREAK METAL ASSOCIATED WITH STOREFRONT SHALL BE PROVIDED BY STOREFRONT/GLAZING CONTRACTOR.

NOTE: ALL STOREFRONT SHALL BE PROVIDED WITH HEAD RECEPTOR AT TOP TO PROVIDE 1/2" OF ALLOWABLE MOVEMENT

DOOR AND FRAME SCHEDULE

NUMBER	LOCATION	DOOR			FRAME			DETAILS			HARDWARE SET	REMARKS
		SIZE	TYPE	MATERIAL FINISH	MATERIAL TYPE FINISH	HEAD	JAMB	SILL				
100	ENTRY	5'-2" x 7'-0"	-	ALUM	ALUM	A				5	ALUMINUM SLIDING ENTRANCE - FORMAX + STANLEY IS ACCEPTABLE	
100A	SALES	3'-0" x 7'-0"	A	ALUM	ALUM	B				2/A601		
101	MEN	3'-0" x 7'-0"	C	WOOD	HM	1	3/A601	3/A601		2	SOLID CORE, FLUSH, BIRCH VENEER	
102	WOMEN	3'-0" x 7'-0"	C	WOOD	HM	1	3/A601	3/A601		2	SOLID CORE, FLUSH, BIRCH VENEER	
103	STAGING	4'-0" x 7'-0"	B	H.M.	HM	2	4/A601	4/A601			HEADRECEPTOR TO BE PROVIDED AT TOP TO PROVIDE 1/2" OF ALLOWABLE MOVEMENT	
104	OFFICE	3'-0" x 7'-0"	D	WOOD/GLASS	HM	1	3/A601	3/A601			SOLID CORE, FLUSH, BIRCH VENEER	
105	STOCK ROOM	4'-0" x 7'-0"	C	WOOD	HM	1	3/A601	3/A601				
105A	STOCK ROOM	3'-0" x 7'-0"	F	INSULATED H.M.	HM	1	10/AS01	10/AS01	1/A601		INSULATED HOLLOW METAL DOOR	
105B	STOCK ROOM	8'-0" x 10'-0"	E	STEEL	HM	3	14/AS01	13/AS01			OVERHEAD DOOR SERIES 625	
105C	STOCK ROOM	3'-0" x 7'-0"	F	INSULATED H.M.	HM	1	10/AS01	10/AS01	1/A601	4	INSULATED HOLLOW METAL DOOR	

HM = HOLLOW METAL
PL = PLASTIC LAMINATE
S.S. = STAINLESS STEEL
MFR = MANUFACTURER
* = CONFIRM EXIST. HARDWARE TO THAT SPECIFIED. IF NOT, REPLACE WITH NEW.

DOOR SCHEDULE NOTES:

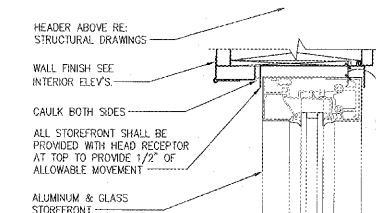
- UNDERCUT DOOR 1"
- PROVIDE SECURITY THRESHOLD TO COMPLY WITH ACCESSIBILITY REQUIREMENTS
- PROVIDE THRESHOLD TO CONFORM TO ANSI A117.1 - MLL FINISH EXTRUDED ALUMINUM EXCEPT AS OTHERWISE SPECIFIED. DOOR THRESHOLD SHALL BE INSTALLED IN A BEAD SEALANT WITH 1/4" x 20 STAINLESS STEEL MACHINE SCREWS AND EXPANSION SHIELDS.
- DOOR STRIPS (INCLUDING POSI-LOCK) SHALL CONFORM TO ANSI A56.22 AND BE RUBBER VINYL. AIR LEAKAGE SHALL NOT EXCEED 0.50 CFM PER SQ. FT. OF CRACK LENGTH.

GENERAL NOTES:

- CORES SHALL NOT BE REQUIRED TO BE KEYED ALIKE.
 - REKEYING SHALL CONFORM TO THE SHERWIN-WILLIAMS GRAND MASTER KEY SYSTEM.
 - JAMB ANCHORS:
- ANCHORS ON JAMBS NEAR TOP AND BOTTOM OF EACH FRAME, AND AT INTERMEDIATE POINTS NOT OVER 24" INCHES. FORM JAMB ANCHORS OF NOT LESS THAN 18 GAGE THICK STEEL UNLESS OTHERWISE SPECIFIED.
- ANCHORS SET IN MASONRY: USE ADJUSTABLE ANCHORS DESIGNED FOR FRICTION FIT AGAINST THE FRAME AND FOR EXTENSION INTO THE MASONRY NOT LESS THAN 5 INCHES. EMBED ANCHORS IN MORTAR. FILL SPACE BETWEEN FRAME AND MASONRY WALL WITH GROUT OR MORTAR AS WALLS ARE BUILT. COAT FRAME BACK WITH A BITUMINOUS COATING PRIOR TO LINING OF GROUT FILLING IN MASONRY WALLS.
- ANCHORS FOR STUD PARTITIONS: EITHER WELD TO FRAME OR USE LOCK-IN SNAP-IN TYPE. PROVIDE TABS FOR SECURING ANCHOR TO THE SIDES OF THE STUDS. SECURE ANCHORS TO SIDES OF STUDS WITH TWO FASTENERS THROUGH ANCHOR TABS. USE STEEL DRILL SCREWS TO STEEL STUDS.
- ANCHORS FOR FRAMES SET IN PREPARED OPENINGS: HAT SHAPED FORMED STRAP SPACERS, 2 INCHES WIDE, WELDED TO JAMB NEAR STOP. DRILL JAMB STOP AND STRAP SPACERS FOR 1/4" INCH FLAT HEAD BOLTS TO PASS THRU FRAME AND SPACERS.
- FRAMES SET IN PREPARED OPENING OF MASONRY OR CONCRETE: EXPANSION BOLT TO WALL WITH 1/4" INCH EXPANSION BOLTS THROUGH SPACERS WHERE SUBFRAME OR ROUGH BUCKS ARE USED, 1/4" EXPANSION BOLTS ON 24 INCH CENTERS OR POWER ACTIVATED DRIVE PINS 24 ON CENTERS. SECURE TWO PIECE FRAMES TO SUBFRAME OR ROUGH BUCK WITH MACHINE SCREWS ON BOTH FACES.

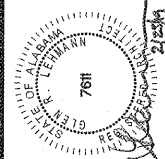
HARDWARE SCHEDULE

SET 1: OFFICE	CONTINUOUS CEARED HINGE OFFICE LOCK WALL STOP SILENCERS	SCHLAGE TUBULAR ND50PD SFIC IVES 407-1/2S GLYNN JOHNSON GJ-64	FINISH: 626 FINISH: 320
SET 2: RESTROOMS (PRIVACY)	BUTTS PRIVACY LOCK WALL STOP CLOSER SILENCERS	STANLEY FBB179 4 1/2" X 4 1/2" NRP SCHLAGE TUBULAR ND40S IVES 407-1/2S NORTON 1601-BF GLYNN JOHNSON GJ-64	FINISH: 652 FINISH: 626 FINISH: 320 FINISH: AL
SET 3: EXTERIOR OVERHEAD	SLIDE BOLTS BOTH SIDES		
SET 4: EXTERIOR	BUTTS EXIT DEVICE PULL PLATE CLOSER SILENCERS WEATHER STRIP DOOR SWEEP	STANLEY FBB179 4 1/2" X 4 1/2" NRP YALE MODEL 2100 - SB YALE 217 - SB P NORTON UNI 1605 PC-N FINISH: AL GLYNN JOHNSON GJ-64 FINISH: AL NATIONAL GUARD 152-36"x84" FINISH: AL NATIONAL GUARD 97V-36" FINISH: AL	FINISH: 652
SET 5: SLIDING DOORS	MORTISE CYLINDER LOCK WITH THUMB LATCH ON INTERIOR LOW PROFILE ADA THRESHOLD MOTION SENSORS		



6 HEAD RECEPTOR DETAIL
A601 SCALE: 3" = 1'-0"

LMHT Project No. 19100
SEE DRAWING IS THE PROPERTY OF THE ARCHITECT AND NOT TO BE REPRODUCED OR USED WITHOUT THE WRITTEN PERMISSION
LMHT ASSOCIATES
3045 Carverton Mill Blvd.
Birmingham, AL 35244-0005
Phone: 919.924.0005



PROJECT: SHERWIN WILLIAMS
1980 GADSDEN HIGHWAY
TRUSSVILLE, AL 35235
DRAWING: DOOR + WINDOW DETAILS

Revisions

REVISION DATE

PROJECT DATE
1/17/2019

Drawn By
MTP

Checked By
TD

Sheet No.

A601