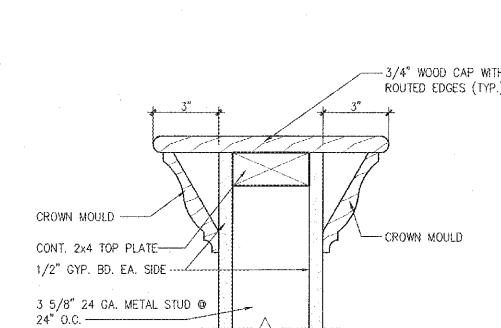
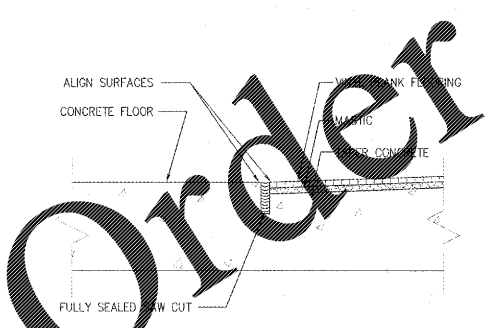


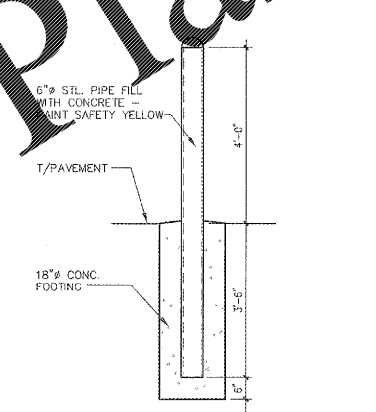
9 STRIPING DETAILS
 A502 SCALE: 3/4" = 1'-0"
 NOTE: CONFIRM ALL FLOOR STRIPING LOCATIONS WITH SW ENGINEER PRIOR TO APPLICATION. NOT ALL OPTIONS PROVIDED WILL BE USED. LETTERS SHALL BE MINIMUM 2" HIGH AND SHALL CONTRAST WITH THE BACKGROUND COLOR. ALL BORDERS AND STRIPES SHALL BE 4" WIDE. STRIPES WHERE INDICATED SHALL BE SPACED 8" APART AND APPLIED DIAGONALLY, STRIPE REGULATORY AND CAUTIONARY AREAS IN YELLOW. OTHER REQUIRED STRIPED AREAS MAY BE ANY SW APPROVED COLOR.



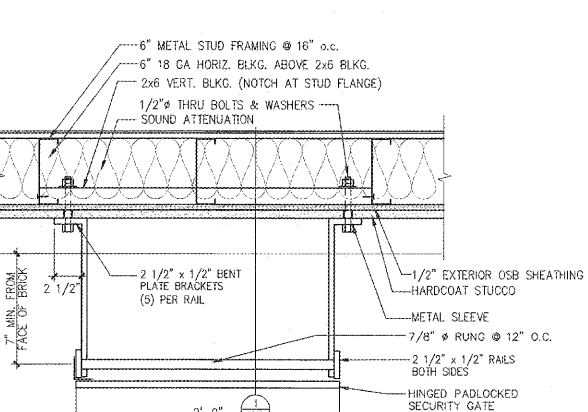
10 T-WALL END CAP DETAIL
 A502 SCALE: 3" = 1'-0"



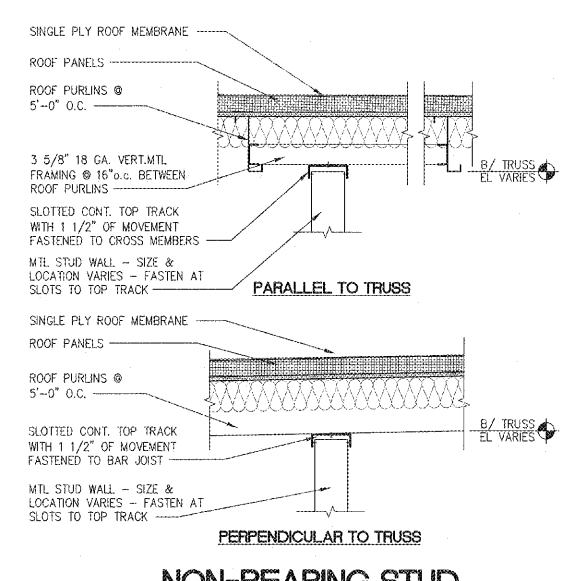
11 FLOOR TRANSITION DETAIL
 A502 SCALE: 3" = 1'-0"



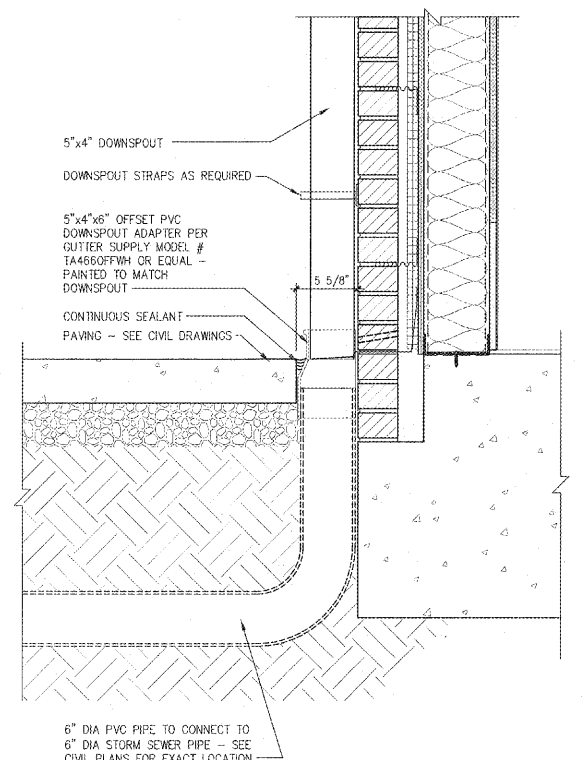
8 TYPICAL BOLLARD
 A502 SCALE: 1/2" = 1'-0"



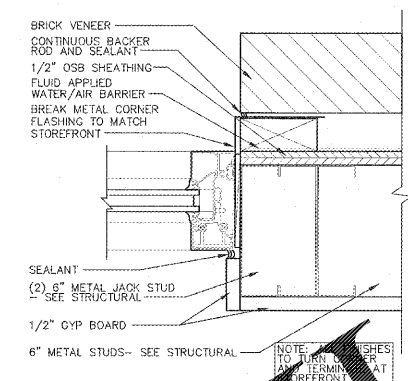
7 LADDER DETAIL
 A502 SCALE: 1 1/2" = 1'-0"



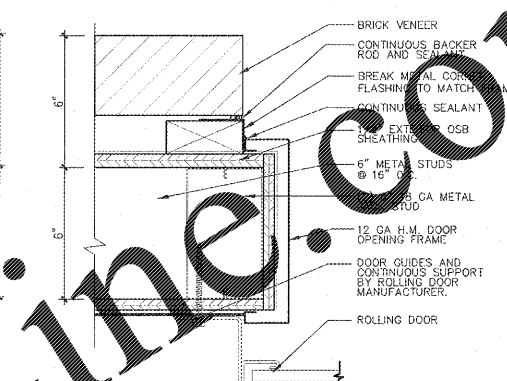
4 NON-BEARING STUD WALL SUPPORT TO TRUSS
 A502 SCALE: 3/4" = 1'-0"



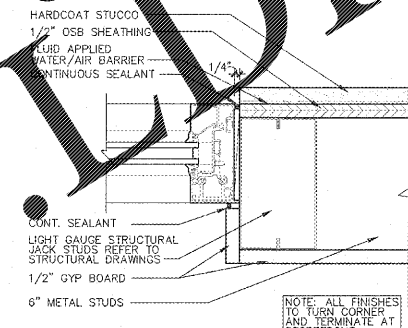
1 MAIN ROOF DOWNSPOUT DETAIL
 A502 SCALE: 1-1/2" = 1'-0"



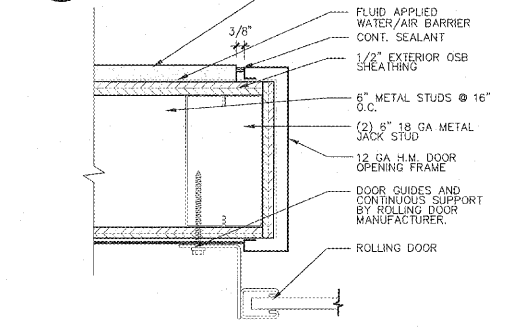
6 STOREFRONT WINDOW JAMB DETAIL
 A502 SCALE: 3" = 1'-0"



3 OVERHEAD DOOR JAMB DETAIL
 A502 SCALE: 3" = 1'-0"



5 STOREFRONT WINDOW JAMB DETAIL
 A502 SCALE: 3" = 1'-0"



2 OVERHEAD DOOR JAMB DETAIL
 A502 SCALE: 3" = 1'-0"

PROJECT: SHERWIN WILLIAMS
 1980 GADSDEN HIGHWAY
 TRUSSVILLE, AL 35235

Revision	Revision Date

PROJECT DATE: 1/17/2019
 Drawn By: MTP
 Checked By: TD

Sheet No. A502

Order Plans @ WWWW