

THIS DRAWING IS THE PROPERTY OF THE ARCHITECT AND MAY NOT BE REPRODUCED OR USED WITHOUT HIS WRITTEN PERMISSION

ARCHITECT
LIMIT ASSOCIATES
1305 Carver Ave. N.W.
Suite 100
Tomball, TX 77375
Phone: 281-293-2277
Fax: 281-293-2279



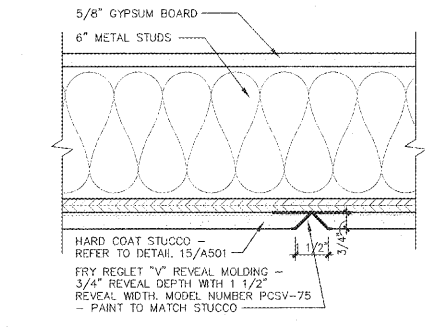
PROJECT: **SHERWIN WILLIAMS**
1980 GADSDEN HIGHWAY
TRUSSVILLE, AL 35235
DRAWING: EXTERIOR DETAILS

Revisions

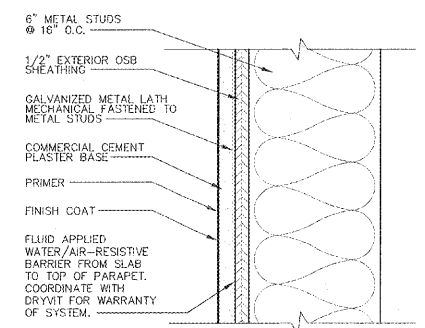
REVISION DATE

PROJECT DATE: 1/17/2019
Drawn By: MTP
Checked By: TD

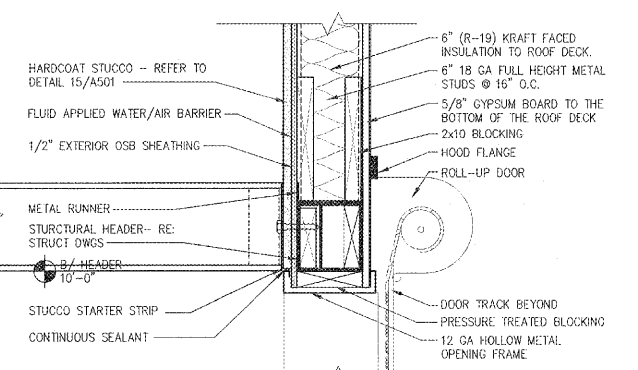
Sheet No. **A501**



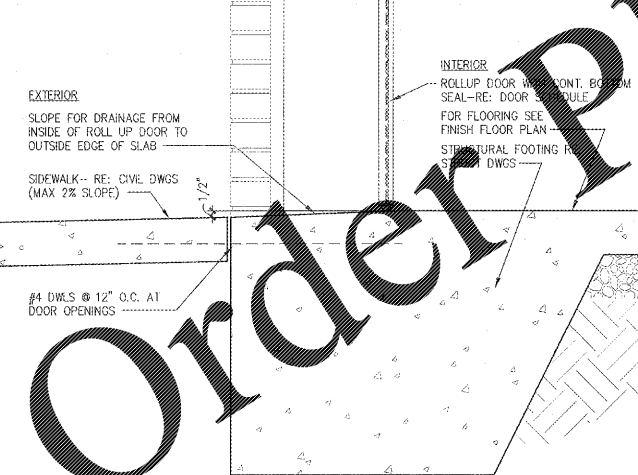
16 **STUCCO "V" GROOVE JOINT DETAIL**
A501 SCALE: 3" = 1'-0"



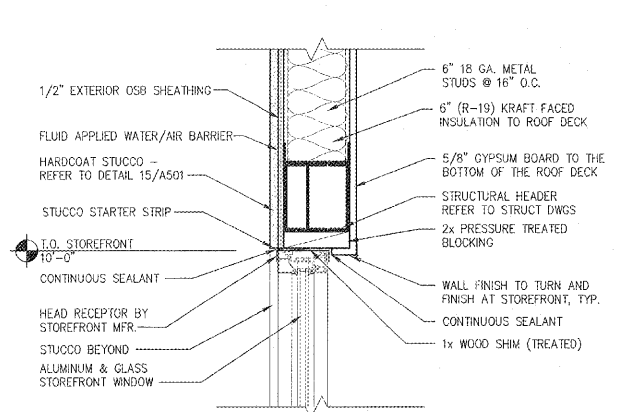
15 **TYPICAL STUCCO DETAIL**
A501 SCALE: 3" = 1'-0"
NOTE: REFER TO MANUFACTURER'S DETAILS ON INSTALLING HARDCOAT STUCCO.



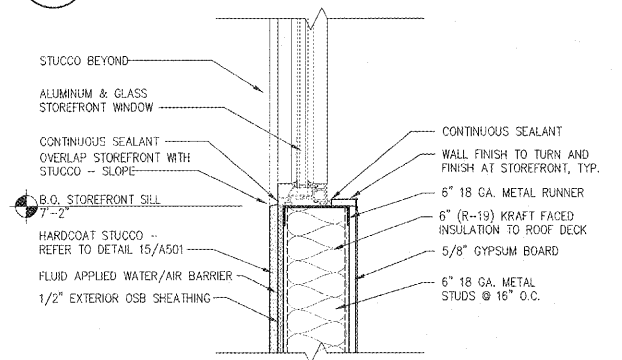
14 **ROLL-UP DOOR HEAD DETAIL**
A501 SCALE: 1 1/2" = 1'-0"



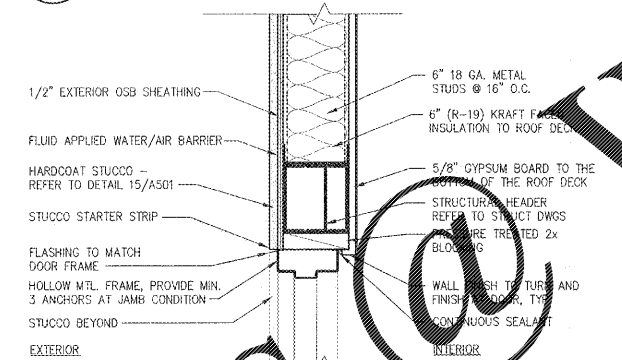
13 **ROLL-UP DOOR FOUNDATION DETAIL**
A501 SCALE: 1 1/2" = 1'-0"



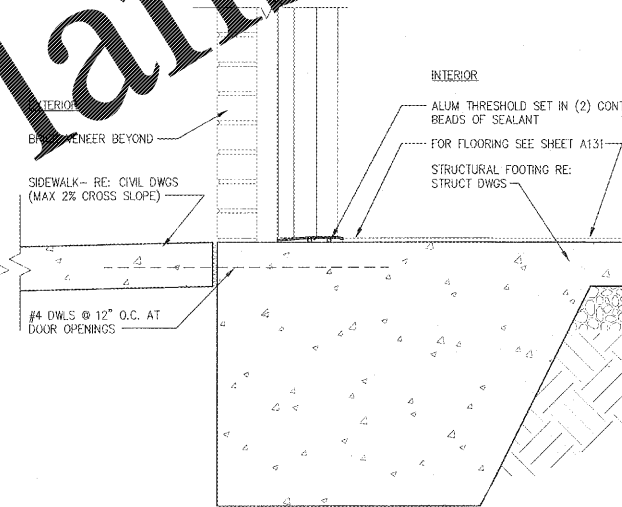
12 **STOREFRONT HEAD DETAIL**
A501 SCALE: 1 1/2" = 1'-0"



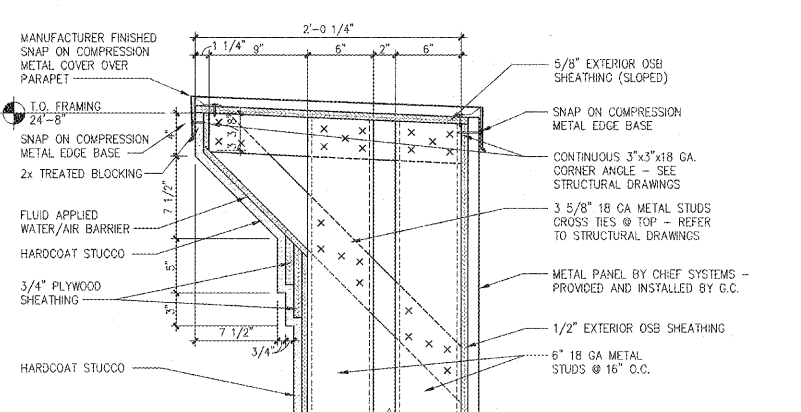
11 **STOREFRONT SILL DETAIL**
A501 SCALE: 1 1/2" = 1'-0"



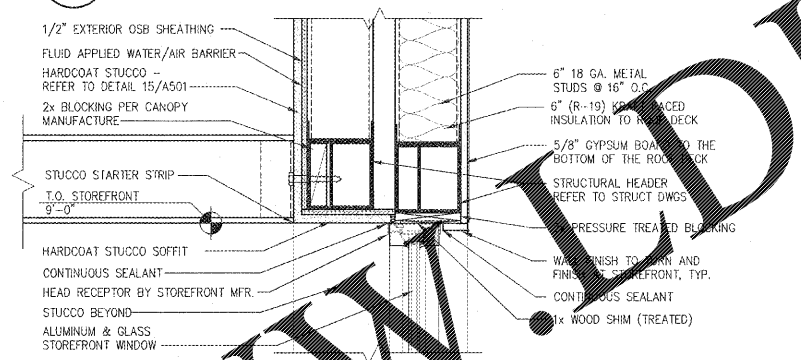
10 **H.M. DOOR HEAD DETAIL**
A501 SCALE: 1 1/2" = 1'-0"



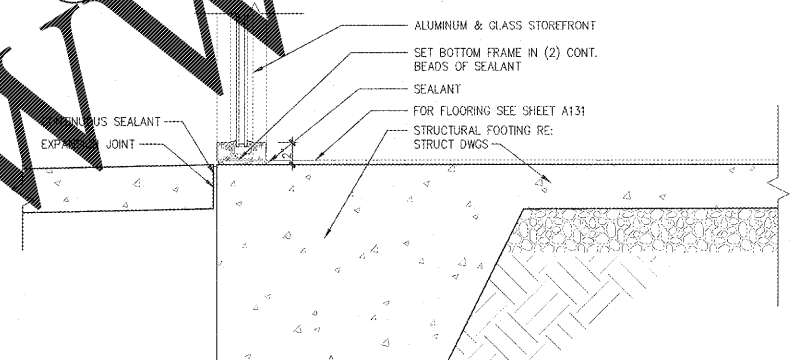
9 **DOOR FOUNDATION DETAIL**
A501 SCALE: 1 1/2" = 1'-0"



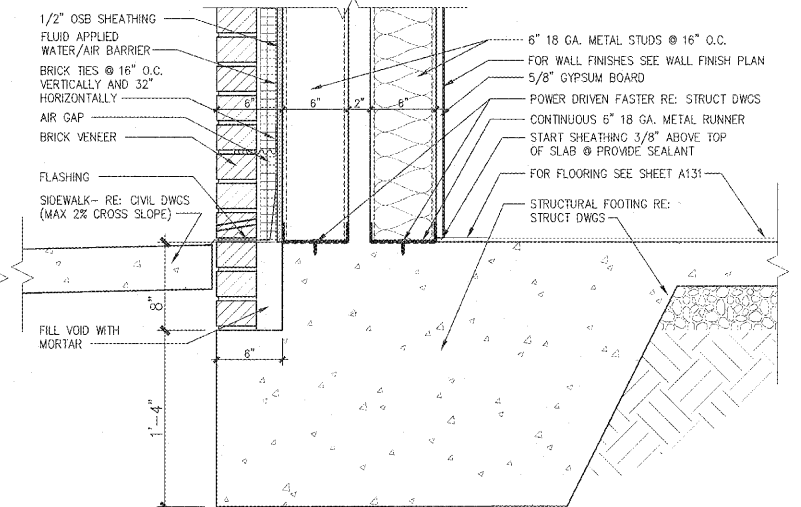
8 **HIGH PARAPET DETAIL**
A501 SCALE: 1 1/2" = 1'-0"



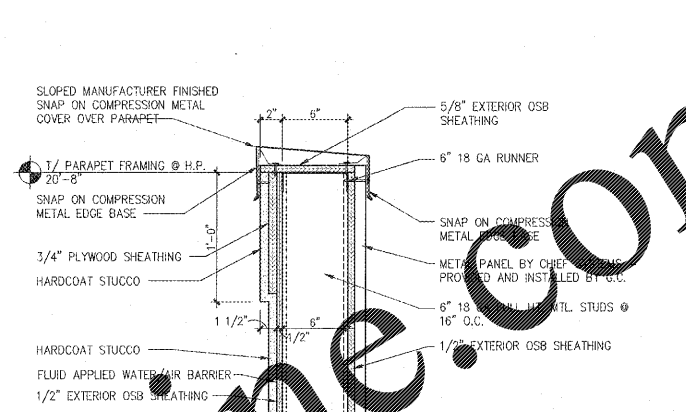
7 **STOREFRONT SILL DETAIL**
A501 SCALE: 1 1/2" = 1'-0"



6 **FOUNDATION * STOREFRONT DETAIL**
A501 SCALE: 1 1/2" = 1'-0"



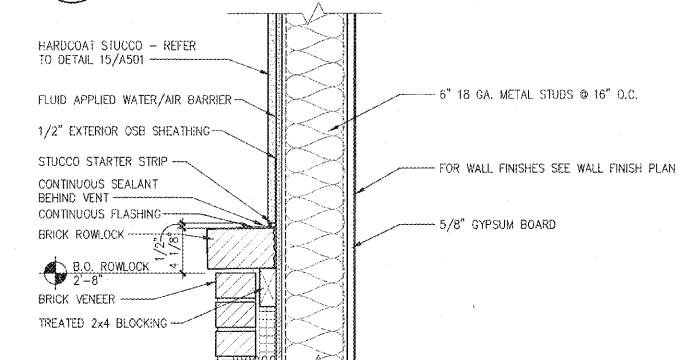
5 **TYPICAL FOUNDATION DETAIL**
A501 SCALE: 1 1/2" = 1'-0"



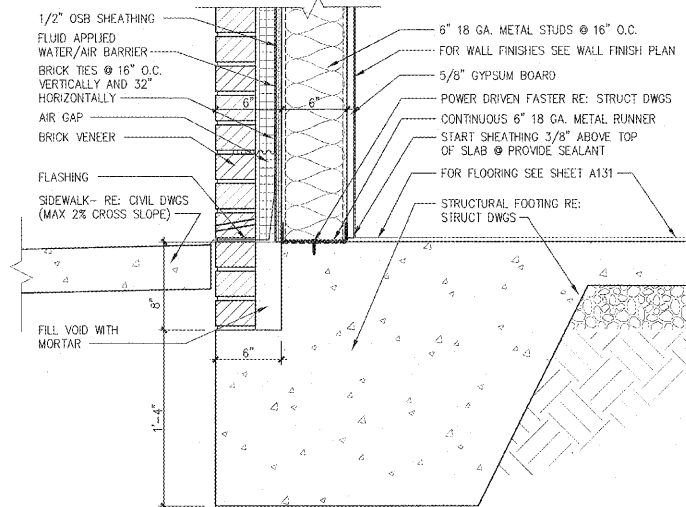
4 **TYPICAL PARAPET DETAIL**
A501 SCALE: 3" = 1'-0"



3 **NOT USED**
A501 SCALE: N/A



2 **BRICK ROWLOCK DETAIL**
A501 SCALE: 1 1/2" = 1'-0"



1 **TYPICAL FOUNDATION DETAIL**
A501 SCALE: 1 1/2" = 1'-0"

Order Plans