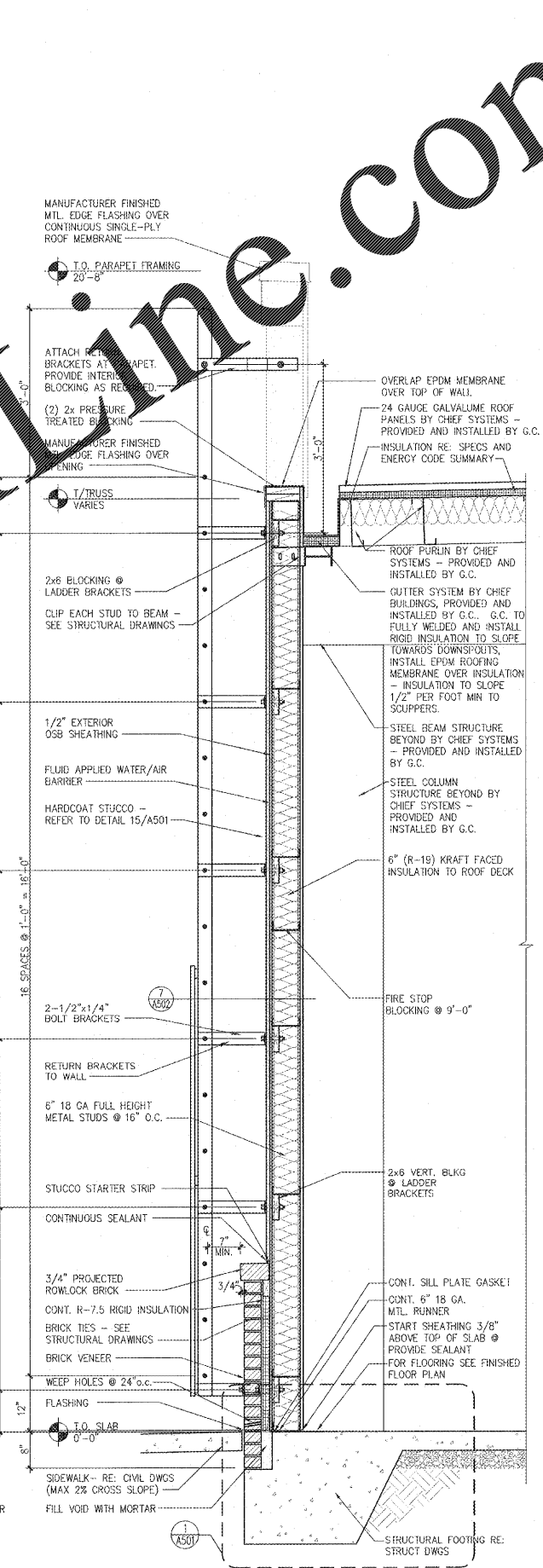
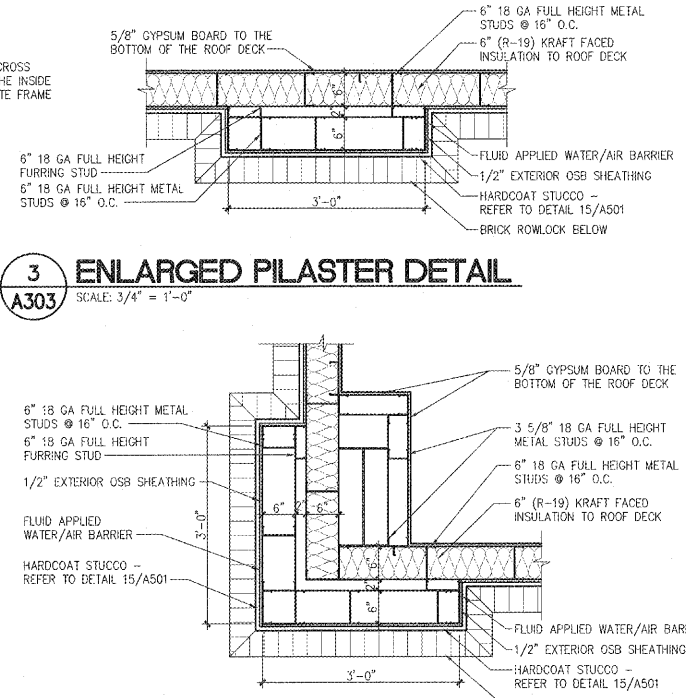
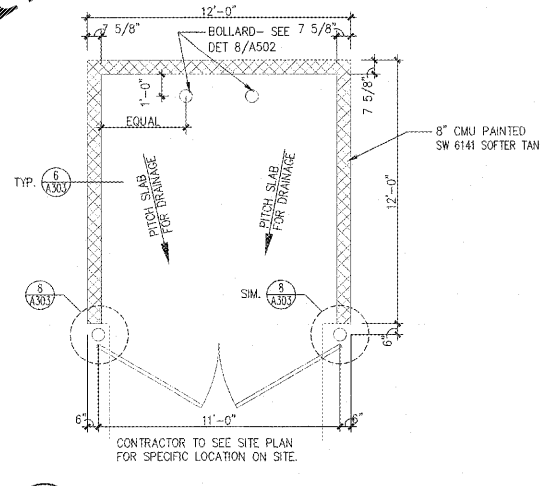
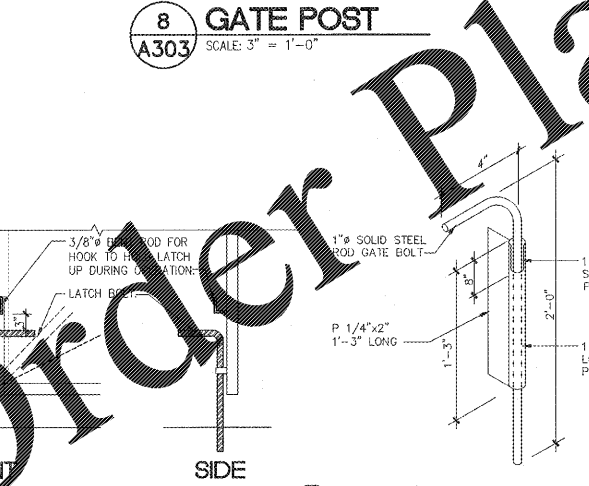
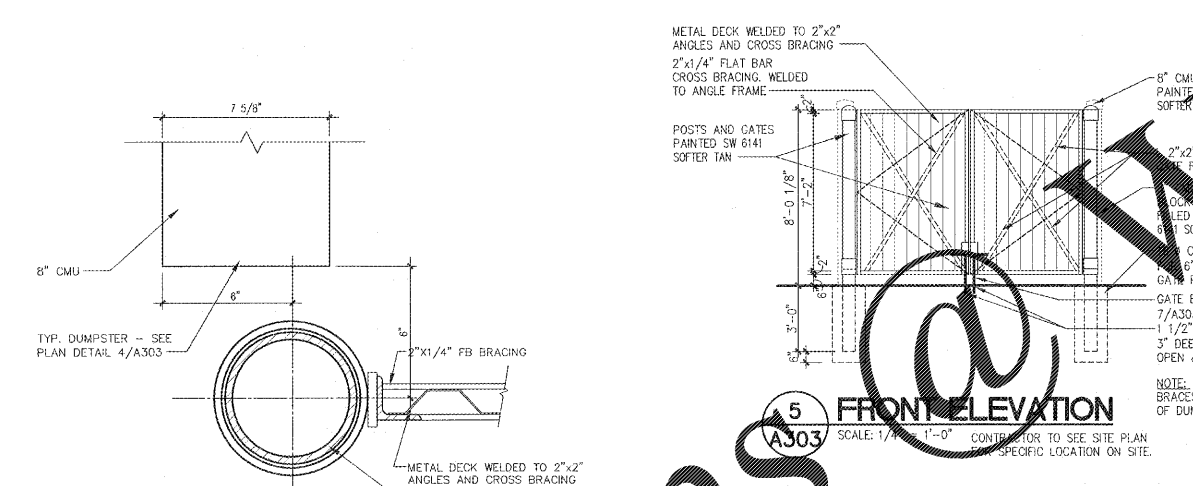
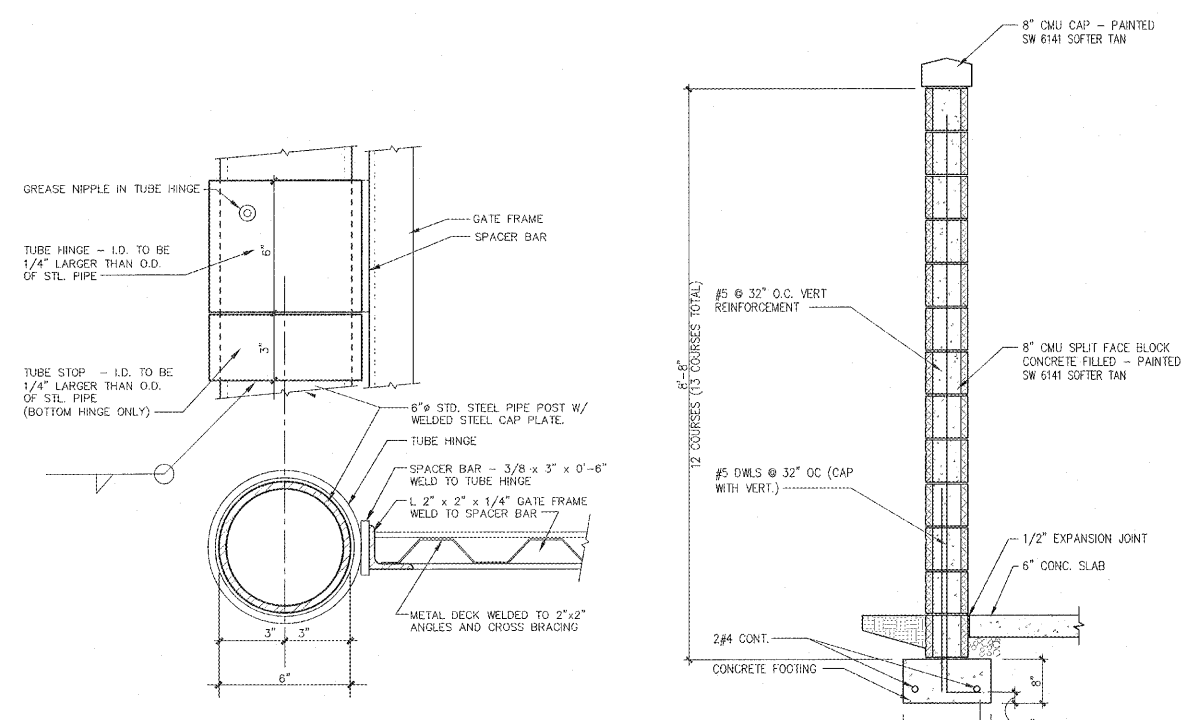


PROJECT: SHERWIN WILLIAMS  
 1980 GADSDEN HIGHWAY  
 TRUSSVILLE, AL 35235  
 DRAWING: WALL SECTIONS

Revisions	
REVISION	DATE

PROJECT DATE: 1/17/2019  
 Drawn By: MTP  
 Checked By: TD  
 Sheet No.: A303



**Order Plans**