

WALL TYPE LEGEND

- 6" METAL STUD EXTERIOR WALL - 5/8" OSB SHEATHING ON EXTERIOR FACE OF STUDS - REFER TO EXTERIOR ELEVATIONS FOR FINISH
- HARDCOAT STUCCO WITH BRICK VENEER WAINSCOT BELOW
- METAL STUD FRAMING - SEE GENERAL FINISH NOTES ON SHEET A131
- SOUND ATTENUATION

DIMENSION NOTES

- TO FACE OF STUD
- MINIMUM DIMENSION ALLOWED MAY BE MORE
- MAXIMUM DIMENSION ALLOWED (MIN. UNLESS)
- EXACT DISTANCE BETWEEN FINISHED SURFACES (ALL DIMENSIONS TO FACE OF FRAMING UNLESS OTHERWISE NOTED)
- TARGET DIMENSION WHICH MAY NOT BE ACHIEVED IN FIELD - BE AWARE OF POSSIBLE CHANGE
- ALL DIMENSIONS TO THESE FINISH SURFACES

CEILING LEGEND

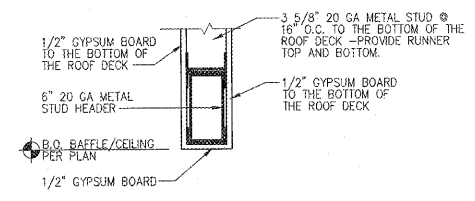
- 2X4 LIGHT FIXTURE
- LED LINEAR FIXTURE
- LED LINEAR FIXTURE WITH EM BACK UP
- UNDER CABINET LED FIXTURE
- CAN LIGHT
- EXTERIOR WALLPACK
- EXTERIOR CYLINDER
- EXTERIOR EMERGENCY LIGHT
- COMBO EXIT SIGN AND LIGHT
- CEILING FAN

GENERAL NOTES

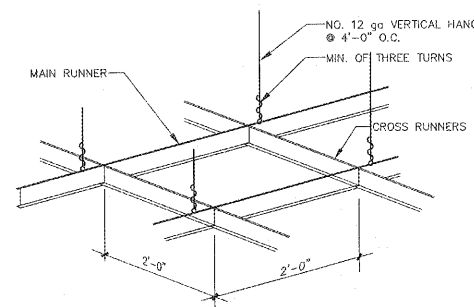
1. DO NOT SCALE DRAWINGS. REFER TO NOTED DIMENSIONS ON PLANS.
2. REFER TO ELECTRICAL SHEETS FOR LIGHTING SCHEDULE.
3. ALL ELEVATION REFERENCES INDICATED ON THIS PLAN ARE TO FRAMING, U.O.L.
4. CEILING HEIGHTS ARE FROM TOP OF SLAB FLOOR UNLESS OTHERWISE NOTED.

CONSTRUCTION NOTES

- ① METAL STUD BAFFLE. BOTTOM OF BAFFLE FRAMING @ 7'-0" PER DETAIL 3/A121
- ② EXPOSED DUCTWORK - REFER TO MECHANICAL DRAWINGS.
- ③ LINE OF NEW CANOPY - PROVIDED AND INSTALLED BY GENERAL CONTRACTOR - SEE WALL SECTIONS FOR REQUIRED BLOCKING.
- ④ OPEN TO STRUCTURE ABOVE. ALL UTILITIES MUST BE RAN TIGHT TO THE BOTTOM OF THE ROOF STRUCTURE SQUARE AND TRUE TO BUILDING WALL AND LOOK CLEAN. PAINT EXPOSED STRUCTURE, UTILITIES, AND ROOF DECK "AESTHETIC WHITE" SW-7035.

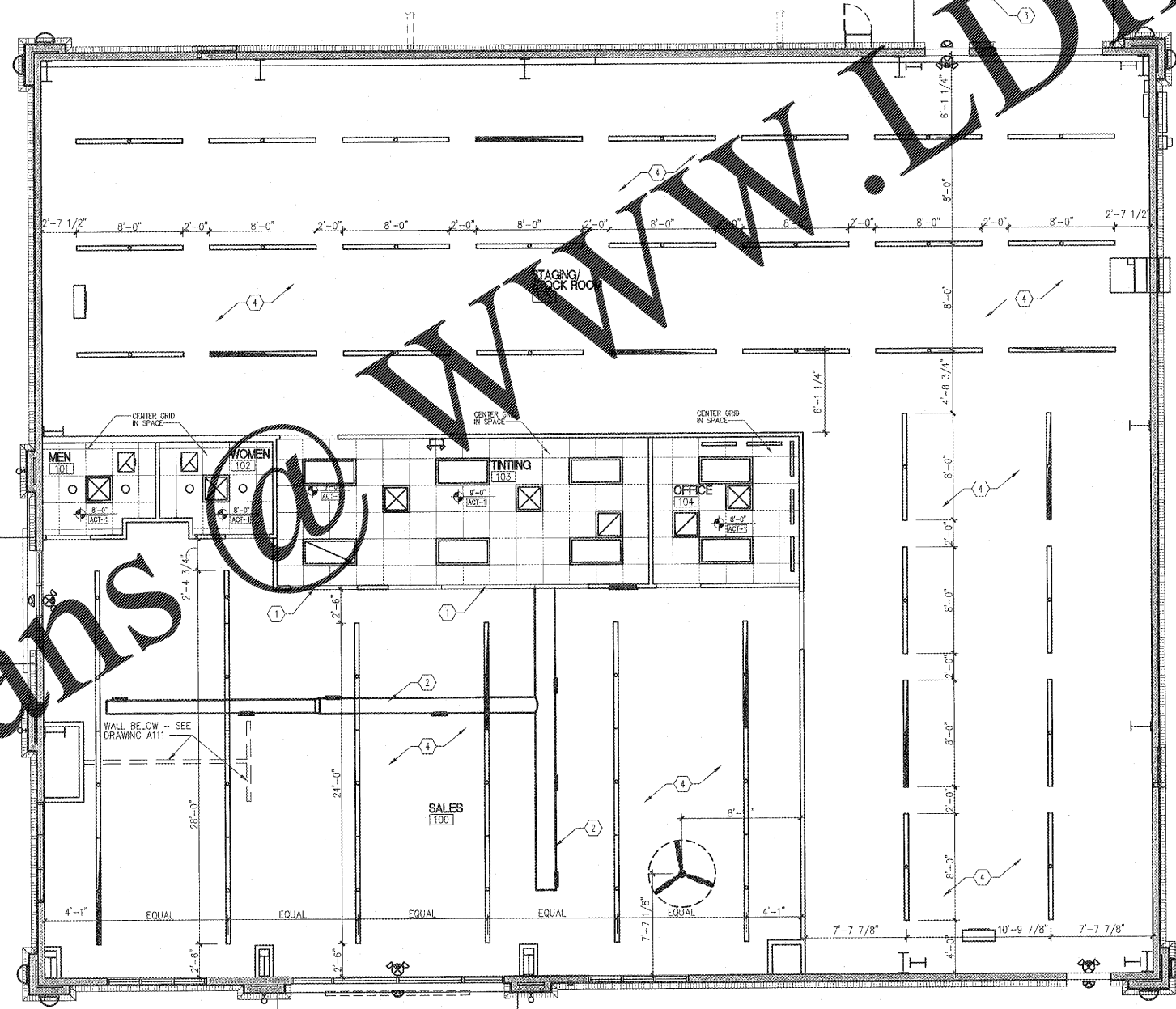


3 BAFFLE DETAIL
A121 SCALE: 1 1/2" = 1'-0"



2 ACOUSTICAL LAY-IN CEILING DETAIL
A121 SCALE: N.T.S.

1. METAL SUSPENSION SYSTEM FOR ACOUSTICAL TILE AND LAY-IN PANEL CEILINGS SHALL CONFORM TO THE REQUIREMENTS OF ASTM C635-87 FOR INTERMEDIATE DUTY SYSTEMS.
2. INSTALLATION OF METAL CEILING SUSPENSION SYSTEM FOR ACOUSTICAL TILE AND LAY-IN PANELS SHALL CONFORM TO THE REQUIREMENT OF ASTM C635-86.
3. MAIN RUNNERS @ 2'-0" O.C. CROSS RUNNERS @ 2'-0" O.C.
4. VERTICAL HANGERS TO BE MAX. 8" FROM WALLS
5. LIGHTING FIXTURES AND DIFFUSERS IN GRID CEILING MAY BE EITHER FASTENED TO CEILING GRID SYSTEM WITH CLIPS OR FIXTURES MAY BE INDEPENDENTLY SUPPORTED FROM THE BUILDING STRUCTURAL MEMBERS WITH NO. 12 WIRE AT EACH FIXTURE CORNER.



1 REFLECTED CEILING PLAN
A121 SCALE: 3/16" = 1'-0"

Order Plans

Revisions

REVISION DATE

PROJECT DATE
1/17/2019

Drawn By
MTP

Checked By
TD

Sheet No.

A121