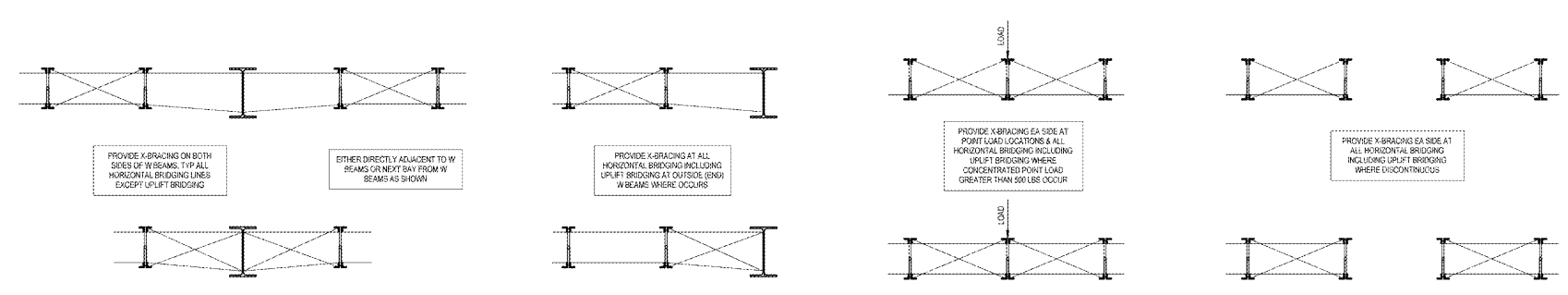
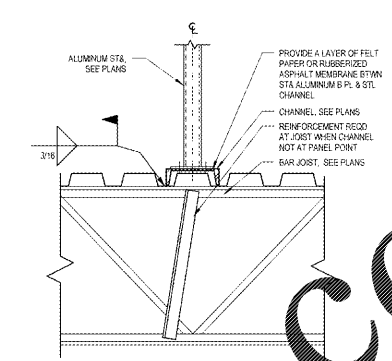


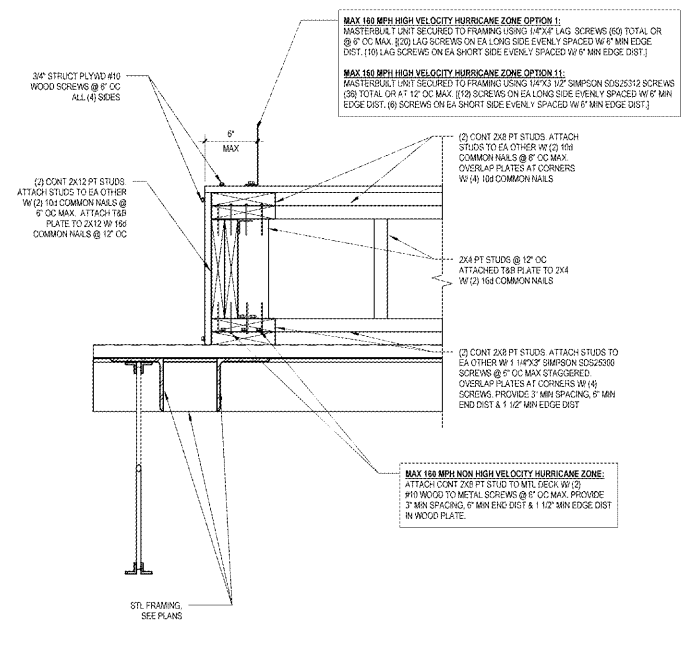
8 GENERAL BRIDGING & BRACING INFORMATION
1/8" = 1'-0"



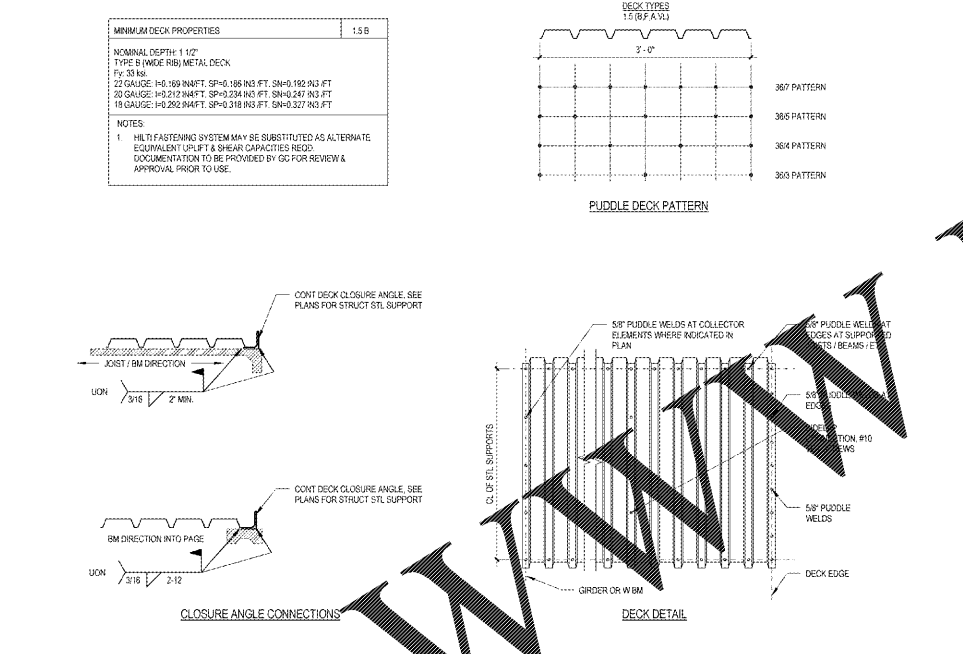
4 CHANNEL CONNECTION TO JOIST
1/8" = 1'-0"



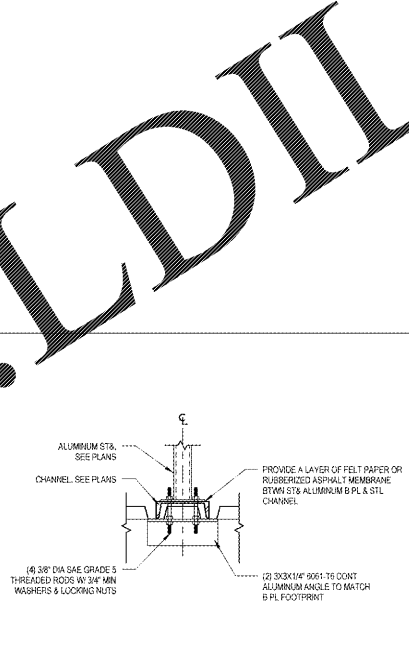
7 MASTERBUILT SUPPORT - SCREWED
1/8" = 1'-0"



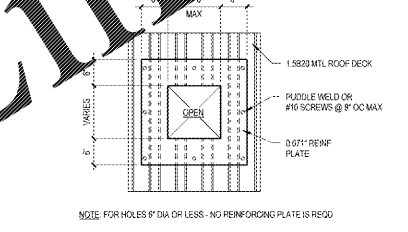
6 GENERAL MTL DECK CLOSURE ANGLE INFORMATION
1/8" = 1'-0"



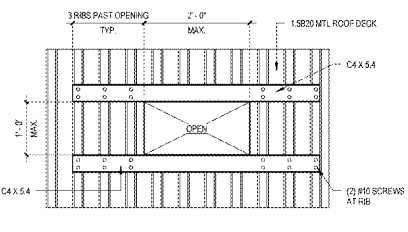
5 STAND COL CONNECTION BTWN JOIST
1/8" = 1'-0"



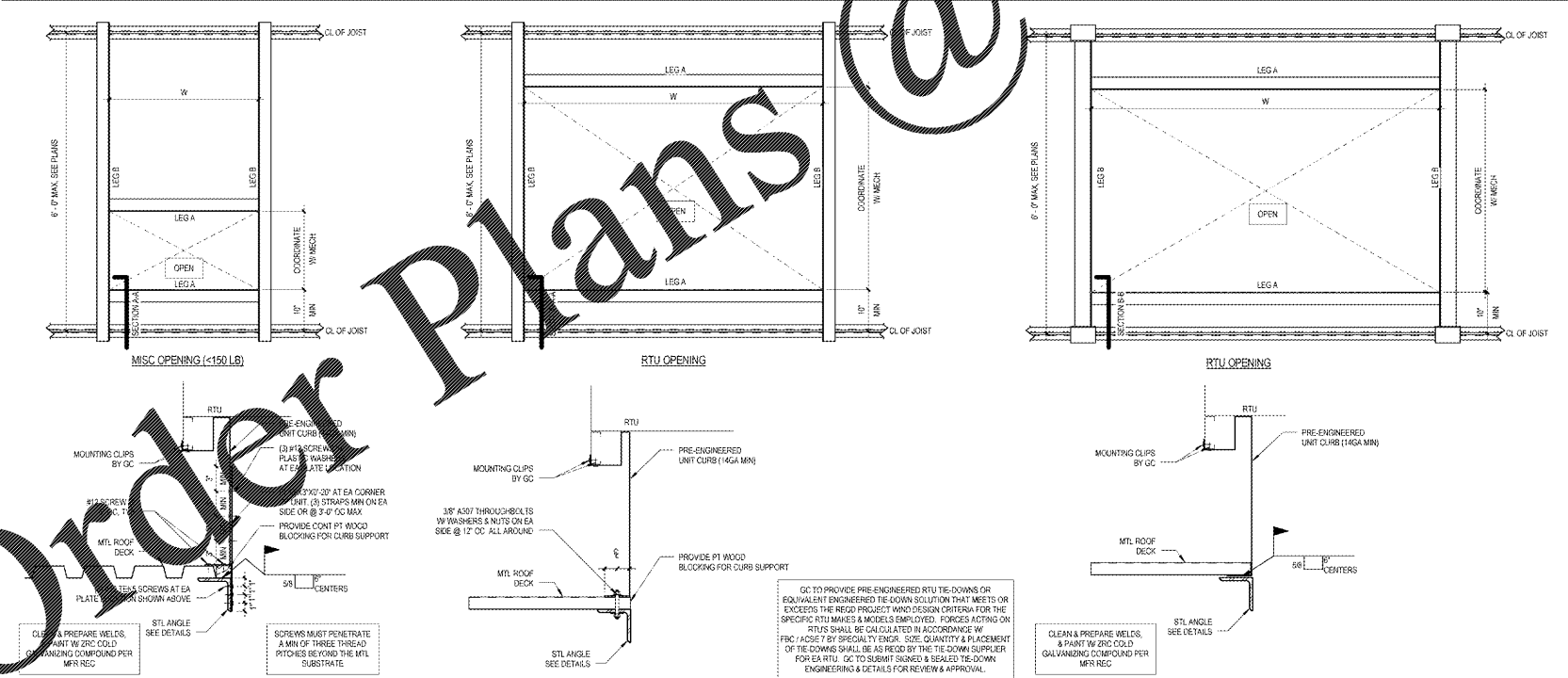
3 METAL DECK PENETRATIONS FOR OPENINGS TO 14" PERPENDICULAR TO DECK
3/4" = 1'-0"



2 METAL DECK PENETRATIONS FOR OPENINGS TO 24" PERPENDICULAR TO DECK
3/4" = 1'-0"



1 GENERAL RTU INFORMATION
3/4" = 1'-0"



Order Plans

CLIP & PREPARE WELDS, & PAINT W ZRC COLD GALVANIZING COMPOUND PER MFR REC

STL ANGLE SEE DETAILS

SCREWS MUST PENETRATE A MIN OF THREE THREAD PITCHES BEYOND THE MTL SUBSTRATE

OPTION 1 - HOLD-DOWN STRAP TO STL ANGLE

OPTION 2 - BOLT TO STL ANGLE

OPTION 3 - WELD TO STL ANGLE

WAWA F85FB 2018.02 STORE #5292-TLR
U.S. 17-92 & TAYLOR RD.
DELAND, FLORIDA

RTU FRAMING AND DETAILS

CLIENT NAME: WAWA
280 WEST BALTIMORE PIKE
WAWA, PENNSYLVANIA 19083

PROJECT NUMBER: WAWA F85FB 2018.02 STORE #5292-TLR

DATE: 06-26-2018

REVISED BY: [Name]

REVISED DATE: [Date]

BY: [Name]

DATE: [Date]

SCALE: AS SHOWN

CHECKED: [Name]

DATE: [Date]

PROJECT NO: 217019

DATE: 06-26-2018

REVISED BY: [Name]

REVISED DATE: [Date]

BY: [Name]

DATE: [Date]

SCALE: AS SHOWN

CHECKED: [Name]

DATE: [Date]