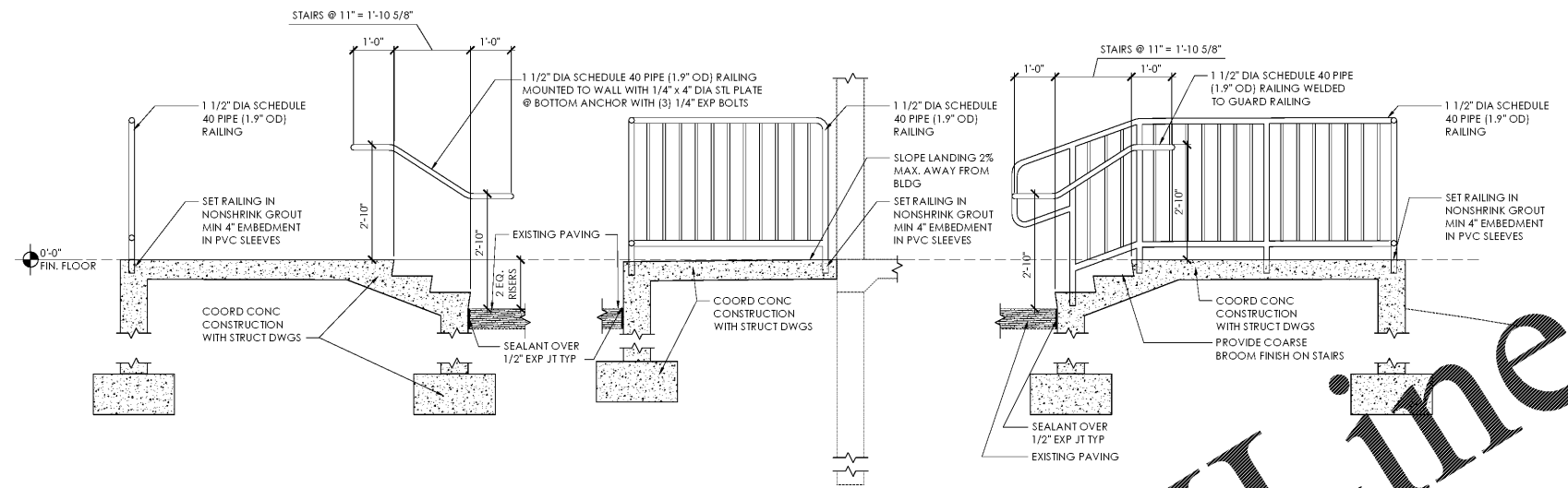
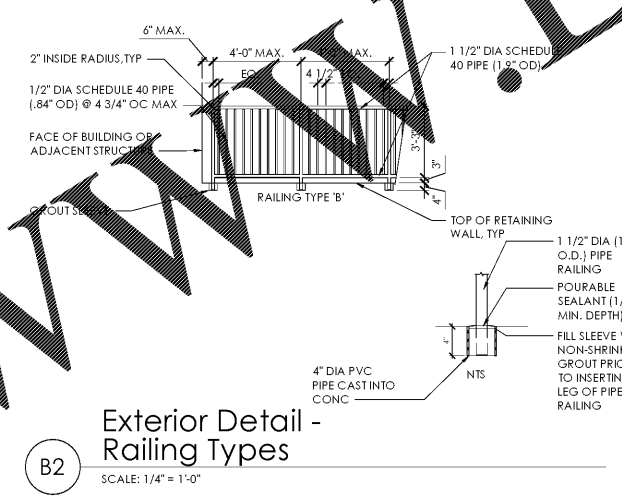


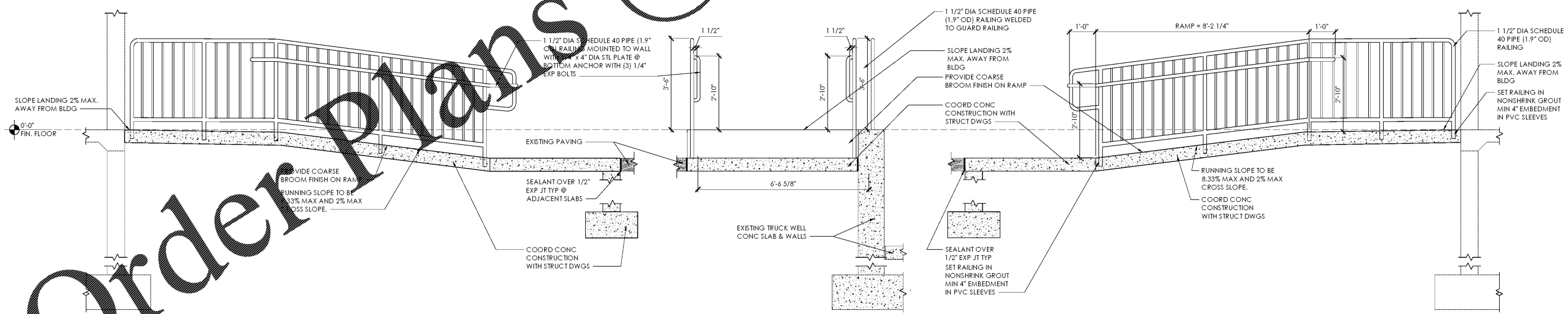
**D2**  
Exterior Detail -  
Curb Ramp at Entry  
SCALE: 1/2" = 1'-0"



**C3**  
Exterior Section Detail -  
Stairs  
SCALE: 1/2" = 1'-0"



**B2**  
Exterior Detail -  
Railing Types  
SCALE: 1/4" = 1'-0"



**D1**  
Exterior Section Detail -  
Ramp  
SCALE: 1/2" = 1'-0"

Issued:	Date:
A Client Review	02/12/19
B Permit Set	02/25/19
C Bid Set	02/25/19
D	
E	

Revisions:	Date:
1	
2	
3	
4	
5	
6	
7	
8	
9	

**DO NOT SCALE PLANS**

Copying, Printing, Software and other processes required to produce these prints can stretch or shrink the actual paper or layout. Therefore, scaling of this drawing may be inaccurate. Contact SGA Design Group, P.C. with any need for additional dimensions or clarifications.

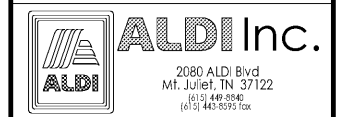
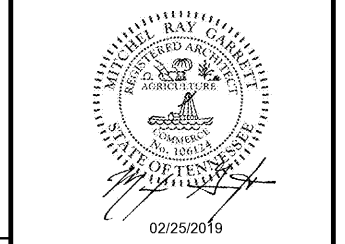
STIPULATION FOR REUSE  
THIS DRAWING WAS PREPARED FOR USE ON A SPECIFIC SITE AT CHATTANOOGA, TN. IT IS NOT SUITABLE FOR USE ON A DIFFERENT PROJECT SITE OR AT A LATER TIME. USE OF THIS DRAWING FOR REFERENCE OR EXAMPLE ON ANOTHER PROJECT REQUIRES THE SERVICES OF PROPERLY LICENSED ARCHITECTS AND ENGINEERS. REPRODUCTION OF THIS DRAWING FOR REUSE ON ANOTHER PROJECT IS NOT AUTHORIZED AND IS CONTRARY TO THE LAW.

© SGA DESIGN GROUP, P.C.

**SGA Design Group, p.c.**

1437 South Boulder, Suite 550  
Tulsa, Oklahoma 74119.3609  
p: 918.587.8600  
f: 918.587.8601  
www.sgadesigngroup.com

DRAWN BY:  
BH  
REVIEWED BY:  
GT



**ALDI Inc.** Store #: 90  
Chattanooga (Hamilton Village)  
2020 Gunbarrel Rd., Suite 400  
Chattanooga, TN 37421  
Hamilton County  
Project Name & Location:

Exterior Details	
Drawing Name:	Project No.
Date: 02/25/19	1813379
Type: VX.1W6 126X170	A-506
Scale: As Noted	Drawing No.

PLOTTED: 2/25/2019 2:46 PM