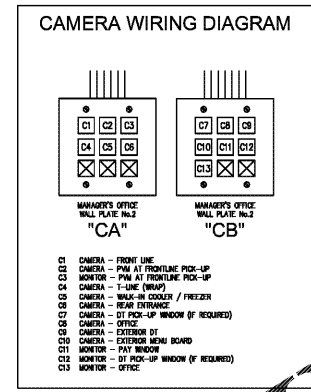
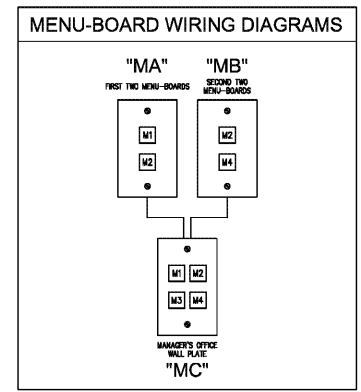
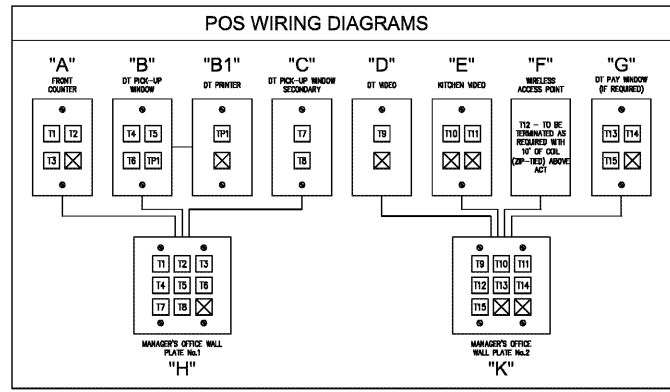


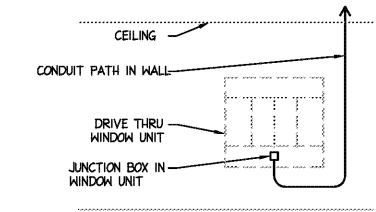
**LOW VOLTAGE LEGEND**

- LV 9-TERMINAL WALL MTD. POS (WIRING BY GC / WIFI-ROUTER EQUIPMENT AND FINAL CONNECTIONS BY OTHERS). REFER TO NOTES FOR ADDITIONAL INFORMATION. REFER TO NOTES AND DIAGRAMS FOR WIRING INSTRUCTIONS / SPECIFICATIONS.
- LV 4-TERMINAL CEILING MTD. POS - SINGLE GANG BOX WITH "HUBBELL - SSF14" (4 PORT) FACEPLATE AND "HUBBELL - SFCSEW" CATSE SNAP-FIT, INLINE COUPLER. REFER TO NOTES AND DIAGRAMS FOR WIRING INSTRUCTIONS / SPECIFICATIONS. PROVIDE RECESSED J-BOX IN CEILING WITH 3/4" CONDUIT TO ABOVE ACCESSIBLE CEILING FOR LOW VOLTAGE WIRING.
- LV 4-TERMINAL FIXTURE MTD. POS - SINGLE GANG BOX WITH "HUBBELL - SSF14" (4 PORT) FACEPLATE AND "HUBBELL - SFCSEW" CATSE SNAP-FIT, INLINE COUPLER. REFER TO NOTES AND DIAGRAMS FOR WIRING INSTRUCTIONS / SPECIFICATIONS. PROVIDE SURFACE MOUNTED J-BOX UNDER COUNTER WITH 3/4" CONDUIT ROUTED UNDERSLAB TO ABOVE ACCESSIBLE CEILING FOR LOW VOLTAGE WIRING.
- LV 2-TERMINAL WALL MTD. POS - SINGLE GANG BOX WITH "HUBBELL - SSF12" (2 PORT) FACEPLATE AND "HUBBELL - SFCSEW" CATSE SNAP-FIT, INLINE COUPLER. REFER TO NOTES AND DIAGRAMS FOR WIRING INSTRUCTIONS / SPECIFICATIONS. PROVIDE RECESSED J-BOX IN WALL WITH 3/4" CONDUIT TO ABOVE ACCESSIBLE CEILING FOR LOW VOLTAGE WIRING.
- LV 4-TERMINAL WALL MTD. POS - SINGLE GANG BOX WITH "HUBBELL - SSF14" (4 PORT) FACEPLATE AND "HUBBELL - SFCSEW" CATSE SNAP-FIT, INLINE COUPLER. REFER TO NOTES AND DIAGRAMS FOR WIRING INSTRUCTIONS / SPECIFICATIONS. PROVIDE RECESSED J-BOX IN WALL WITH 3/4" CONDUIT TO ABOVE ACCESSIBLE CEILING FOR LOW VOLTAGE WIRING.

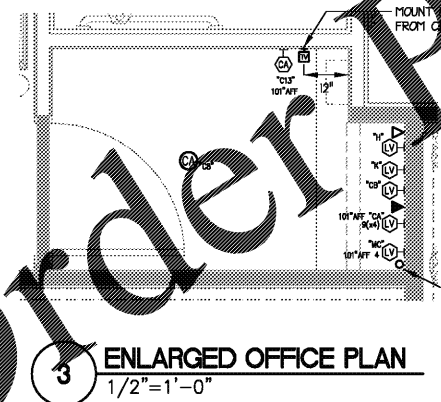
- SP 9-TERMINAL WALL MTD. POS - DOUBLE GANG BOX WITH "HUBBELL - SSF209" FACEPLATE (9 PORT) AND "HUBBELL - SFCSEW" CATSE SNAP-FIT, INLINE COUPLER. REFER TO NOTES AND DIAGRAMS FOR WIRING INSTRUCTIONS / SPECIFICATIONS. PROVIDE RECESSED J-BOX IN WALL WITH 3/4" CONDUIT TO ABOVE ACCESSIBLE CEILING FOR LOW VOLTAGE WIRING.
- SP CEILING MTD. SPEAKER (WIRING BY GC / SPEAKERS, AMPLIFIERS EQUIPMENT AND FINAL CONNECTIONS BY OTHERS). REFER TO NOTES FOR ADDITIONAL INFORMATION.
- CA CEILING MTD. CAMERA (WIRING BY GC / CAMERAS, DVR EQUIPMENT AND FINAL CONNECTIONS BY OTHERS). REFER TO NOTES FOR ADDITIONAL INFORMATION.
- CA WALL MTD. CAMERA (WIRING BY GC / CAMERAS, DVR EQUIPMENT AND FINAL CONNECTIONS BY OTHERS). REFER TO NOTES FOR ADDITIONAL INFORMATION. PROVIDE RECESSED J-BOX IN WALL WITH 3/4" CONDUIT TO ABOVE ACCESSIBLE CEILING FOR LOW VOLTAGE WIRING.
- SP 4-TERMINAL WALL MTD. SPEAKER - SINGLE GANG BOX WITH "HUBBELL - SSF14" (4 PORT) FACEPLATE AND "HUBBELL - SFCSEW" CATSE SNAP-FIT, INLINE COUPLER. REFER TO NOTES AND DIAGRAMS FOR WIRING INSTRUCTIONS / SPECIFICATIONS. PROVIDE RECESSED J-BOX IN WALL WITH 3/4" CONDUIT TO ABOVE ACCESSIBLE CEILING FOR LOW VOLTAGE WIRING.
- SP 4-TERMINAL FIXTURE MTD. MICROPHONE - SINGLE GANG BOX WITH "HUBBELL - SSF14" (4 PORT) FACEPLATE AND "HUBBELL - SFCSEW" CATSE SNAP-FIT, INLINE COUPLER. REFER TO NOTES AND DIAGRAMS FOR WIRING INSTRUCTIONS / SPECIFICATIONS. PROVIDE SURFACE MOUNTED J-BOX UNDER COUNTER WITH 3/4" CONDUIT ROUTED UNDERSLAB TO ABOVE ACCESSIBLE CEILING FOR LOW VOLTAGE WIRING.



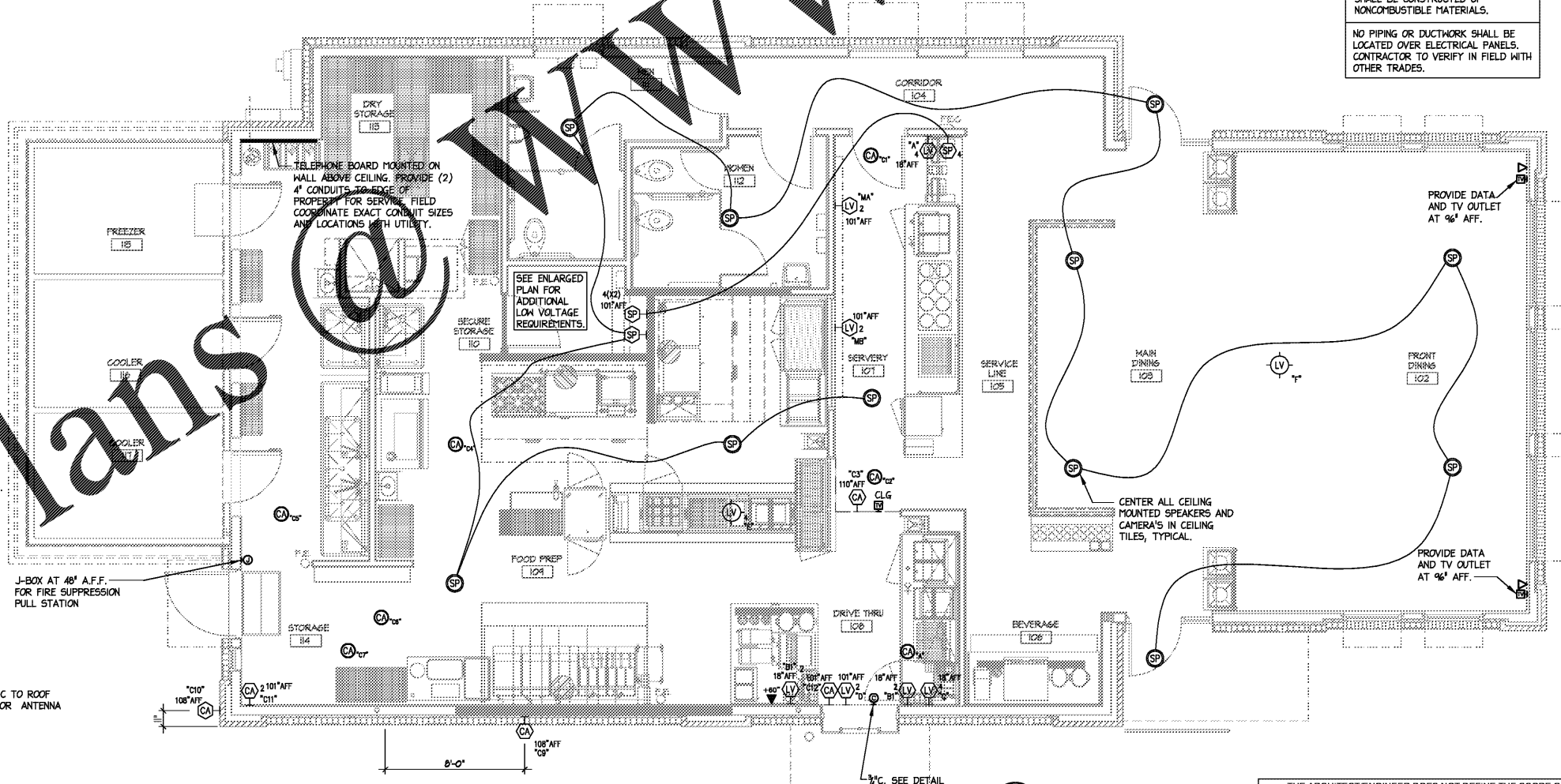
- LOW VOLTAGE NOTES**
- POS:**
- GENERAL CONTRACTOR TO RUN ALL ABOVE CEILING, THROUGH WALL AND CONDUIT WIRING AS SHOWN ON PLAN AND LABELED AS SHOWN IN WIRING DIAGRAMS.
  - ALL WIRES, CONNECTIONS AND TERMINATIONS ARE TO BE TESTED AND CERTIFIED PRIOR TO ARRIVAL OF POS EQUIPMENT.
  - ALL POS COMPONENTS / EQUIPMENT AND FINAL CONNECTIONS TO BE PROVIDED BY OTHERS.
  - POS SYSTEM WIRING TO BE "CATSE CMP PLENUM UTP 4-PAIR 23AWG".
  - ALL CONNECTIONS ARE TO BE HOME RUNS FROM TERMINAL TO TERMINAL. WIRE SPLICING WILL NOT BE ACCEPTABLE.
- SPEAKERS:**
- GENERAL CONTRACTOR TO RUN ALL ABOVE CEILING, THROUGH WALL AND CONDUIT WIRING AS SHOWN ON PLAN (LEAVING 10' OF COILED / ZIP-TIED CABLE AT EACH POINT, CLEARLY LABELED "SPEAKER").
  - ALL SPEAKER COMPONENTS AND FINAL CONNECTIONS TO BE PROVIDED BY OTHERS.
  - MICROPHONE WIRE TO BE "18 GAUGE 4 CONDUCTOR SHIELDED STRANDED COPPER CABLE" (MULTI-COLOR, WALL AND PLENUM RATED).
  - ALL CONNECTIONS TO BE MADE WITH "CRIMP B WIRE GEL FILLED DEAN TYPE CONNECTORS".
- HEADSET SYSTEM:**
- GENERAL CONTRACTOR TO RUN ALL ABOVE CEILING, THROUGH WALL AND CONDUIT WIRING AS SHOWN ON PLAN (LEAVING 10' OF COILED / ZIP-TIED CABLE AT EACH POINT, CLEARLY LABELED "HEADSET").
  - ALL DRIVE-THRU COMPONENTS AND FINAL CONNECTIONS TO BE PROVIDED BY OTHERS.
  - HEADSET SYSTEM WIRE TO BE "18 GAUGE 4 CONDUCTOR SHIELDED STRANDED COPPER CABLE" (MULTI-COLOR, WALL AND PLENUM RATED).
  - ALL CONNECTIONS TO BE MADE WITH "CRIMP B WIRE GEL FILLED DEAN TYPE CONNECTORS".
- CAMERA SYSTEM:**
- GENERAL CONTRACTOR TO RUN ALL ABOVE CEILING, THROUGH WALL AND CONDUIT WIRING AS SHOWN ON PLAN (LEAVING 10' OF COILED / ZIP-TIED CABLE AT EACH POINT, CLEARLY LABELED "CAMERA").
  - ALL CAMERA WIRE RUNS ARE TO BE HOME RUNS TO OFFICE AS IDENTIFIED IN WIRING DIAGRAMS.
  - ALL CAMERA SYSTEM COMPONENTS AND FINAL CONNECTIONS TO BE PROVIDED BY OTHERS.
  - CAMERA SYSTEM WIRING TO BE "CATSE CMP PLENUM UTP 4-PAIR 23AWG".



**2 DRIVE THRU CONDUIT DETAIL**  
NO SCALE



**3 ENLARGED OFFICE PLAN**  
1/2"=1'-0"



**1 LOW VOLTAGE PLAN**  
1/4"=1'-0"

NO COMBUSTIBLE MATERIALS ALLOWED WITH 18" OF KITCHEN HOODS. ALL PIPING LOCATED IN WALLS BEHIND HOODS, AND WITHIN 18" OF HOOD, SHALL BE CONSTRUCTED OF NONCOMBUSTIBLE MATERIALS.

NO PIPING OR DUCTWORK SHALL BE LOCATED OVER ELECTRICAL PANELS. CONTRACTOR TO VERIFY IN FIELD WITH OTHER TRADES.

THE ARCHITECT/ENGINEER DOES NOT DEFINE THE SCOPE OF INDIVIDUAL TRADES, SUBCONTRACTORS, MATERIAL SUPPLIERS, OR VENDORS. ANY SHEET NUMBERING SYSTEM USED WHICH IDENTIFIES DISCIPLINES IS SOLELY TO SEPARATE ARCHITECTS AND ENGINEERS SCOPE. IT DOES NOT DEFINE A SUBCONTRACTOR'S SCOPE OF WORK. ANY DISCREPANCIES BETWEEN DRAWINGS, SPECIFICATIONS, CODES OR CONSTRUCTION SEQUENCING SHALL BE BROUGHT TO THE ATTENTION OF THE ARCHITECT PRIOR TO PROCEEDING. NO CONSIDERATION WILL BE GIVEN TO REQUESTS FOR CHANGE ORDERS FOR FAILURE TO OBTAIN AND REVIEW THE COMPLETE SET OF CONSTRUCTION DOCUMENTS, OR FOR FAILURE TO SEEK INTERPRETATION FROM ARCHITECT FOR DISCREPANCIES.

**SABER ENGINEERING**  
2823 South Tryon Street, Suite 280  
Charlotte, North Carolina 28203  
Tel: 704.373.0068 Fax: 704.373.0260  
MECHANICAL ELECTRICAL PLUMBING

**GEORGIA REGISTERED PROFESSIONAL ENGINEER**  
No. 10000  
Richard M. Morrison, P.E.  
Feb 01, 2019

**BOJANGLES' 14 RESTAURANT**  
HUDSON BRIDGE ROAD  
AT WILLIS DRIVE  
STOCKBRIDGE, GEORGIA

architecture + interior design  
421 Penman Street, Suite 200, Charlotte, NC 28203  
Email: esd@esdarch.com • Phone: 704-373-1900

NOT FOR CONSTRUCTION PRELIM-BUDGET

NOT FOR CONSTRUCTION PRELIM-BUDGET

ISSUE DATE: 02-08-2019  
REVISION 1: \_\_\_\_\_  
REVISION 2: \_\_\_\_\_  
REVISION 3: \_\_\_\_\_  
REVISION 4: \_\_\_\_\_

PROJECT #: 18-164-000  
CONTENT: ELECTRICAL EMPTY CONDUIT PLAN

PROJECT ENGINEER SABER

DRAWN BY: RPL  
CADD FILE NAME: ESD-1901-14-E04.dwg

THIS DRAWING AND THE DESIGN SHOWN ARE THE PROPERTY OF BOJANGLES' RESTAURANTS, INC. THE REPRODUCTION OR USE OF THIS DRAWING WITHOUT THEIR WRITTEN CONSENT IS PROHIBITED. ANY INFRINGEMENT IS SUBJECT TO LEGAL ACTION.

Sheet  
**E-4**