



**SABER ENGINEERING**  
 2923 South Tryon Street Suite 280  
 Charlotte, North Carolina 28203  
 Tel: 704.374.0068 Fax: 704.374.0260  
 MECHANICAL ELECTRICAL PLUMBING



Feb 01, 2019

architecture - interior design  
 421 Penman Street, Suite 200, Charlotte, NC 28203  
 Email: esd@esdarch.com • Phone: 704-373-1900

NOT FOR CONSTRUCTION  
 PRELIM-BUDGET

**BOJANGLES' 14 RESTAURANT**  
 HUDSON BRIDGE ROAD  
 AT WILLIS DRIVE  
 STOCKBRIDGE, GEORGIA

NOT FOR CONSTRUCTION  
 PRELIM-BUDGET

ISSUE DATE: 02-08-2019

REVISION 1: ---  
 REVISION 2: ---  
 REVISION 3: ---  
 REVISION 4: ---

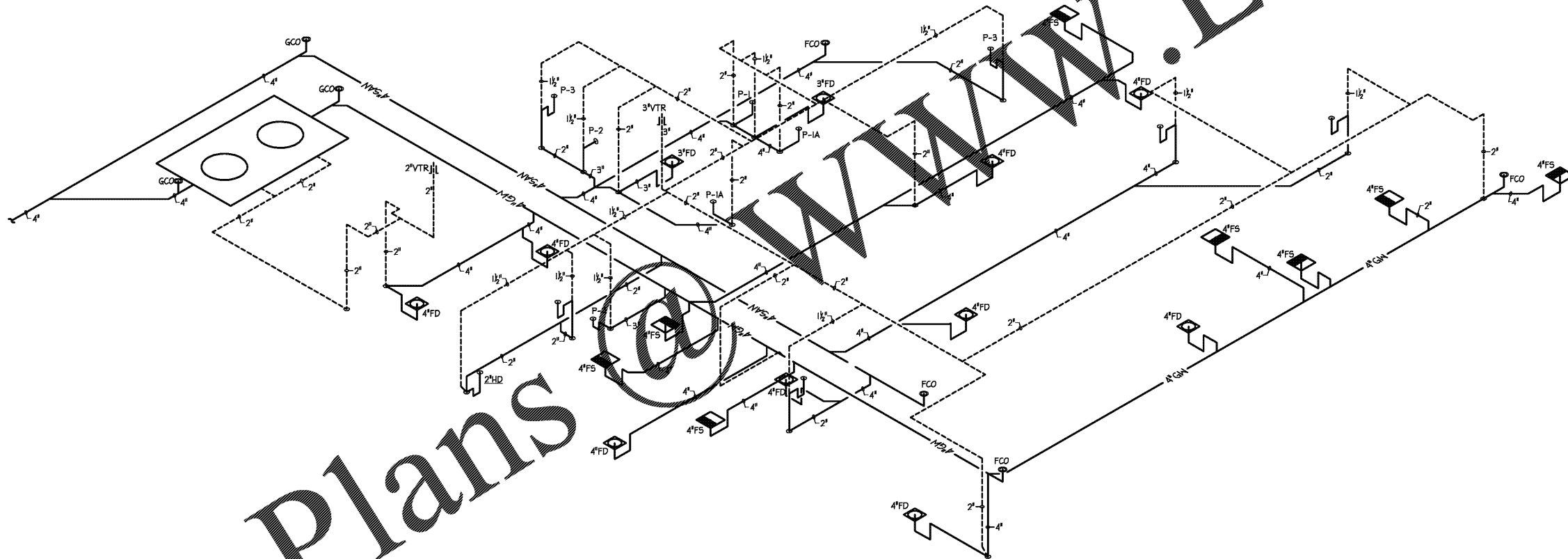
PROJECT #: 18-164-000  
 CONTENT: PLUMBING  
 RISER DIAGRAM  
 WASTE/VENT PIPING

PROJECT ENGINEER: SABER  
 DRAWN BY: SABER

CADD FILE NAME:  
 ESD-1901-14-POB.dwg

THIS DRAWING AND THE DESIGN SHOWN ARE THE PROPERTY OF BOJANGLES RESTAURANTS, INC. THE REPRODUCTION OR USE OF THIS DRAWING WITHOUT THEIR WRITTEN CONSENT IS PROHIBITED. ANY INFRINGEMENT IS SUBJECT TO LEGAL ACTION.

Sheet  
**P-6**



**1 RISER DIAGRAM - WASTE/VENT PIPING**  
 NOT TO SCALE

THE ARCHITECT/ENGINEER DOES NOT DEFINE THE SCOPE OF INDIVIDUAL TRADES, SUBCONTRACTORS, MATERIAL SUPPLIERS, OR VENDORS. ANY SHEET NUMBERING SYSTEM USED WHICH IDENTIFIES DISCIPLINES IS SOLELY TO SEPARATE ARCHITECT'S AND ENGINEER'S SCOPE; IT DOES NOT DEFINE A SUBCONTRACTOR'S SCOPE OF WORK. ANY DISCREPANCIES BETWEEN DRAWINGS, SPECIFICATIONS, CODES OR CONSTRUCTION SEQUENCING SHALL BE BROUGHT TO THE ATTENTION OF THE ARCHITECT PRIOR TO PROCEEDING. NO CONSIDERATION WILL BE GIVEN TO REQUESTS FOR CHANGE ORDERS FOR FAILURE TO OBTAIN AND REVIEW THE COMPLETE SET OF CONSTRUCTION DOCUMENTS, OR FOR FAILURE TO SEEK INTERPRETATION FROM ARCHITECT FOR DISCREPANCIES.

Order Plans @ WWW.LDILine.com