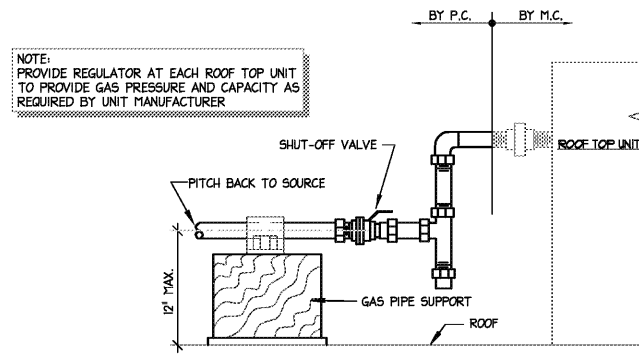
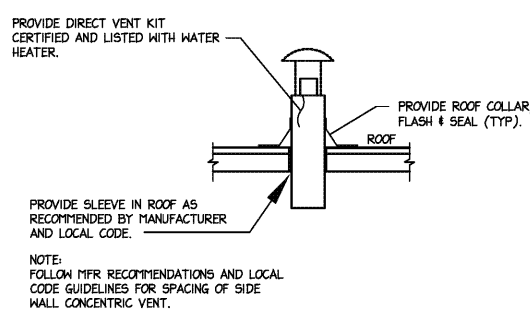


NOTE:
SUPPORT PIPE AT MAXIMUM OF 6'-0" O.C.
SEE ARCH. DWGS. FOR ROOF PENETRATION DETAILS.



2 GAS PIPING DETAIL
NO SCALE

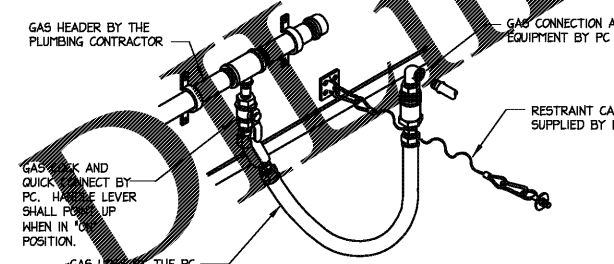


3 INSTANTANEOUS WATER HEATER VENT DETAIL
NO SCALE

PLUMBING SCHEDULE							
MARK	RL HT	QTY	GAS SIZE	GAS BTU/H	ITEM	DESCRIPTION	REMARKS
P-50F-G	ON ROOF	1	1"	236,145	50F	SUPPLY FAN	SEE KH2 DRAWING
P-53-G	18"	4	3/4"	27,500	53	DOUBLE CONVECTION OVEN	***SEE NOTE BELOW***
P-76-G	18"	3	3/4"	105,000	76	FRYER	***SEE NOTE BELOW***
P-77-G	18"	2	3/4"	100,000	77	FRYER	***SEE NOTE BELOW***
P-82-G	18"	1	3/4"	75,000	82	MEAT GRIDDLE	***SEE NOTE BELOW***
P-83-G	18"	1	3/4"	159,000	83	SIX BURNER RANGE TOP	***SEE NOTE BELOW***

TYPICAL KITCHEN GAS APPLIANCES OPERATE ON PRESSURES BETWEEN 5" AND 14" ON THE WATER COLUMN. VERIFY WITH MANUFACTURER SPECIFICATION SHEETS.

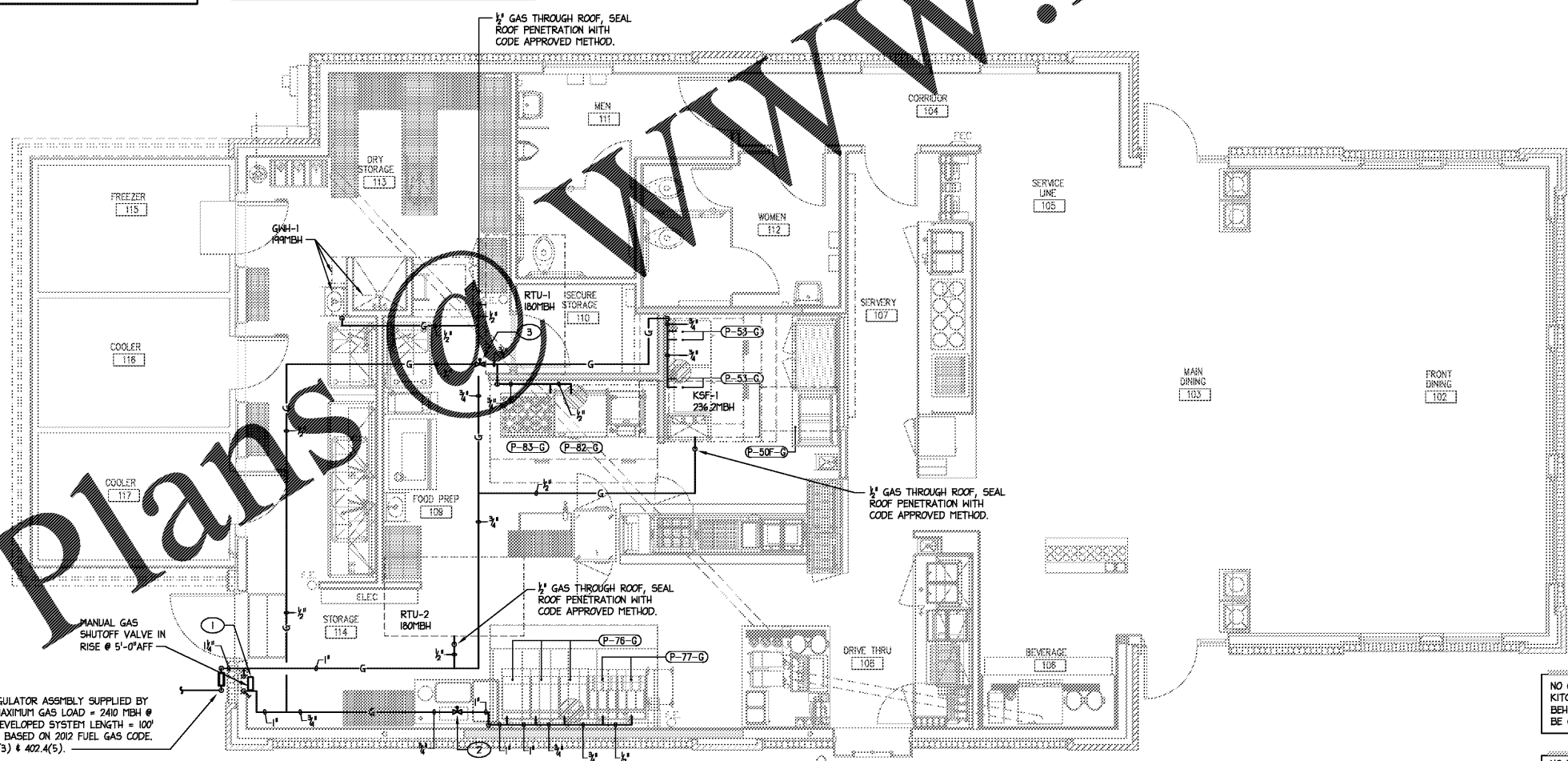
PLEASE NOTE! HIGH PRESSURE GAS SYSTEMS MUST BE REDUCED TO BELOW 14" ON THE WATER COLUMN.



4 GAS SERVICE CONNECTION DETAIL
NO SCALE

- GAS PIPING NOTES**
- WORK TO INCLUDE PIPING FROM GAS METER TO ALL GAS FIRED EQUIPMENT. FINAL CONNECTION TO ROOFTOP UNITS BY MECHANICAL CONTRACTOR. PLUMBING CONTRACTOR TO PROVIDE SHUT-OFF VALVE, DIRT TRAP, AND PRESSURE REGULATOR AT EACH PIECE OF EQUIPMENT. PROVIDE GAS PRESSURE AS REQUIRED BY MANUFACTURER.
 - ALL WORK SHALL BE IN ACCORDANCE WITH ALL APPLICABLE LOCAL CODE REQUIREMENTS, AND THE PROVISIONS OF NFPA-54 AND NFPA-58.
 - THE CONTRACTOR SHALL SUPPLY ALL PERMITS AND LICENSES REQUIRED FOR THE WORK, AND FOR ALL INSPECTIONS REQUIRED.
 - PIPE 3" AND SMALLER SHALL BE SCHEDULE 40 STEEL WITH THREADED MALLEABLE FITTINGS.
 - VALVES SHALL BE GAS COCKS MANUFACTURED BY NIBCO.
 - ALL GAS PIPING LOCATED UNDER THE FLOOR SLABS SHALL BE INSTALLED IN CONDUIT OR AS REQUIRED BY CODE.
 - ALL PIPING EXPOSED TO THE OUTDOORS OR RUN IN UNCONDITIONED SPACES SHALL BE PAINTED WITH TWO COATS OF ENAMEL.

- TAGGED NOTES - THIS SHEET**
- PROVIDE ANSUL SOLENOID VALVE AND INTERLOCK WITH HOOD FIRE SUPPRESSION SYSTEM TO SHUT-OFF GAS SUPPLY UPON ANY ALARM. PROVIDE MANUAL RESET RELAY IN ACCESSIBLE LOCATION. VERIFY LOCATIONS OF GAS STUB-OUTS WITH EQUIPMENT PRIOR TO INSTALLATION.
 - REGULATOR REDUCING PRESSURE TO 0.5PSI FROM 2PSI, DEVELOPED LENGTH OF 50' AND GAS LOAD OF 515 MBH. LOCATE ACCESSIBLE REGULATOR FOR EQUIPMENT IN CEILING. PROVIDE CODE COMPLIANT VENT ROUTED THRU THE ROOF WITH 1/2" PIPE AS REQUIRED BY MFR. GAS REGULATOR EQUAL TO MAXITROL 325-7L.
 - REGULATOR REDUCING PRESSURE TO 0.5PSI FROM 2PSI, DEVELOPED LENGTH OF 50' AND GAS LOAD OF 344 MBH. LOCATE ACCESSIBLE REGULATOR FOR EQUIPMENT IN CEILING. PROVIDE CODE COMPLIANT VENT AS REQUIRED BY MFR. GAS REGULATOR EQUAL TO MAXITROL 325-3L.



GAS METER & REGULATOR ASSEMBLY SUPPLIED BY MFR PROVIDER. MAXIMUM GAS LOAD = 2410 MBH @ 20 PSI. TOTAL DEVELOPED SYSTEM LENGTH = 100' GAS PIPING SIZES BASED ON 2012 FUEL GAS CODE. SEE TABLE 402.4(3) & 402.4(5).

1 PLUMBING FLOOR PLAN - WASTE/VENT PIPING
1/4"=1'-0"

SABER ENGINEERING
2923 South Tryon Street Suite 280
Charlotte, North Carolina 28203
Tel: 704.374.0068 Fax: 704.374.0260
MECHANICAL ELECTRICAL PLUMBING

GEORGE A. TREBBLI
REGISTERED PROFESSIONAL ENGINEER
M.A.S. A. TREBBLI
Feb 01, 2019

architecture • interior design

421 Penman Street, Suite 200, Charlotte, NC 28203
Email: esd@esdarch.com • Phone: 704-373-1900

NOT FOR CONSTRUCTION
PRELIM-BUDGET

BOJANGLES' 14 RESTAURANT
HUDSON BRIDGE ROAD
AT WILLIS DRIVE
STOCKBRIDGE, GEORGIA

NOT FOR CONSTRUCTION
PRELIM-BUDGET

ISSUE DATE: 02-08-2019
REVISION 1: ---
REVISION 2: ---
REVISION 3: ---
REVISION 4: ---

PROJECT #: 18-164-000
CONTENT: PLUMBING
GAS PIPING
FLOOR PLAN

PROJECT ENGINEER: SABER
DRAWN BY: SABER

CADD FILE NAME:
ESD-1901-14-P03.dwg

NO COMBUSTIBLE MATERIALS ALLOWED WITH 18" OF KITCHEN HOODS. ALL PIPING LOCATED IN WALLS BEHIND HOODS, AND WITHIN 18" OF HOOD, SHALL BE CONSTRUCTED OF NONCOMBUSTIBLE MATERIALS.

NO PIPING OR DUCTWORK SHALL BE LOCATED OVER ELECTRICAL PANELS. CONTRACTOR TO VERIFY IN FIELD WITH OTHER TRADES.

THE ARCHITECT/ENGINEER DOES NOT DEFINE THE SCOPE OF INDIVIDUAL TRADES, SUBCONTRACTORS, MATERIAL SUPPLIERS, OR VENDORS. ANY SHEET NUMBERING SYSTEM USED WHICH IDENTIFIES DISCIPLINES IS SOLELY TO SEPARATE ARCHITECT'S AND ENGINEER'S SCOPE; IT DOES NOT DEFINE A SUBCONTRACTOR'S SCOPE OF WORK. ANY DISCREPANCIES BETWEEN DRAWINGS, SPECIFICATIONS, CODES OR CONSTRUCTION SEQUENCING SHALL BE BROUGHT TO THE ATTENTION OF THE ARCHITECT PRIOR TO PROCEEDING. NO CONSIDERATION WILL BE GIVEN TO REQUESTS FOR CHANGE ORDERS FOR FAILURE TO OBTAIN AND REVIEW THE COMPLETE SET OF CONSTRUCTION DOCUMENTS, OR FOR FAILURE TO SEEK INTERPRETATION FROM ARCHITECT FOR DISCREPANCIES.