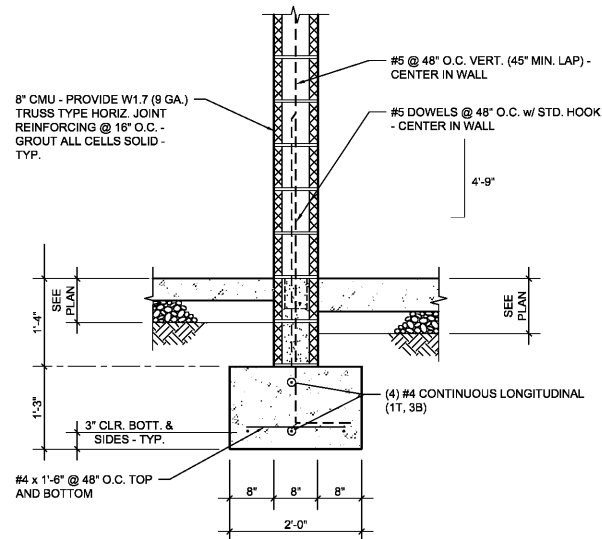
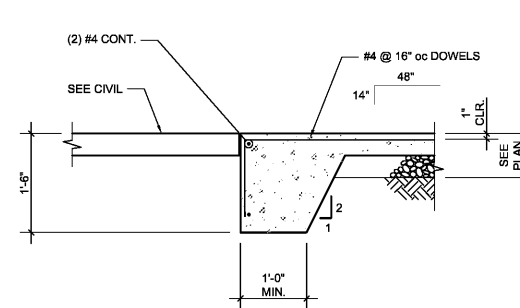


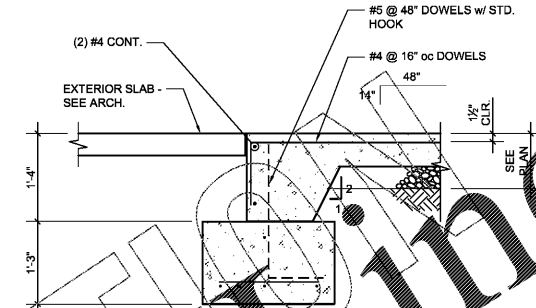
1 SECTION AT EXTERIOR WALL  
S-5.2 SCALE: 3/4"=1'-0"



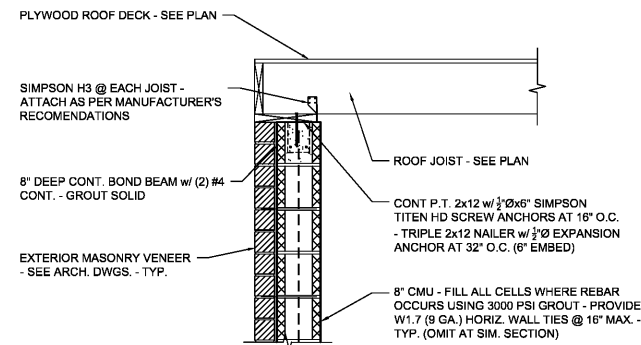
2 SECTION AT INTERIOR WALL  
S-5.2 SCALE: 3/4"=1'-0"



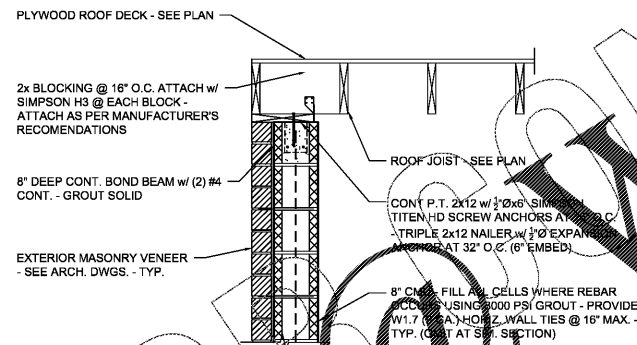
3 SECTION AT TURNED DOWN SLAB  
S-5.2 SCALE: 3/4"=1'-0"



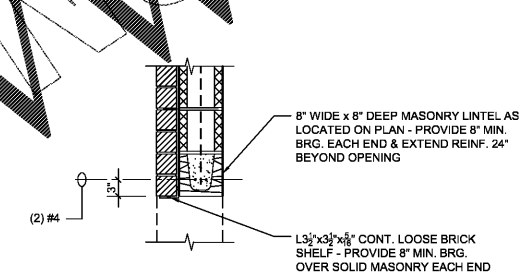
4 SECTION AT A DOOR  
S-5.2 SCALE: 3/4"=1'-0"



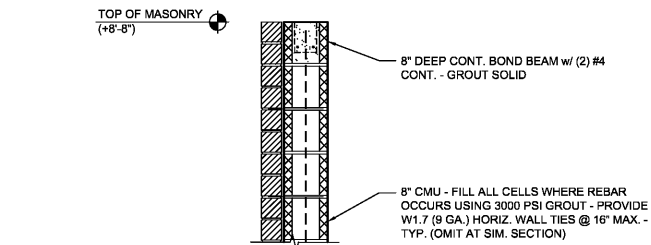
5 SECTION AT STORAGE ROOM  
S-5.2 SCALE: 3/4"=1'-0"



6 SECTION AT STORAGE ROOM  
S-5.2 SCALE: 3/4"=1'-0"



7 SECTION AT DOOR  
S-5.2 SCALE: 3/4"=1'-0"



8 SECTION AT WALL  
S-5.2 SCALE: 3/4"=1'-0"

Order Plans



PRELIMINARY  
NOT FOR CONSTRUCTION

BOJANGLES' 14 RESTAURANT  
HUDSON BRIDGE ROAD  
AT WILLIS DRIVE  
STOCKBRIDGE, GEORGIA

ISSUE DATE: 1-9-2019  
REVISION 1:  
REVISION 2:  
REVISION 3:  
REVISION 4:  
PROJECT #: 18-164-000  
CONTENT:

PROJECT ARCHITECT: ECE  
DRAWN BY: LDA/DAP

CADD FILE NAME:  
18-164-000 Bojangles

THIS DRAWING AND THE DESIGN SHOWN ARE THE PROPERTY OF BOJANGLES RESTAURANTS INC. THE REPRODUCTION OR USE OF THIS DRAWING WITHOUT THEIR WRITTEN CONSENT IS PROHIBITED. ANY INFRINGEMENT IS SUBJECT TO LEGAL ACTION.

Sheet  
S-5.2

ARP ENGINEERING  
CONSULTING ENGINEERS  
202 EAST FRANKLIN STREET, SUITE A  
PO BOX 587 - MONROE - NC 28111  
(704) 225-0079  
GA COA PEF004471

THE ARCHITECT/ENGINEER DOES NOT DEFINE THE SCOPE OF INDIVIDUAL TRADES, SUBCONTRACTORS, MATERIAL SUPPLIERS, OR VENDORS. ANY SHEET NUMBERING SYSTEM USED WHICH IDENTIFIES DISCIPLINES IS SOLELY TO SEPARATE ARCHITECT'S AND ENGINEER'S SCOPE; IT DOES NOT DEFINE A SUBCONTRACTOR'S SCOPE OF WORK. ANY DISCREPANCIES BETWEEN DRAWINGS, SPECIFICATIONS, CODES OR CONSTRUCTION SEQUENCING SHALL BE BROUGHT TO THE ATTENTION OF THE ARCHITECT PRIOR TO PROCEEDING. NO CONSIDERATION WILL BE GIVEN TO REQUESTS FOR CHANGE ORDERS FOR FAILURE TO OBTAIN AND REVIEW THE COMPLETE SET OF CONSTRUCTION DOCUMENTS, OR FOR FAILURE TO SEEK INTERPRETATION FROM ARCHITECT FOR DISCREPANCIES.