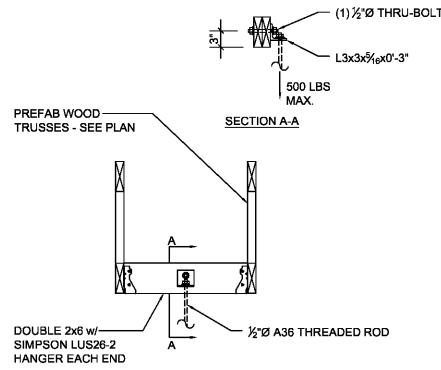
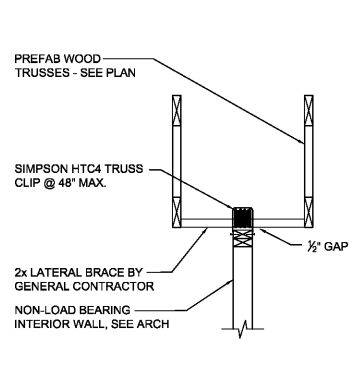


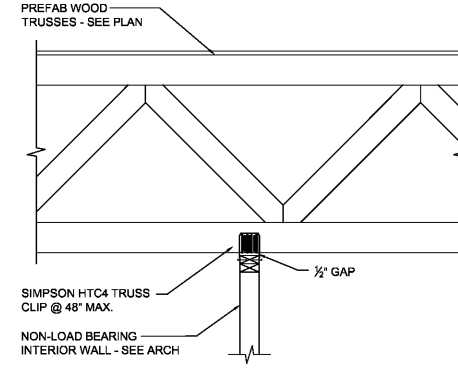
1 SECTION AT DOUBLE TRUSS w/ HEADER
S-4.1 SCALE: 3/4"=1'-0"



2 SECTION AT HANGER
S-4.1 SCALE: 3/4"=1'-0"

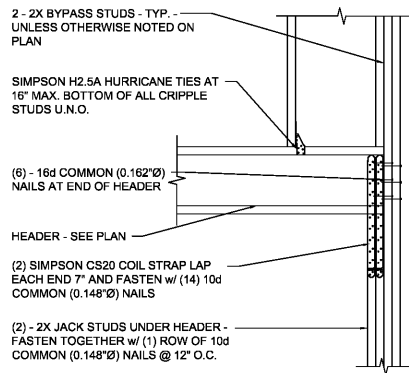


3 SECTION AT WALL BRACE
S-4.1 SCALE: 3/4"=1'-0"

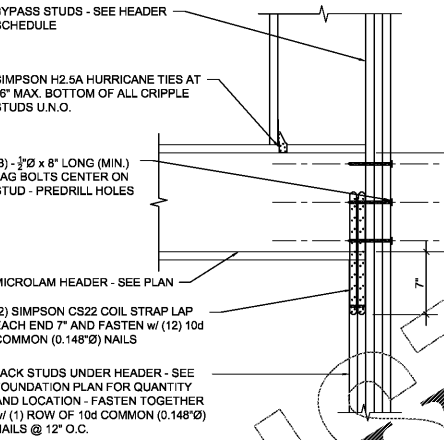


4 SECTION AT WALL BRACE
S-4.1 SCALE: 3/4"=1'-0"

SHEAR WALL AND DIAPHRAGM NOTE:
PROVIDE EDGE NAILING PATTERN TO ALL BLOCKING / DIAPHRAGM EDGES / SILL PLATES / WALL TOP PLATES. SEE ROOF SHEATHING NOTE ON SHEET S-2.1 AND WALL SHEATHING NOTE ON SHEET S-1.1 (TYP.)

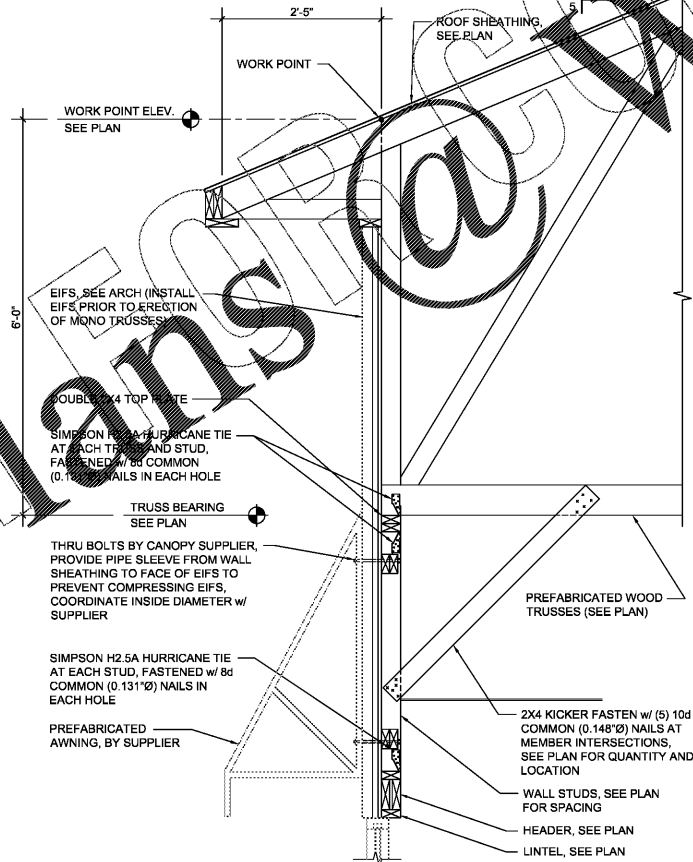


6 HEADER DETAIL
S-4.1 SCALE: 3/4"=1'-0"



7 MICROLAM HEADER BEARING
S-4.1 SCALE: 3/4"=1'-0"

5 TRUSS BEARING AT STUD WALL
S-4.1 SCALE: 3/4"=1'-0"



11 SECTION AT TRUSS BEARING
S-4.1 SCALE: 3/4"=1'-0"

9 EXTERIOR SECTION
S-4.1 SCALE: 3/4"=1'-0"

Order Plans @

PRELIMINARY
NOT FOR CONSTRUCTION

BOJANGLES' 14 RESTAURANT
HUDSON BRIDGE ROAD
AT WILLIS DRIVE
STOCKBRIDGE, GEORGIA

ISSUE DATE: 1-9-2019
REVISION 1: _____
REVISION 2: _____
REVISION 3: _____
REVISION 4: _____
PROJECT #: 18-164-000
CONTENT: _____

PROJECT ARCHITECT: ECE
DRAWN BY: LDA/DAP

CADD FILE NAME: 18-164-000 Bojangles

THIS DRAWING AND THE DESIGN SHOWN ARE THE PROPERTY OF BOJANGLES RESTAURANT'S INC. THE REPRODUCTION, OR USE OF THIS DRAWING WITHOUT THEIR WRITTEN CONSENT IS PROHIBITED. ANY INFRINGEMENT IS SUBJECT TO LEGAL ACTION.

Sheet
S-4.1

THE ARCHITECT/ENGINEER DOES NOT DEFINE THE SCOPE OF INDIVIDUAL TRADES, SUBCONTRACTORS, MATERIAL SUPPLIERS, OR VENDORS. ANY SHEET NUMBERING SYSTEM USED WHICH IDENTIFIES DISCIPLINES IS SOLELY TO SEPARATE ARCHITECT'S AND ENGINEER'S SCOPE; IT DOES NOT DEFINE A SUBCONTRACTOR'S SCOPE OF WORK. ANY DISCREPANCIES BETWEEN DRAWINGS, SPECIFICATIONS, CODES OR CONSTRUCTION SEQUENCING SHALL BE BROUGHT TO THE ATTENTION OF THE ARCHITECT PRIOR TO PROCEEDING. NO CONSIDERATION WILL BE GIVEN TO REQUESTS FOR CHANGE ORDERS FOR FAILURE TO OBTAIN AND REVIEW THE COMPLETE SET OF CONSTRUCTION DOCUMENTS, OR FOR FAILURE TO SEEK INTERPRETATION FROM ARCHITECT FOR DISCREPANCIES.

ARP ENGINEERING
CONSULTING ENGINEERS

202 EAST FRANKLIN STREET, SUITE A
PO BOX 587 - MONROE - NC 28111
(704) 225-0079
GA COA PEF004471

421 Penman Street, Suite 200, Charlotte, NC 28203
Email: esd@esdarcl.com • Phone: 704-373-1900