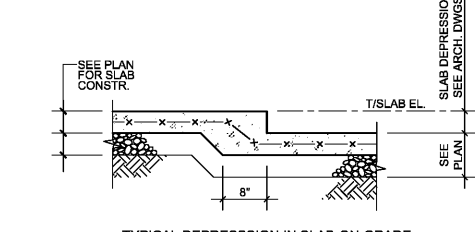
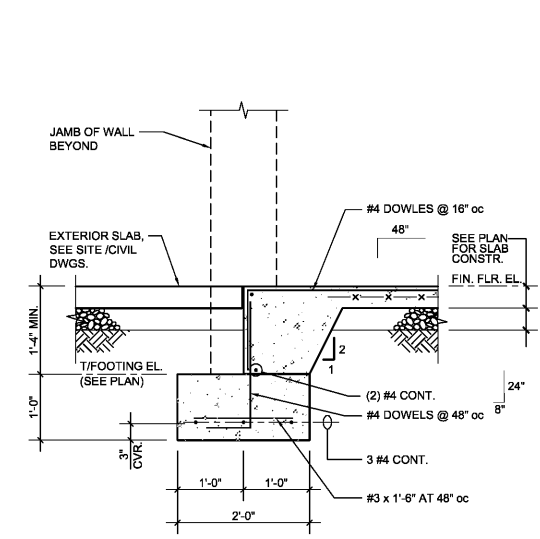


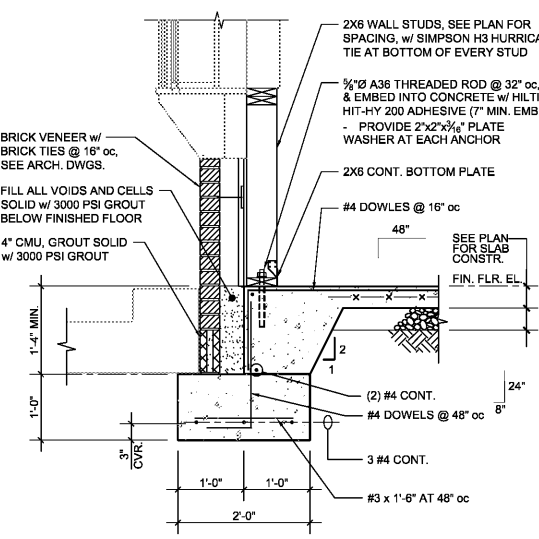
**1 CONTROL/CONSTRUCTION JOINT**  
S-3.1 SCALE: 3/4"=1'-0"



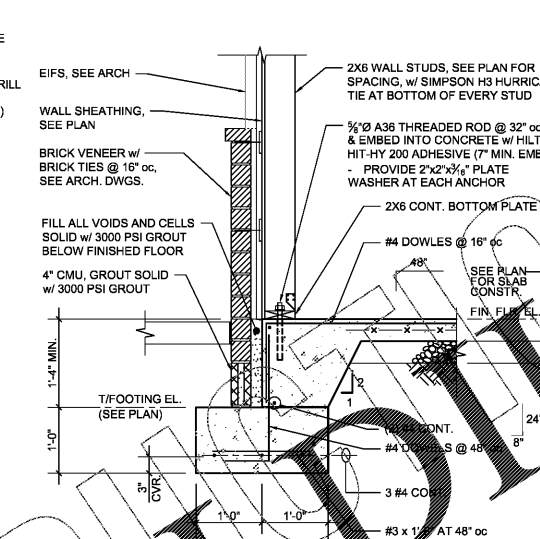
**2 SECTION AT SLAB DEPRESSION**  
S-3.1 SCALE: 3/4"=1'-0"



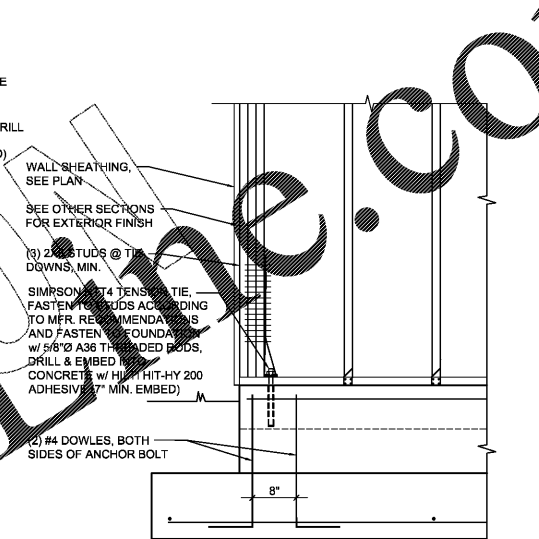
**3 SECTION AT DOOR OPENING**  
S-3.1 SCALE: 3/4"=1'-0"



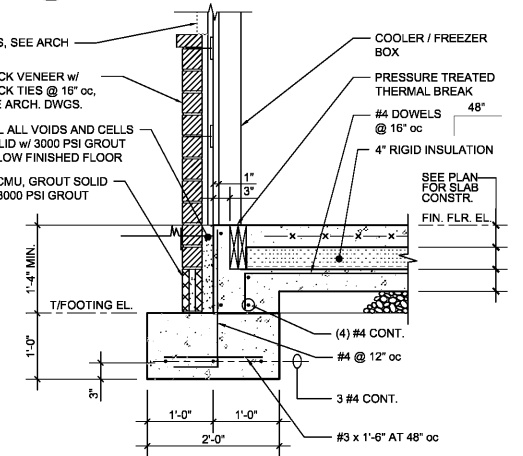
**4 SECTION AT EXTERIOR WALL**  
S-3.1 SCALE: 3/4"=1'-0"



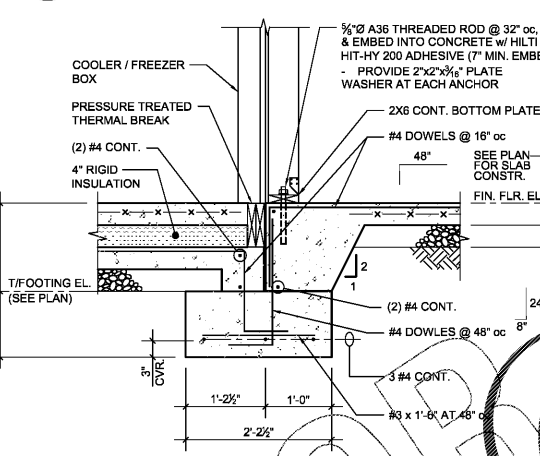
**5 SECTION AT EXTERIOR WALL**  
S-3.1 SCALE: 3/4"=1'-0"



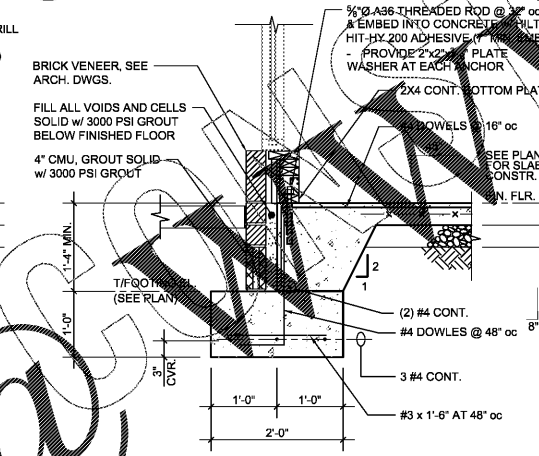
**6 SECTION AT EXTERIOR WALL**  
S-3.1 SCALE: 3/4"=1'-0"



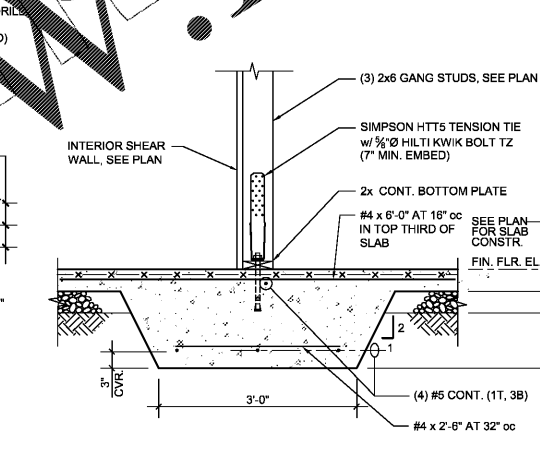
**7 SECTION AT COOLER SLAB**  
S-3.1 SCALE: 3/4"=1'-0"



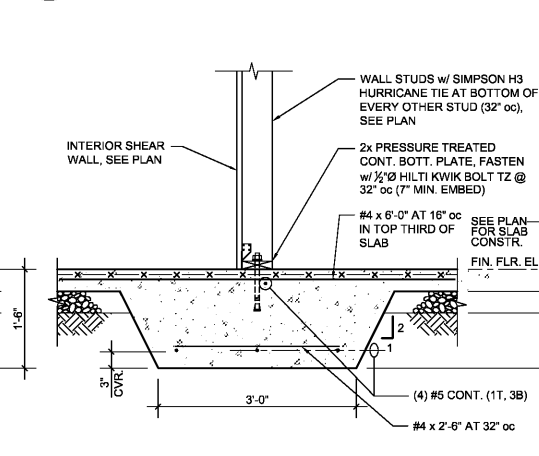
**8 SECTION AT DOOR OPENING**  
S-3.1 SCALE: 3/4"=1'-0"



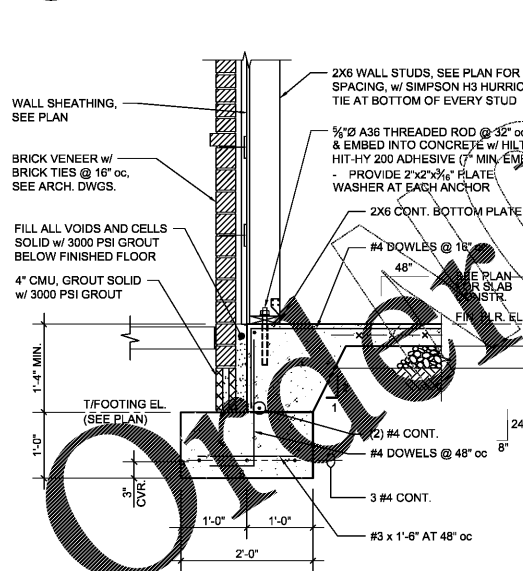
**9 SECTION AT EXTERIOR WALL**  
S-3.1 SCALE: 3/4"=1'-0"



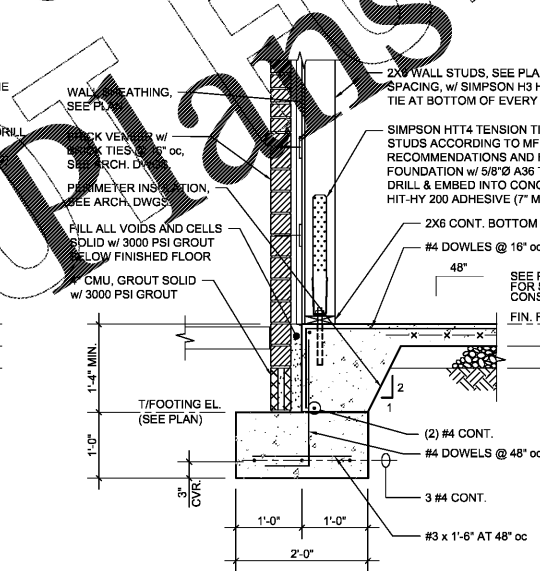
**10 SECTION AT INTERIOR SHEARWALL**  
S-3.1 SCALE: 3/4"=1'-0"



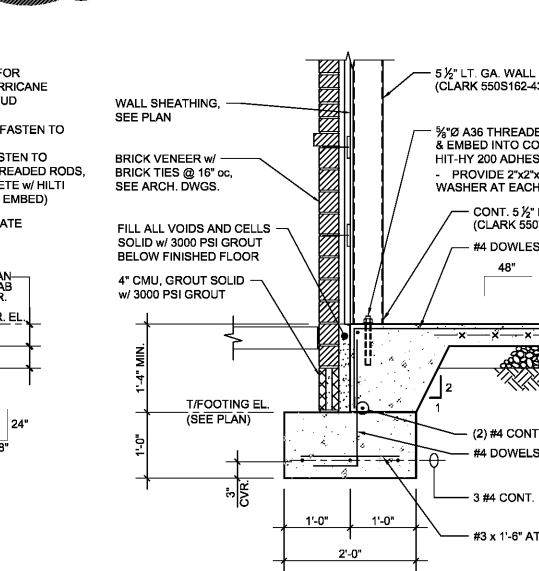
**11 SECTION AT INTERIOR SHEARWALL**  
S-3.1 SCALE: 3/4"=1'-0"



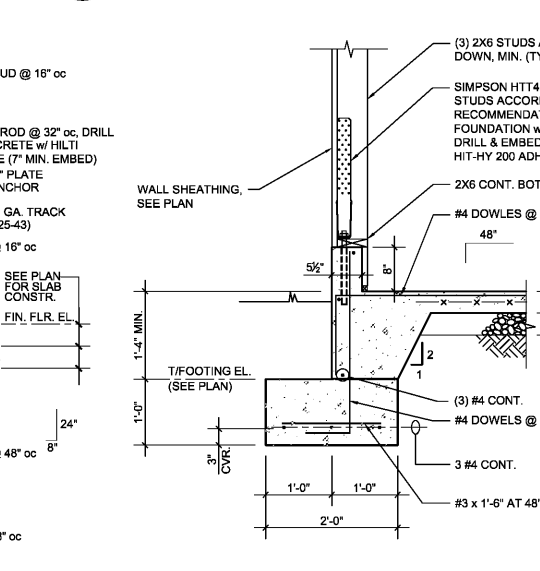
**12 SECTION AT EXTERIOR WALL**  
S-3.1 SCALE: 3/4"=1'-0"



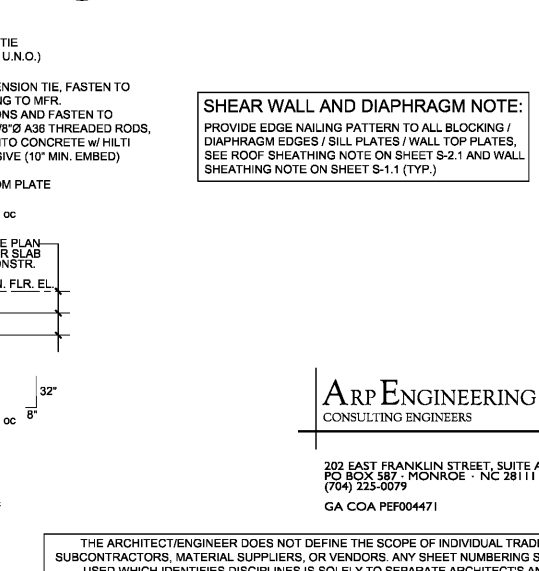
**13 SECTION AT EXTERIOR WALL**  
S-3.1 SCALE: 3/4"=1'-0"



**14 SECTION AT LT. GA. WALL**  
S-3.1 SCALE: 3/4"=1'-0"



**15 SECTION AT EXTERIOR WALL**  
S-3.1 SCALE: 3/4"=1'-0"



**16 SECTION AT EXTERIOR WALL**  
S-3.1 SCALE: 3/4"=1'-0"

**SHEAR WALL AND DIAPHRAGM NOTE:**  
PROVIDE EDGE NAILING PATTERN TO ALL BLOCKING / DIAPHRAGM EDGES / SILL PLATES / WALL TOP PLATES, SEE ROOF SHEATHING NOTE ON SHEET S-2.1 AND WALL SHEATHING NOTE ON SHEET S-1.1 (TYP.)

**ARP ENGINEERING**  
CONSULTING ENGINEERS  
202 EAST FRANKLIN STREET, SUITE A  
PO BOX 587 - MONROE - NC 28111  
(704) 225-0079  
GA COA PE004471

THE ARCHITECT/ENGINEER DOES NOT DEFINE THE SCOPE OF INDIVIDUAL TRADES, SUBCONTRACTORS, MATERIAL SUPPLIERS, OR VENDORS. ANY SHEET NUMBERING SYSTEM USED WHICH IDENTIFIES DISCIPLINES IS SOLELY TO SEPARATE ARCHITECT'S AND ENGINEER'S SCOPE; IT DOES NOT DEFINE A SUBCONTRACTOR'S SCOPE OF WORK. ANY DISCREPANCIES BETWEEN DRAWINGS, SPECIFICATIONS, CODES OR CONSTRUCTION SEQUENCING SHALL BE BROUGHT TO THE ATTENTION OF THE ARCHITECT PRIOR TO PROCEEDING. NO CONSIDERATION WILL BE GIVEN TO REQUESTS FOR CHANGE ORDERS FOR FAILURE TO OBTAIN AND REVIEW THE COMPLETE SET OF CONSTRUCTION DOCUMENTS, OR FOR FAILURE TO SEEK INTERPRETATION FROM ARCHITECT FOR DISCREPANCIES.

ISSUE DATE: 1-9-2019  
REVISION 1: \_\_\_\_\_  
REVISION 2: \_\_\_\_\_  
REVISION 3: \_\_\_\_\_  
REVISION 4: \_\_\_\_\_  
PROJECT #: 18-164-000  
CONTENT: \_\_\_\_\_

PROJECT ARCHITECT: ECE  
DRAWN BY: LDA/DAP  
CADD FILE NAME: 18-164-000 Bojangles

THIS DRAWING AND THE DESIGN SHOWN ARE THE PROPERTY OF BOJANGLES RESTAURANT'S INC. THE REPRODUCTION, OR USE OF THIS DRAWING WITHOUT THEIR WRITTEN CONSENT IS PROHIBITED. ANY INFRINGEMENT IS SUBJECT TO LEGAL ACTION.

Sheet  
**S-3.1**

PRELIMINARY  
NOT FOR CONSTRUCTION

**BOJANGLES' 14 RESTAURANT**  
HUDSON BRIDGE ROAD  
AT WILLIS DRIVE  
STOCKBRIDGE, GEORGIA

**ARP ENGINEERING**  
421 Penman Street, Suite 200, Charlotte, NC 28203  
Email: esd@ardnc.com • Phone: 704-373-1900