

HARDWARE SCHEDULE						
HWDR. CODE	QTY	ITEM	MANUFACTURER	PRODUCT/MODEL NUMBER	COLOR NAME/NUMBER	DESCRIPTION/REMARKS
HN-1 DOOR. 105 106	1	CONTINUOUS GEAR HINGE	KANNEER	--	MATCH M-11	BY STOREFRONT MANUF.
	1	PANIC SET - RIM EXIT DEVICE W/ PULL CLOSER - GRADE I	KANNEER	--	MATCH M-11	BY STOREFRONT MANUF.
	1	WEATHER-STRIPPING	KANNEER	--	MANUF. STANDARD	BY STOREFRONT MANUF.
	1	HALF-THRESHOLD FOR TILE FLOORS	KANNEER	--	MILL ALUM.	BY STOREFRONT MANUF.
	1	WALL STOP	IVES	WS447	US10B	--
	1	CYLINDER	TBD BY OWNER	--	--	--
1	DOOR BOTTOM SWEEP	KANNEER	--	--	BY STOREFRONT MANUF.	
HN-2 DOOR. NOT USED						
HN-3 DOOR. 111 112	3	BUTT HINGES - 4 1/2" x 4 1/2"	HAGER	BB1274	US26D	--
	1	PUSH PLATE	HAGER	305 8x16	630	--
	1	DOOR PULL	HAGER	33E 4x16	630	--
	1	CLOSER	CORBIN RUSSWIN	DC6200	696	INSTALL ON PULL SIDE OF DOOR
	1	WALL STOP	IVES	WS449	US26D	--
HN-4 DOOR. 107	3	BUTT HINGES - 4 1/2" x 4 1/2"	HAGER	BB1274	US26D	--
	1	STOREROOM LOCKSET	SARGENT, T LINE	21-1604-BL	US26D	--
	1	CLOSER	CORBIN RUSSWIN	DC6200	696	INSTALL ON PULL SIDE OF DOOR
	1	WALL STOP	IVES	WS449	US26D	--
	3	DOOR SILENCERS	IVES	SR64	GREY	--
HN-5 DOOR. 109	1	CONTINUOUS GEAR HINGE	HAGER	T8C-224HD T9"	BR	--
	1	PANIC SET - EXIT ONLY	CORBIN RUSSWIN	EDS200M M54	630	--
	1	FULL HANDLE	IVES	B102-B	S32D	--
	1	PUSH PLATE	IVES	B302-B	S32D	--
	1	CLOSER W/ HOLD OPEN	CORBIN RUSSWIN	DC6210 A1	604	INSTALL ON PUSH SIDE OF DOOR
HN-6 DOOR. 110	3	BUTT HINGES - 4 1/2" x 4 1/2"	HAGER	BB1274	US26D	--
	1	PUSHBUTTON LOCKSET	SIMPLEX	5021-XS-WL-26D	US26D	--
	1	CLOSER	CORBIN RUSSWIN	DC6200	696	INSTALL ON PULL SIDE OF DOOR
	1	WALL STOP	IVES	WS401GVX	US26D	--
	3	DOOR SILENCERS	IVES	SR64	GREY	--
HN-7 DOOR. 118	3	BUTT HINGES - 4 1/2" x 4 1/2"	HAGER	T8C-224HD 83"	BR	--
	1	STOREROOM LOCKSET	SARGENT, T LINE	21-1604-BL	US26D	--
	1	OVERHEAD STOP	RIXSON	10-336	630	--
	1	KICK DOWN HOLDER	IVES	F5452-5	US26D	--
	1	THRESHOLD	HAGER	520s Vx36"	MILL ALUM.	--
1	WEATHER-STRIPPING	HAGER	B705	32D	--	
HN-8 DOOR. 108		NOT USED				

NOTE: ALL DOOR HARDWARE WILL ALLOW FOR FREE EGRESS OUT OF THE BUILDING AT ALL TIMES. NO DEAD BOLTS WILL BE PERMITTED.

GLAZING SCHEDULE	
G-1:	1" INSULATED CLEAR GLASS UNIT (LOW-E)
G-2:	1" INSULATED CLEAR FULLY TEMPERED GLASS UNIT (LOW-E)
G-3:	1/4" FULLY TEMPERED GLASS
G-4:	1/4" CLEAR WIRE GLASS

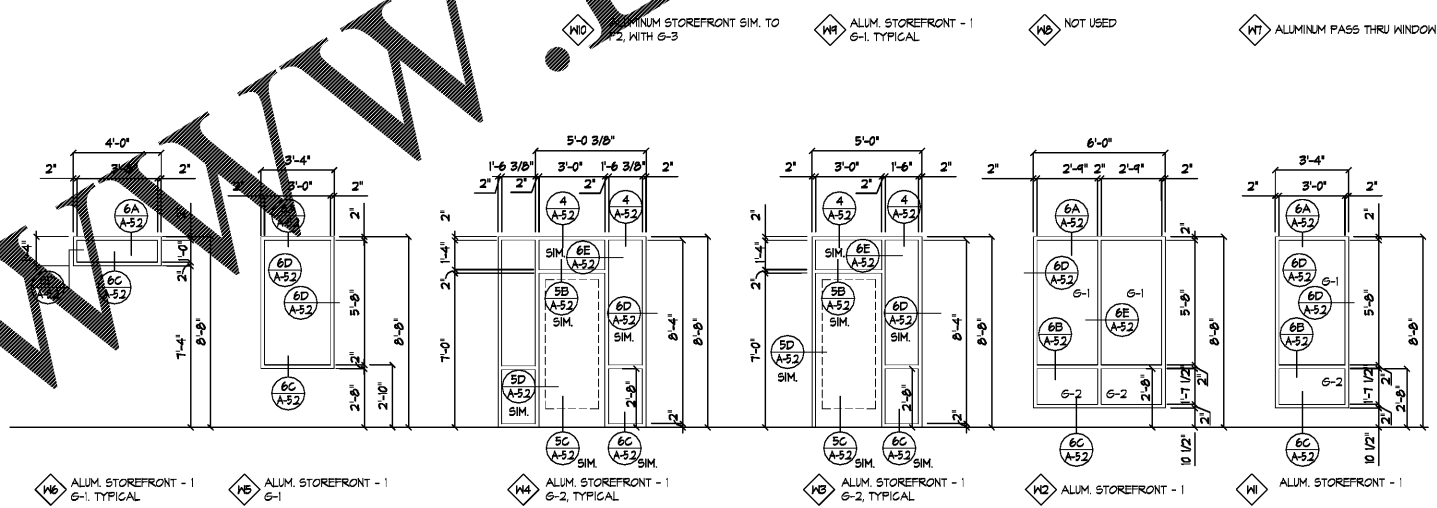
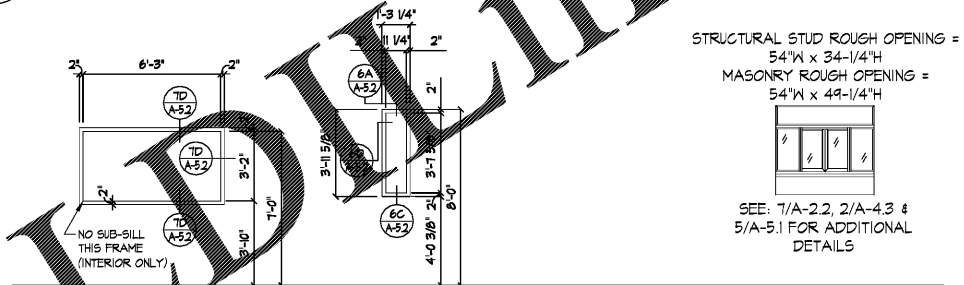
NOTE: PROVIDE FULLY TEMPERED GLASS AT ALL HAZARDOUS LOCATIONS PER IBC SECTION 2406

NOTES:

1. PREMIRE ALL DOORS AND FRAME FOR SECURITY SYSTEM CONNECTIONS.
2. CARE SHALL BE TAKEN NOT TO SCRATCH OR MAR GLASS IN ANY FASHION. ANY FLAWED GLAZING WILL HAVE TO BE REPLACED PRIOR TO PROJECT CLOSEOUT.
3. ALL DOOR HARDWARE IS TO BE LEVER TYPE COMPLYING WITH THE AMERICANS WITH DISABILITIES ACT (ADA) AND ANY APPLICABLE STATE AND LOCAL ACCESSIBILITY CODES.
4. CONTRACTOR SHALL COORDINATE ALL HARDWARE KEYING WITH THE OWNER AND OBTAIN OWNER'S APPROVAL PRIOR TO PLACING HARDWARE ORDER.
5. ALL CLOSERS ARE TO BE INSTALLED ON THE INTERIOR SIDE OF DOORS, UNLESS OTHERWISE NOTED.
6. ALL INTERIOR DOOR OPENINGS TO HAVE A DOUBLE 2x6 HEADER AT WOOD FRAMED WALLS, TYPICAL.

DOOR SCHEDULE												
NO.	ROOM	DOOR			FRAME			HWDR.	REMARKS			
		SIZE	TYPE	MATERIAL	FIRE	FINISH	TYPE			MATERIAL	FINISH	DTL.
105	SERVICE LINE	3'-0" x 7'-0"	D4	ALUM STOREFRONT			W4	ALUM STOREFRONT		5/A-5.2	HN-1	SEE EXTERIOR FIN. SCHED. FOR FINISH
106	BEVERAGE	3'-0" x 7'-0"	D4	ALUM STOREFRONT			W3	ALUM STOREFRONT		5/A-5.2	HN-1	SEE EXTERIOR FIN. SCHED. FOR FINISH
107	SERVRY	3'-0" x 7'-0"	D5	HOLLOW METAL		P-2	F2	ALUMINUM	CLEAR	7/A-5.2	HN-4	DOOR COLOR PER FIN. SCH. INSULATE DOOR
108	NOT USED											
109	FOOD PREP	3'-6" x 6'-6"	D1	GLV. HOLLOW MTL		EXT. PAINT	F1	GLV. HOLLOW MTL	EXT. PAINT	1/A-5.2	HN-5	4x4 GLASS LITE (G-4) WITH COVER FLAP
110	SECURE STORAGE	3'-0" x 7'-0"	D2	FLUSH WOOD		FL-3	F2	ALUMINUM	CLEAR	7/A-5.2	HN-6	
111	MBN	3'-0" x 7'-0"	D5	HOLLOW METAL		P-2	F2	ALUMINUM	CLEAR	7/A-5.2	HN-3	DOOR COLOR PER FIN. SCH. INSULATE DOOR
112	WOMEN	3'-0" x 7'-0"	D5	HOLLOW METAL		P-2	F2	ALUMINUM	CLEAR	7/A-5.2	HN-3	DOOR COLOR PER FIN. SCH. INSULATE DOOR
113	DRY STORAGE											
114	DT #2											
115	FREEZER	BY OTHERS						BY OTHERS				
116	COOLER	BY OTHERS						BY OTHERS				
117	COOLER	BY OTHERS						BY OTHERS				
118	WASTE ENCLOSURE	3'-0" x 7'-0"	D5	GLV. HOLLOW MTL		EXT. PAINT	F3	GLV. HOLLOW MTL	EXT. PAINT	2/A-5.2	HN-7	THIS DOOR EXCLUDED IN ALTERNATE #1

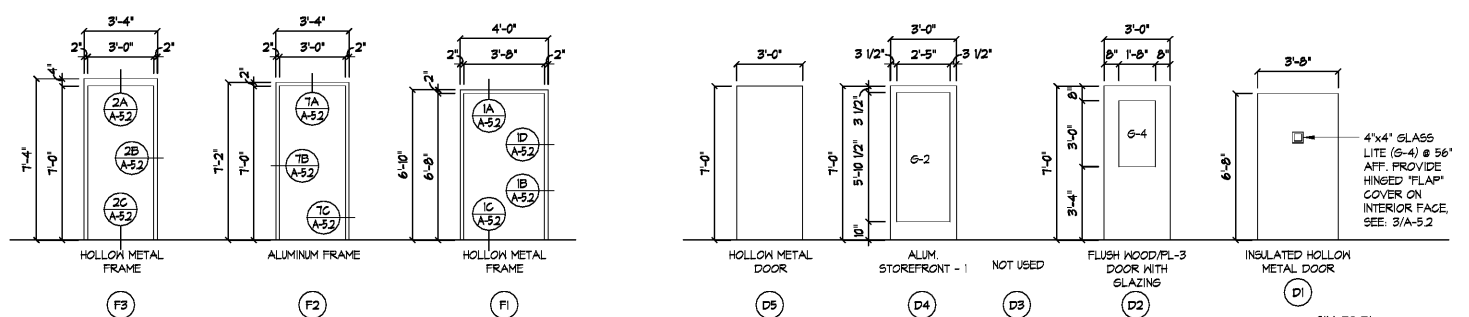
4 DOOR/GLAZING/HARDWARE SCHEDULES  
SCALE: NTS



3 WINDOW ELEVATIONS  
SCALE: 1/4" = 1'-0" - DRAWN FROM EXTERIOR VIEW

ALL ALUMINUM STOREFRONT SYSTEMS SHALL BE KANNEER SYSTEM 45-T CENTER SET STOREFRONT

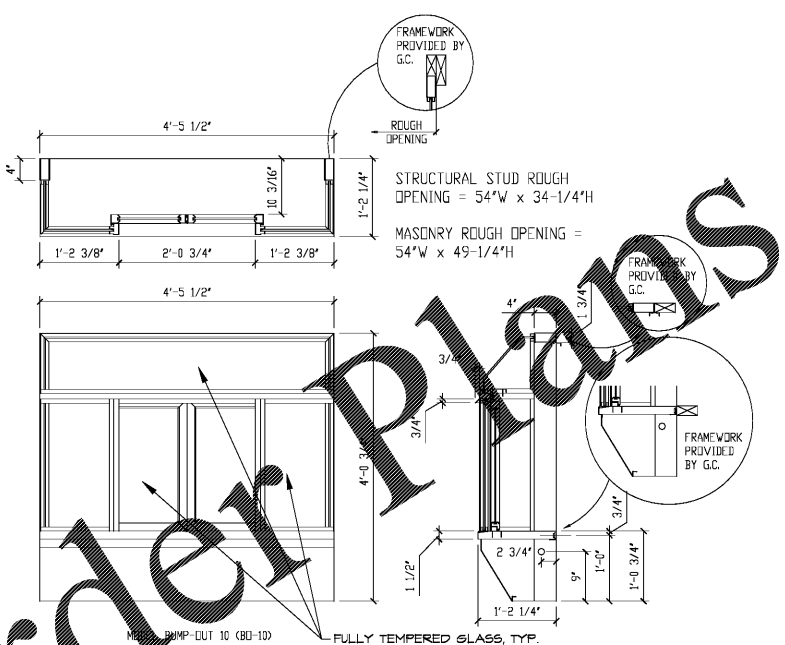
- NOTE-1: SAFETY GLAZING NOT REQUIRED AT LOWER LITES PER 2406.4.1.1 (LESS THAN 9 SF) & 7.3 (TOP EDGE LESS THAN 36" ABOVE FLOOR)
- NOTE-2: REFER TO PLANS, ELEVATIONS AND WALL SECTIONS FOR ADDITIONAL HEAD AND JAMB DETAILS DEPENDING ON ACTUAL WALL SUBSTRATES AND FINISHES.



1 DOOR ELEVATIONS  
SCALE: 1/4" = 1'-0"

2 FRAME ELEVATIONS  
SCALE: 1/4" = 1'-0"

5 DRIVE THRU WINDOW DETAILS  
SCALE: NTS



NOTE: THIS DETAIL IS PROVIDED FROM THE MANUFACTURER AND IS FOR INFORMATION PURPOSES ONLY. OBTAIN MOST CURRENT PRODUCT DATA PRIOR TO ROUGH-IN. SEE ELECTRICAL DRAWINGS FOR POWER REQUIREMENTS.

Order Plans

421 Penman Street, Suite 200, Charlotte, NC 28203  
Email: esd@esdarch.com • Phone: 704-373-1900

NOT FOR CONSTRUCTION

BOJANGLES' 14 RESTAURANT  
HUDSON BRIDGE ROAD  
AT WILLIS DRIVE  
STOCKBRIDGE, GEORGIA

NOT FOR CONSTRUCTION

ISSUE DATE: 2-4-2019  
PRELIM-BUDGET  
REVISION 1: ---  
REVISION 2: ---  
REVISION 3: ---  
REVISION 4: ---

PROJECT #: 18-164-000  
CONTENT: DOOR & WINDOW ELEVATIONS & SCHEDULES

PROJECT ARCHITECT: ECE  
DRAWN BY: BH/CDD

CADD FILE NAME:  
18-164\_CDSA-51 DOOR.WIN

THIS DRAWING AND THE DESIGN SHOWN ARE THE PROPERTY OF ESD. THE REPRODUCTION, OR USE OF THIS DRAWING WITHOUT THEIR WRITTEN CONSENT IS PROHIBITED. ANY INFRINGEMENT IS SUBJECT TO LEGAL ACTION.

Sheet  
A-5.1

THE ARCHITECT/ENGINEER DOES NOT DEFINE THE SCOPE OF INDIVIDUAL TRADES, SUBCONTRACTORS, MATERIAL SUPPLIERS, OR VENDORS. ANY SHEET NUMBERING SYSTEM USED WHICH IDENTIFIES DISCIPLINES IS SOLELY TO SEPARATE ARCHITECTS AND ENGINEER'S SCOPE. IT DOES NOT DEFINE A SUBCONTRACTOR'S SCOPE OF WORK. ANY DISCREPANCIES BETWEEN DRAWINGS, SPECIFICATIONS, CODES OR CONSTRUCTION SEQUENCING SHALL BE BROUGHT TO THE ATTENTION OF THE ARCHITECT PRIOR TO PROCEEDING. NO CONSIDERATION WILL BE GIVEN TO REQUESTS FOR CHANGE ORDERS FOR FAILURE TO OBTAIN AND REVIEW THE COMPLETE SET OF CONSTRUCTION DOCUMENTS, OR FOR FAILURE TO SEEK INTERPRETATION FROM ARCHITECT FOR DISCREPANCIES.