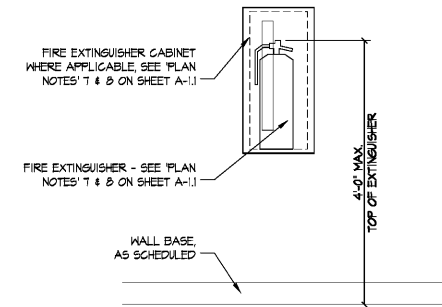


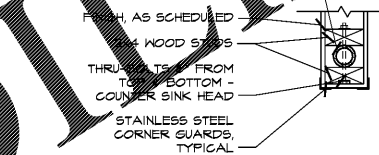
Order Plans @

WWW.LDLINE.COM

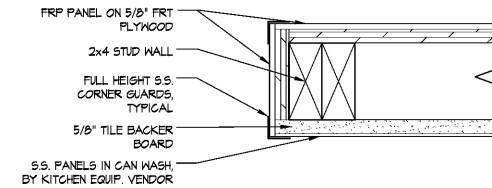


4 F.E. MOUNTING HEIGHT  
SCALE: 3/4"=1'-0"

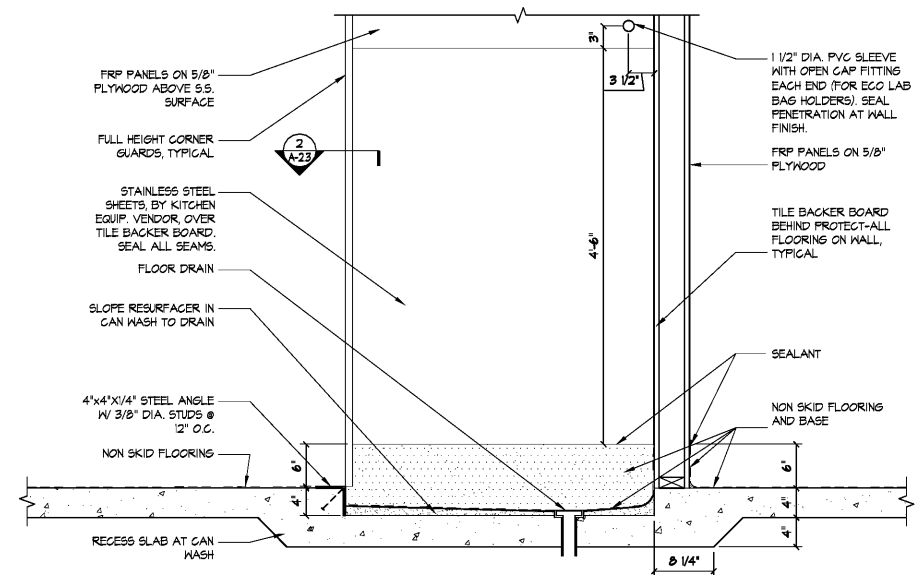
CORE DRILL 2" DIA. HOLE IN CONCRETE SLAB 12" DEEP. DRIVE 60" LONG 2" O.D. GALVANIZED PIPE INTO CORE DRILL. CUT OFF DAMAGED SECTION OF PIPE AND SHIM NECESSARY TO PLUMB DRILL PIPE WITH NON SHRINK GROUT.



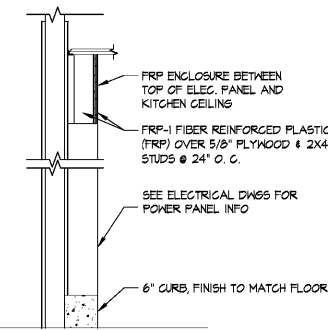
3 LOW WALL DETAIL  
SCALE: 1 1/2"=1'-0"



2 SECTION AT CAN WASH WALL  
SCALE: 3"=1'-0"



1 CAN WASH BASIN SECTION  
SCALE: 1"=1'-0"



5 ELECTIC PANEL SUPPORT  
SCALE: 3/4"=1'-0"

THE ARCHITECT/ENGINEER DOES NOT DEFINE THE SCOPE OF INDIVIDUAL TRADES, SUBCONTRACTORS, MATERIAL SUPPLIERS, OR VENDORS. ANY SHEET NUMBERING SYSTEM USED WHICH IDENTIFIES DISCIPLINES IS SOLELY TO SEPARATE ARCHITECTS AND ENGINEER'S SCOPE. IT DOES NOT DEFINE A SUBCONTRACTOR'S SCOPE OF WORK. ANY DISCREPANCIES BETWEEN DRAWINGS, SPECIFICATIONS, CODES OR CONSTRUCTION SEQUENCING SHALL BE BROUGHT TO THE ATTENTION OF THE ARCHITECT PRIOR TO PROCEEDING. NO CONSIDERATION WILL BE GIVEN TO REQUESTS FOR CHANGE ORDERS FOR FAILURE TO OBTAIN AND REVIEW THE COMPLETE SET OF CONSTRUCTION DOCUMENTS, OR FOR FAILURE TO SEEK INTERPRETATION FROM ARCHITECT FOR DISCREPANCIES.

NOT FOR CONSTRUCTION

BOJANGLES' 14 RESTAURANT  
HUDSON BRIDGE ROAD  
AT WILLIS DRIVE  
STOCKBRIDGE, GEORGIA

NOT FOR CONSTRUCTION

ISSUE DATE: 2-4-2019  
PRELIM-BUDGET  
REVISION 1: -  
REVISION 2: -  
REVISION 3: -  
REVISION 4: -  
PROJECT #: 18-164-000  
CONTENT: MISCELLANEOUS  
PLAN DETAILS  
PROJECT ARCHITECT: ECE  
DRAWN BY: BH/CDD

CADD FILE NAME:  
18-164CDVA-2.3 PLAN DETAILS  
THIS DRAWING AND THE DESIGN SHOWN ARE THE PROPERTY OF ESO. THE REPRODUCTION, OR USE OF THIS DRAWING WITHOUT THEIR WRITTEN CONSENT IS PROHIBITED. ANY INFRINGEMENT IS SUBJECT TO LEGAL ACTION.  
Sheet  
A-2.3

**ESD**  
ARCHITECTURE & INTERIOR DESIGN  
421 Penman Street, Suite 200, Charlotte, NC 28203  
Email: esd@esdarch.com • Phone: 704-373-1900