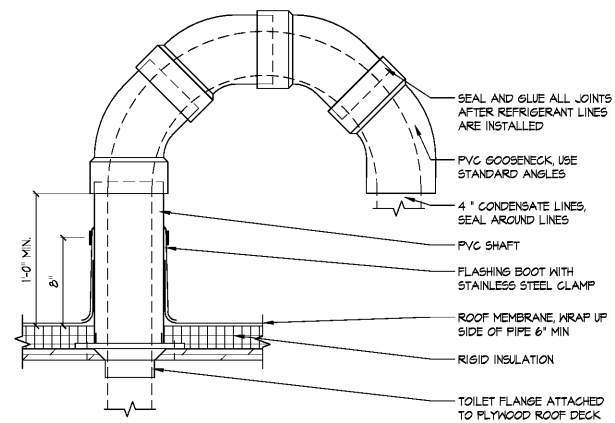
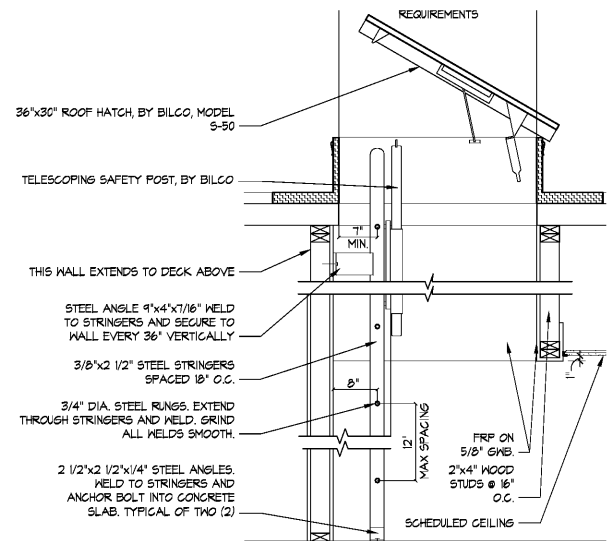


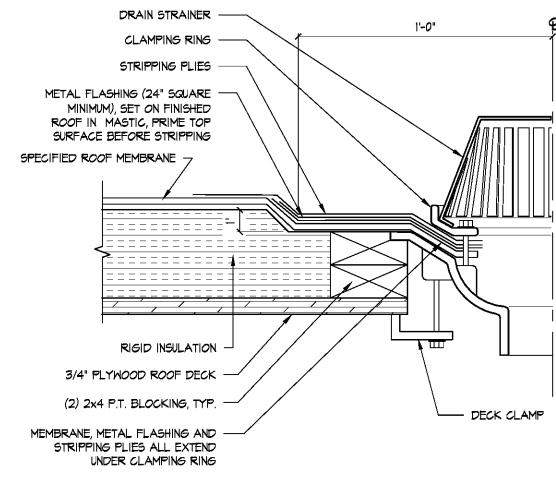
P:\CLIENT FILES\Bojangles' 18-164-000 Bojangles' (F) Stockbridge GA\06-CD's-NEW Pitch Roof\A01-3 ROOF PLAN.dwg, Plotted By: rsevers, Plotted: Feb 04, 2019 - 3:38pm



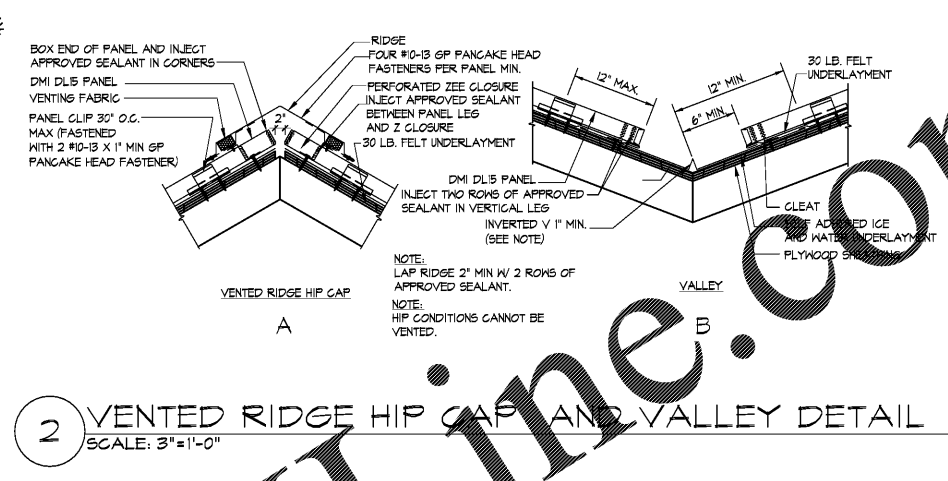
5 PENETRATION DETAIL
SCALE: N.T.S.



4 ROOF HATCH DETAIL
SCALE: 3/4\"=1'-0\"

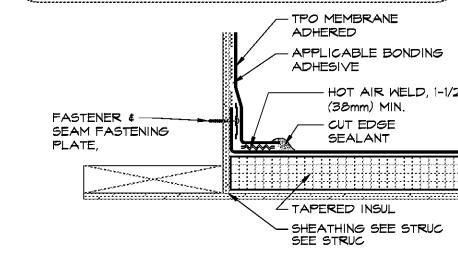


3 ROOF DRAIN DETAIL
SCALE: 3\"=1'-0\"

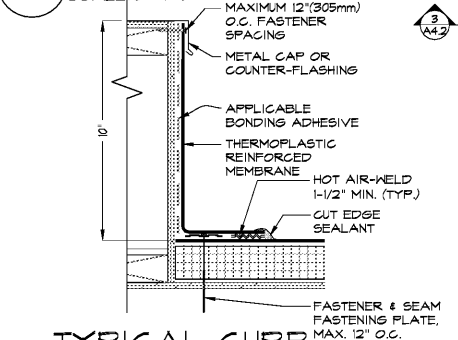


2 VENTED RIDGE HIP CAP AND VALLEY DETAIL
SCALE: 3\"=1'-0\"

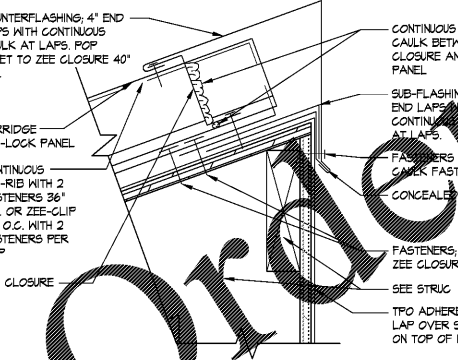
CAUTION
FASTENERS AND PLATES ARE REQUIRED AT 6\" O.C. FOR ADHERED SYSTEMS WITH WARRANTY. WIND SPEED COVERAGE GREATER THAN 90 MPH AND FOR ALL PROJECTS WITH WARRANTIES GREATER THAN 20 YEARS.



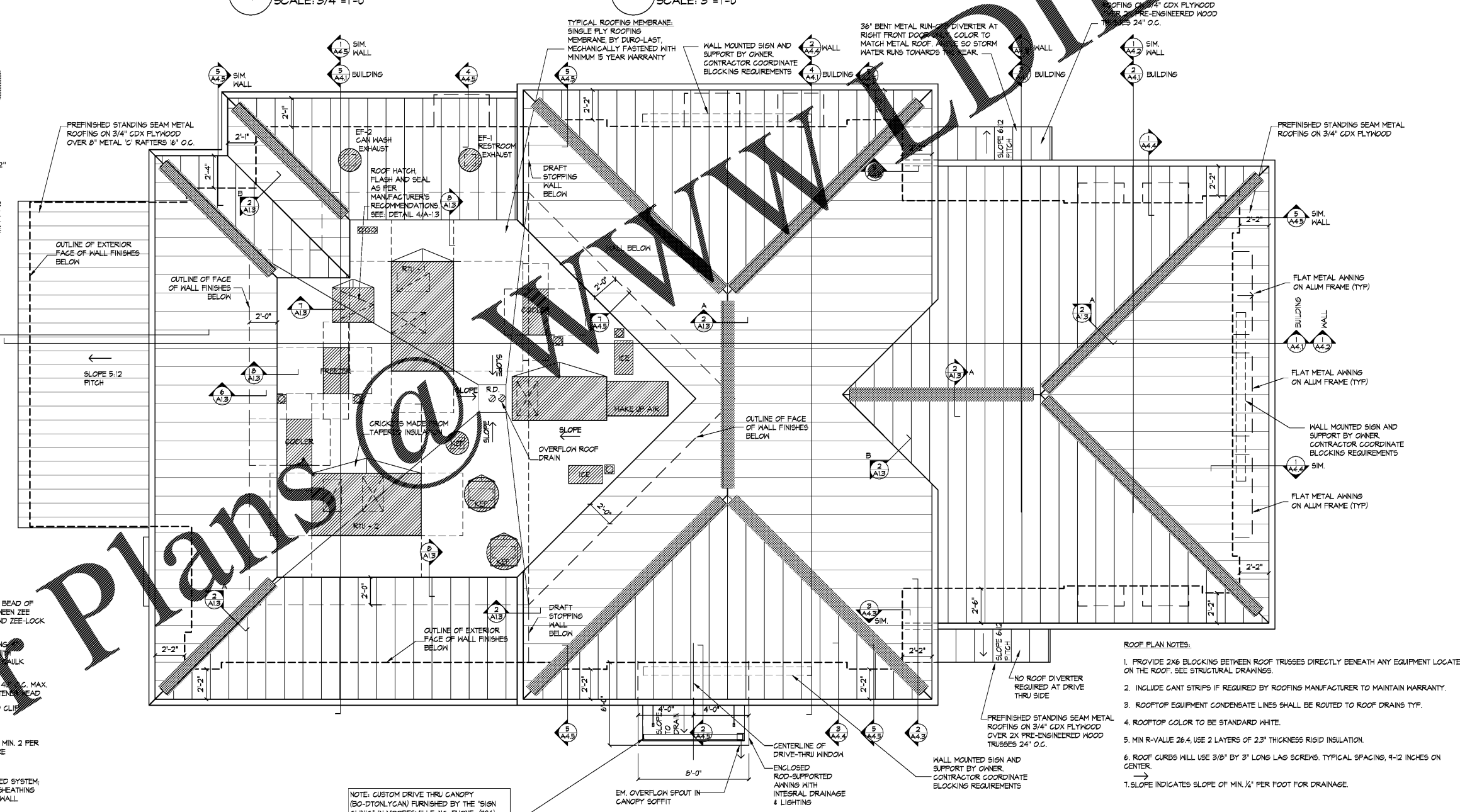
6 TYPICAL PARAPET FLASHING DETAIL
SCALE: 3\"=1'-0\"



7 TYPICAL CURB FLASHING DETAIL
SCALE: 3\"=1'-0\"



8 ROOF EDGE DETAIL
SCALE: 3\"=1'-0\"



1 ROOF PLAN
SCALE: 1/4\"=1'-0\"

NOTE: CUSTOM DRIVE THRU CANOPY (EO-DTONLYCAN) FURNISHED BY THE 'SIGN CLINIC' IN MOORESVILLE, NC. PHONE: (704) 664-4384 OR ARCHITECT'S APPROVED EQUAL. CANOPY VENDOR TO PROVIDE ONE (1) FLUSH RECESSED LIGHT IN EACH CANOPY. CENTER CANOPY OVER DRIVE-THRU WINDOW.

- ROOF PLAN NOTES:**
- 1. PROVIDE 2X6 BLOCKING BETWEEN ROOF TRUSSES DIRECTLY BENEATH ANY EQUIPMENT LOCATED ON THE ROOF. SEE STRUCTURAL DRAWINGS.
 - 2. INCLUDE GANT STRIPS IF REQUIRED BY ROOFING MANUFACTURER TO MAINTAIN WARRANTY.
 - 3. ROOFTOP EQUIPMENT CONDENSATE LINES SHALL BE ROUTED TO ROOF DRAINS TYP.
 - 4. ROOF TOP COLOR TO BE STANDARD WHITE.
 - 5. MIN R-VALUE 26.4, USE 2 LAYERS OF 23\"/>
 - 6. ROOF CURBS WILL USE 3/8\"/>
 - 7. SLOPE INDICATES SLOPE OF MIN. 1/4\"/>

EB
ARCHITECTURE & INTERIOR DESIGN
421 Penman Street, Suite 200, Charlotte, NC 28203
Email: esd@esdarich.com • Phone: 704-373-1900

NOT FOR CONSTRUCTION

BOJANGLES' 14 RESTAURANT
HUDSON BRIDGE ROAD
AT WILLIS DRIVE
STOCKBRIDGE, GEORGIA

NOT FOR CONSTRUCTION

ISSUE DATE: 2-4-2019
PRELIM-BUDGET
REVISION 1: _____
REVISION 2: _____
REVISION 3: _____
REVISION 4: _____
PROJECT #: 18-164-000
CONTENT: ROOF PLAN AND DETAILS

PROJECT ARCHITECT: ECE
DRAWN BY: BH/CDD
CADD FILE NAME: 18-164_CDSA-13 ROOF PLAN

THIS DRAWING AND THE DESIGN SHOWN ARE THE PROPERTY OF ESO. THE REPRODUCTION, OR USE OF THIS DRAWING WITHOUT THEIR WRITTEN CONSENT IS PROHIBITED. ANY INFRINGEMENT IS SUBJECT TO LEGAL ACTION.

Sheet
A-1.3

Order Plans