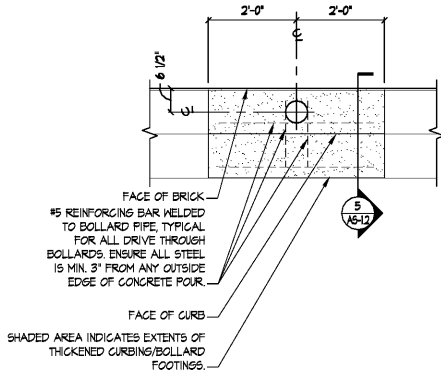
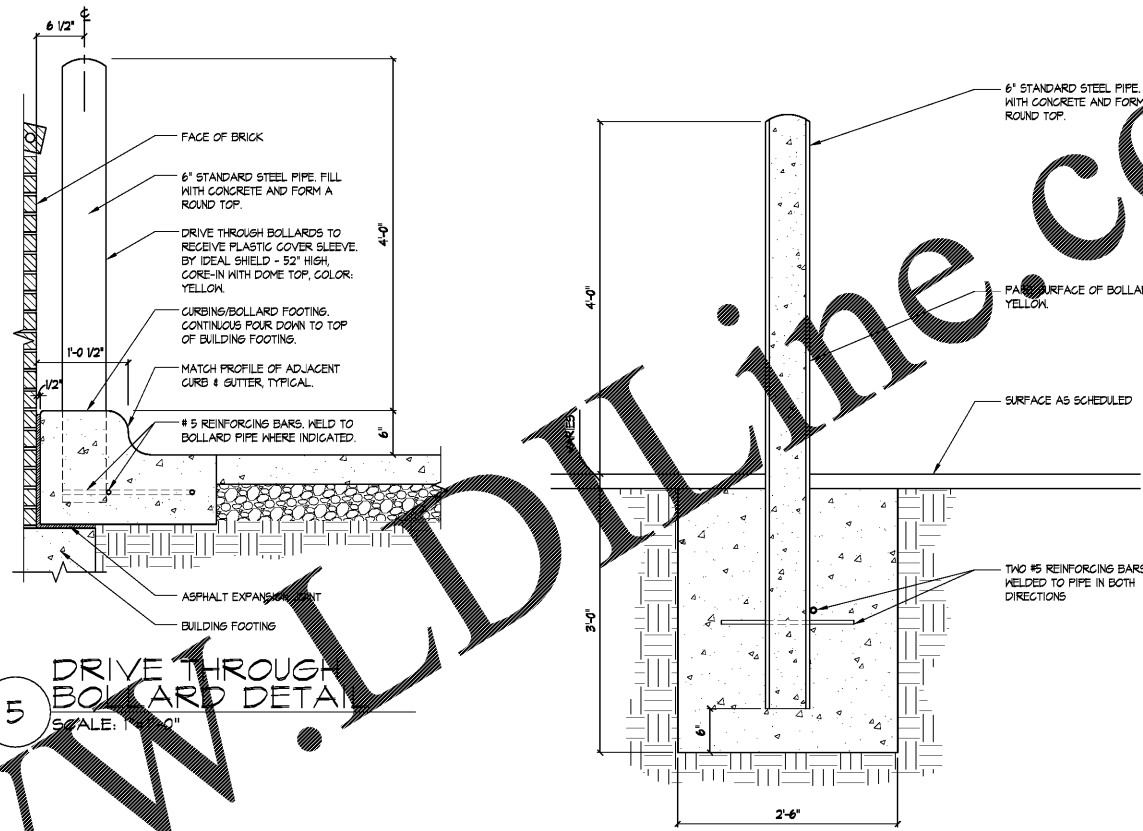


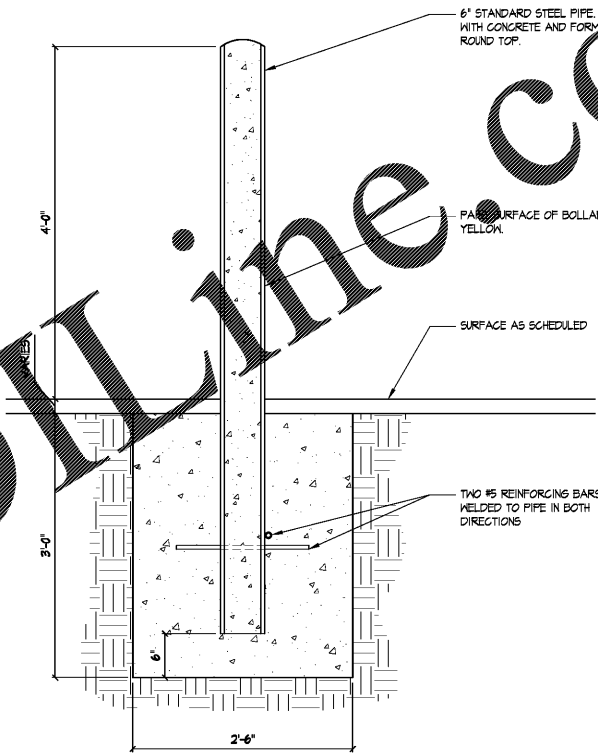
7 DRIVE THROUGH DETECTOR LOOP DETAIL  
SCALE: 1/2"=1'-0"



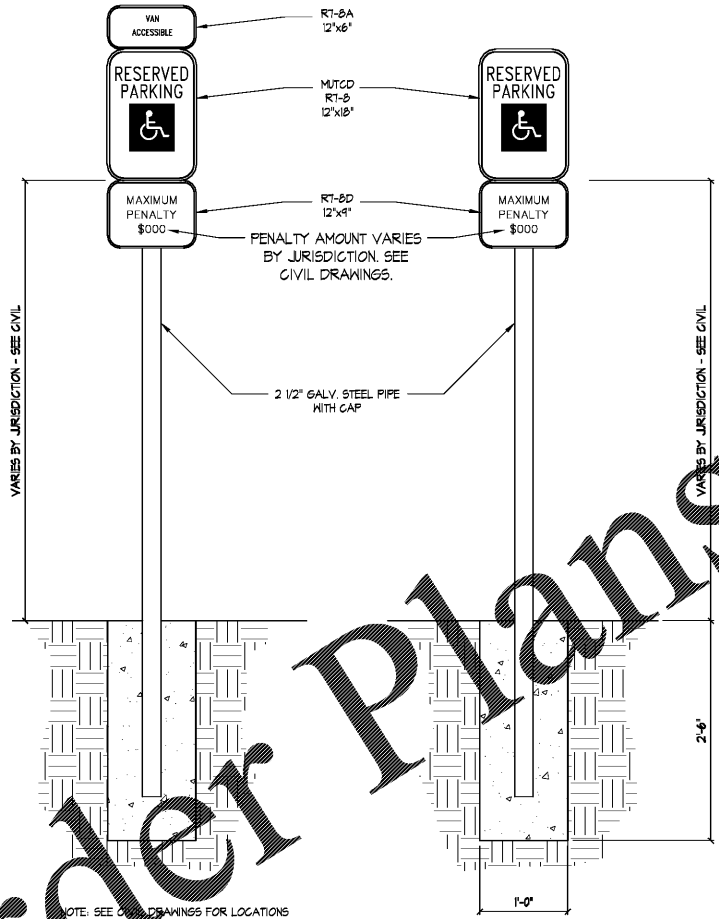
6 DRIVE THROUGH BOLLARD PLAN  
SCALE: 1/2"=1'-0"



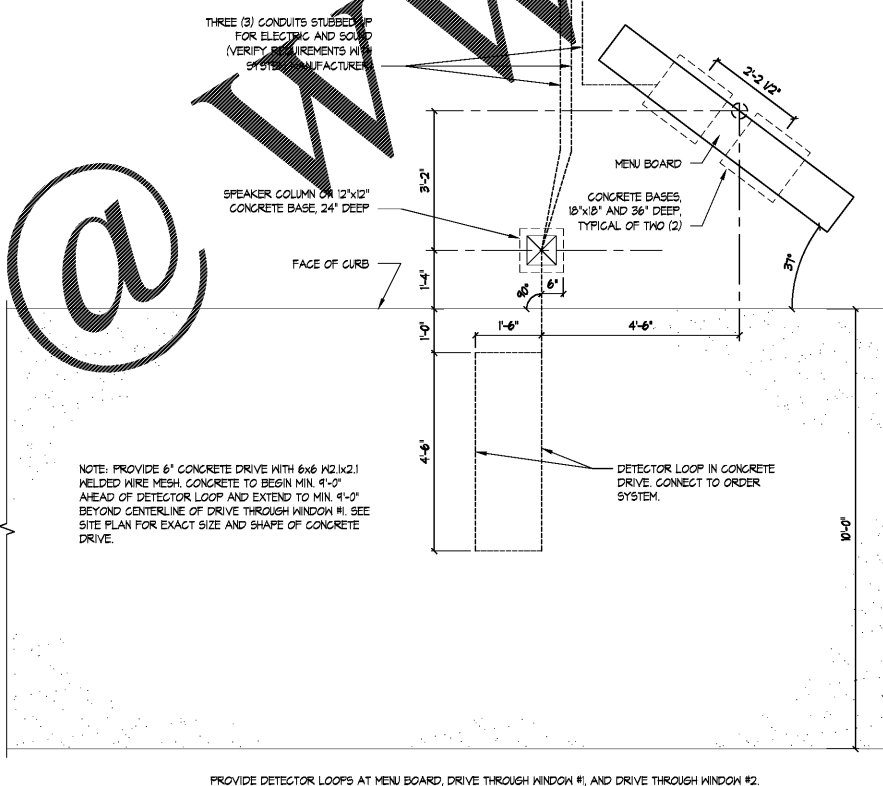
5 DRIVE THROUGH BOLLARD DETAIL  
SCALE: 1"=1'-0"



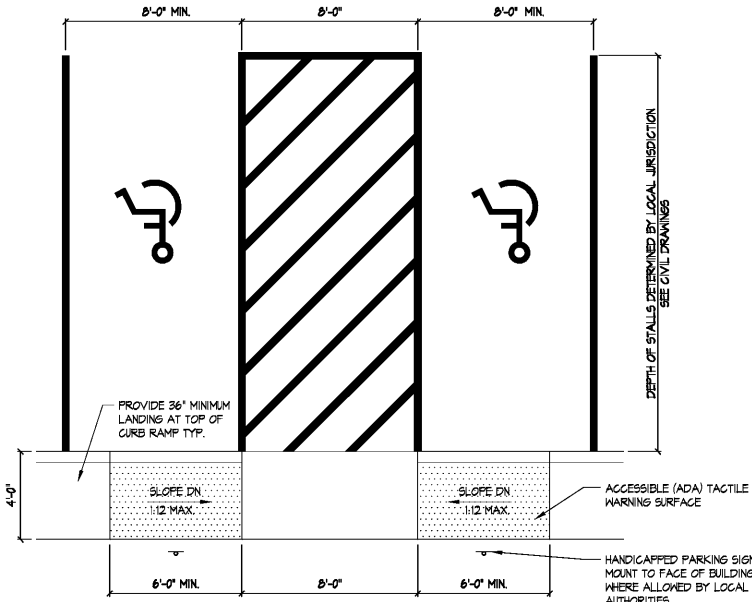
4 WASTE ENCLOSURE BOLLARD DETAIL  
SCALE: 1"=1'-0"



3 TYPICAL HANDICAPPED PARKING SIGNAGE  
SCALE: 1"=1'-0"



2 DRIVE THROUGH DETECTOR LOOP DETAIL  
SCALE: 1/2"=1'-0"



1 TYPICAL HANDICAPPED PARKING SPACES  
SCALE: 1/4"=1'-0"

Order Plans

WWW.LDLINE.COM



NOT FOR CONSTRUCTION

**BOJANGLES' 14 RESTAURANT**  
HUDSON BRIDGE ROAD  
AT WILLIS DRIVE  
STOCKBRIDGE, GEORGIA

NOT FOR CONSTRUCTION

ISSUE DATE: 2-4-2019  
PRELIM-BUDGET  
REVISION 1:  
REVISION 2:  
REVISION 3:  
REVISION 4:  
PROJECT #: 18-164-000  
CONTENT: ARCHITECTURAL SITE DETAILS  
PROJECT ARCHITECT: ECE  
DRAWN BY: BH/CDD

CADD FILE NAME: 18-164-000-AS-1.2 SITE DETAILS  
THIS DRAWING AND THE DESIGN SHOWN ARE THE PROPERTY OF ESO. THE REPRODUCTION, OR USE OF THIS DRAWING WITHOUT THEIR WRITTEN CONSENT IS PROHIBITED. ANY INFRINGEMENT IS SUBJECT TO LEGAL ACTION.  
Sheet  
**AS-1.2**

THE ARCHITECT/ENGINEER DOES NOT DEFINE THE SCOPE OF INDIVIDUAL TRADES, SUBCONTRACTORS, MATERIAL SUPPLIERS, OR VENDORS. ANY SHEET NUMBERING SYSTEM USED WHICH IDENTIFIES DISCIPLINES IS SOLELY TO SEPARATE ARCHITECTS AND ENGINEER'S SCOPE. IT DOES NOT DEFINE A SUBCONTRACTOR'S SCOPE OF WORK. ANY DISCREPANCIES BETWEEN DRAWINGS, SPECIFICATIONS, CODES OR CONSTRUCTION SEQUENCING SHALL BE BROUGHT TO THE ATTENTION OF THE ARCHITECT PRIOR TO PROCEEDING. NO CONSIDERATION WILL BE GIVEN TO REQUESTS FOR CHANGE ORDERS FOR FAILURE TO OBTAIN AND REVIEW THE COMPLETE SET OF CONSTRUCTION DOCUMENTS, OR FOR FAILURE TO SEEK INTERPRETATION FROM ARCHITECT FOR DISCREPANCIES.