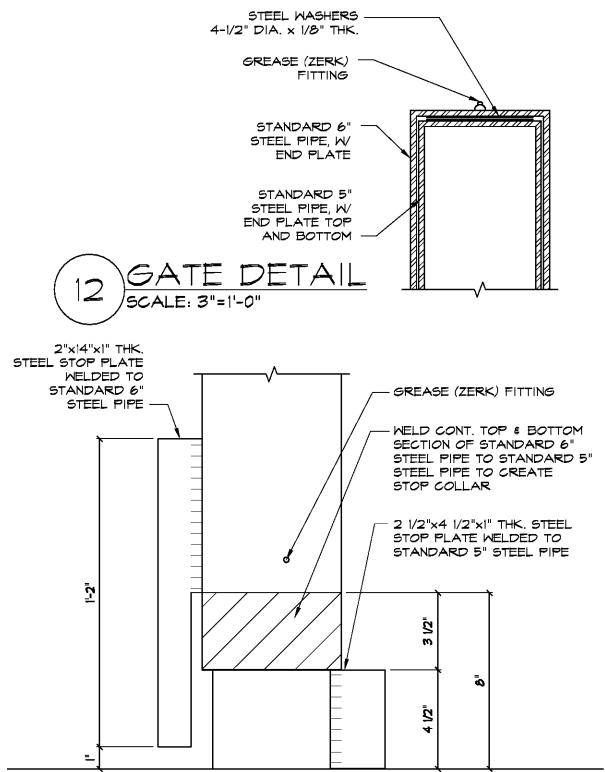
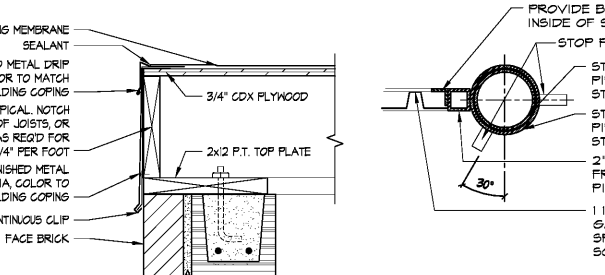


P:\CLIENT FILES\Bojangles' 18-164-000 Bojangles' (F) Stockbridge GA\06-CD's-NEW Pitch: rsevers, Plotted By: Feb 04, 2019 - 3:32pm

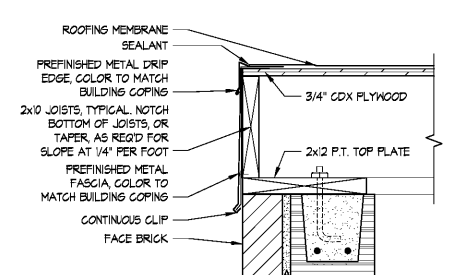
12 GATE DETAIL
SCALE: 3"=1'-0"



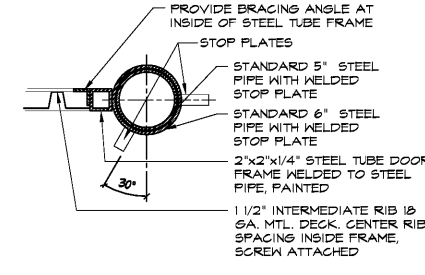
11 GATE DETAIL
SCALE: 3"=1'-0"



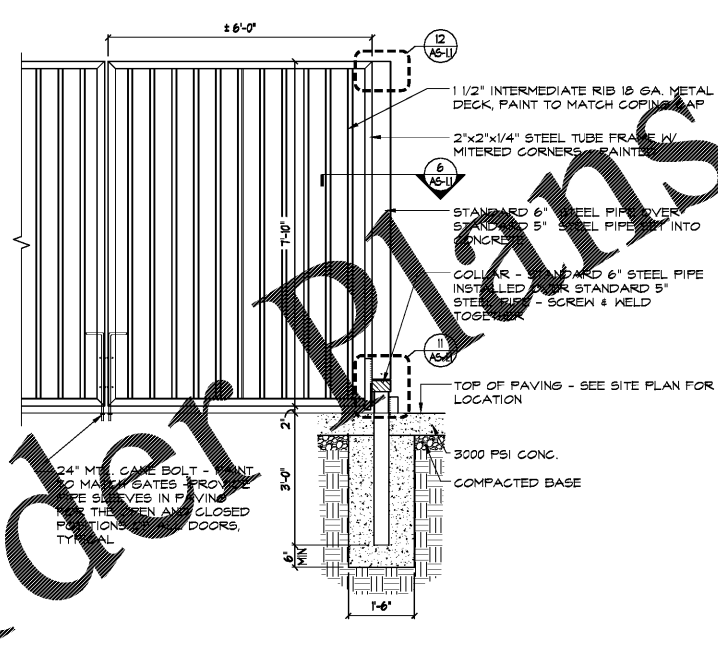
7 SECTION DETAIL
SCALE: 1 1/2"=1'-0"



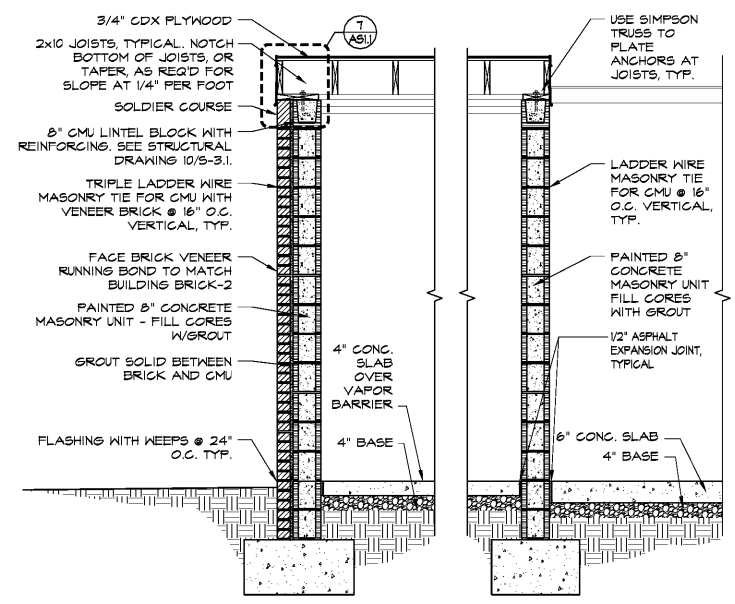
6 GATE DETAIL
SCALE: 1 1/2"=1'-0"



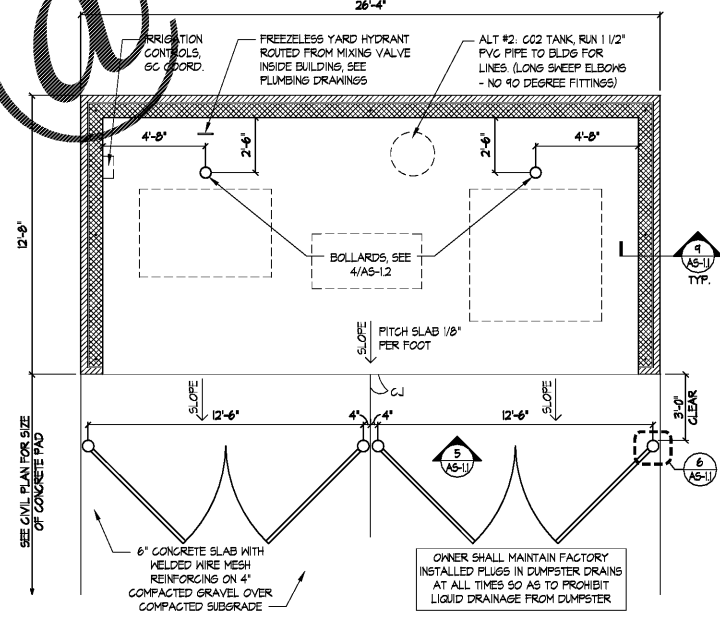
3 GATE ELEVATION DETAIL
SCALE: 1/2"=1'-0"



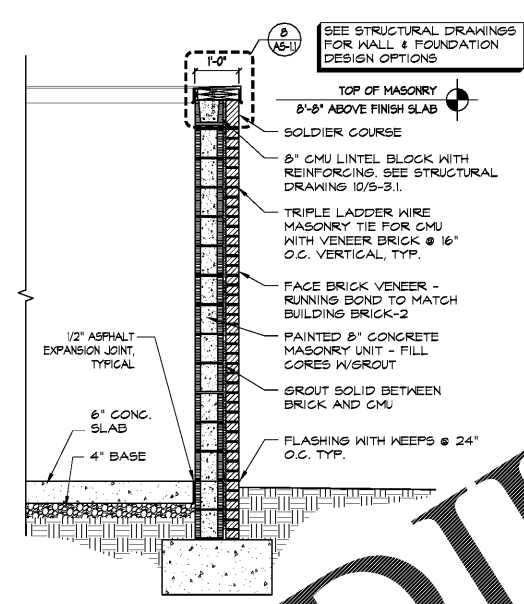
10 WASTE ENCLOSURE SECTION
SCALE: 1/2"=1'-0"



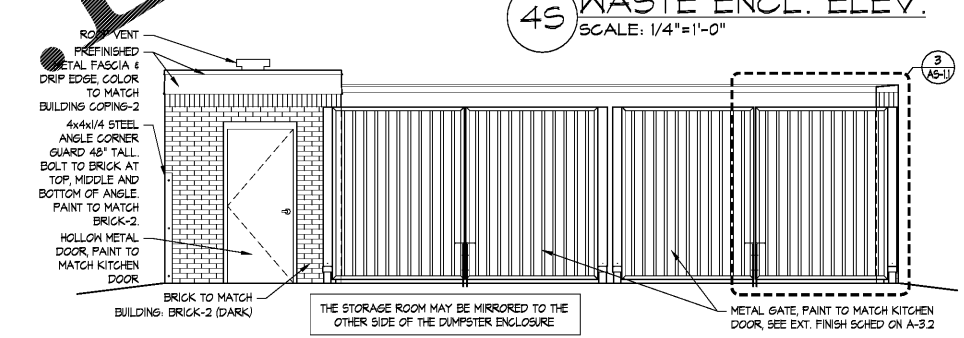
2 ALTERNATE #1 WASTE ENCLOSURE PLAN
SCALE: 1/4"=1'-0"



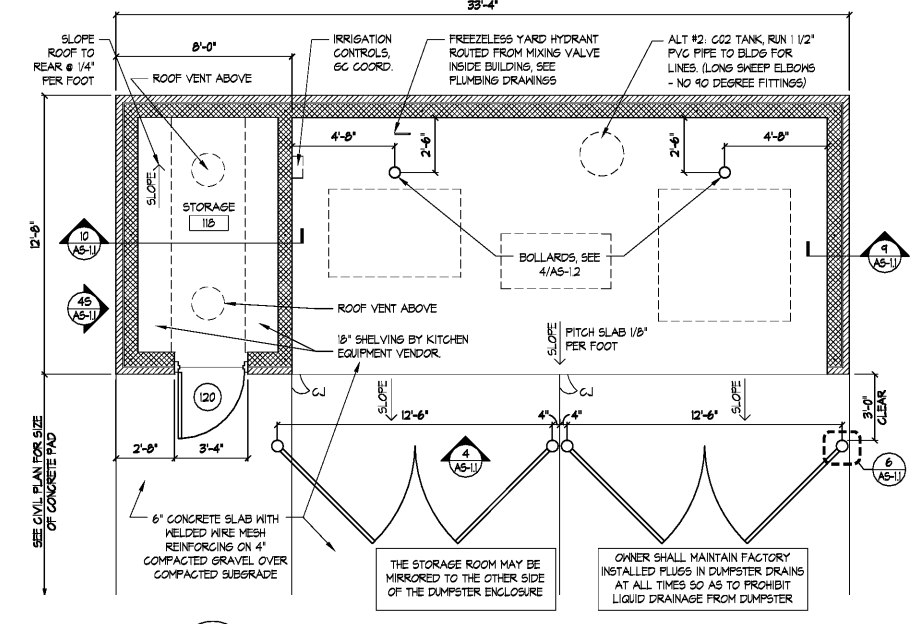
9 WASTE ENCLOSURE WALL SECTION
SCALE: 1/2"=1'-0"



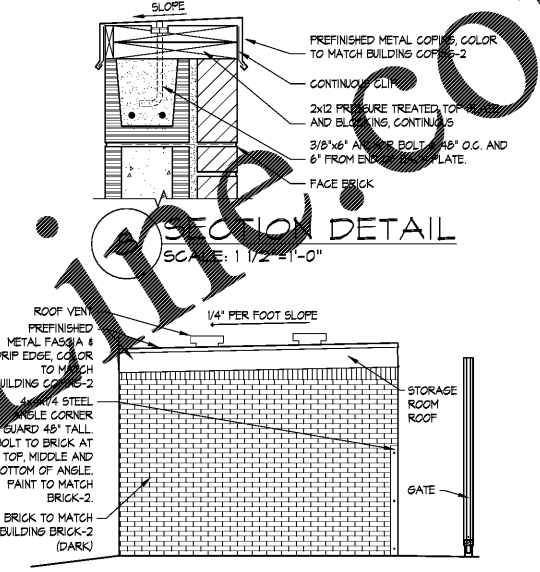
4 WASTE ENCLOSURE ELEVATION
SCALE: 1/4"=1'-0"



1 WASTE ENCLOSURE PLAN
SCALE: 1/4"=1'-0"

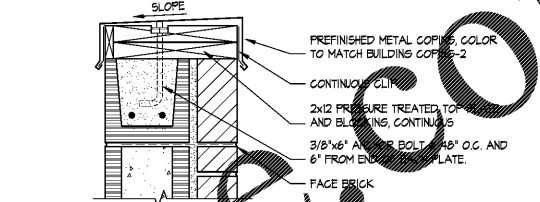


4S WASTE ENCL. ELEV.
SCALE: 1/4"=1'-0"



- NOTES:
1. ALL STEEL TO BE WELDED AND GROUND SMOOTH.
 2. GATES AND ALL STEEL COMPONENTS ARE TO BE PRIMED AND PAINTED TO MATCH MASONRY COPING CAP
 3. STANDARD SIZE 6" STEEL PIPE IS 6.325" O.D. THICKNESS OF 0.28"
 4. STANDARD SIZE 5" STEEL PIPE IS 5.563" O.D. THICKNESS OF 0.258"

SECTION DETAIL
SCALE: 1 1/2"=1'-0"



Order Plans

BOJANGLES' 14 RESTAURANT
HUDSON BRIDGE ROAD
AT WILLIS DRIVE
STOCKBRIDGE, GEORGIA

NOT FOR CONSTRUCTION

ISSUE DATE: 2-4-2019
PRELIM-BUDGET
REVISION 1: --
REVISION 2: --
REVISION 3: --
REVISION 4: --

PROJECT #: 18-164-000
CONTENT: ARCHITECTURAL
SITE DETAILS

PROJECT ARCHITECT: ECE
DRAWN BY: BH/CDD

CADD FILE NAME:
18-164 CDAS-1.1 SITE DETAILS

Sheet
AS-1.1

THE ARCHITECT/ENGINEER DOES NOT DEFINE THE SCOPE OF INDIVIDUAL TRADES, SUBCONTRACTORS, MATERIAL SUPPLIERS, OR VENDORS. ANY SHEET NUMBERING SYSTEM USED WHICH IDENTIFIES DISCIPLINES IS SOLELY TO SEPARATE ARCHITECTS AND ENGINEER'S SCOPE. IT DOES NOT DEFINE A SUBCONTRACTOR'S SCOPE OF WORK. ANY DISCREPANCIES BETWEEN DRAWINGS, SPECIFICATIONS, CODES OR CONSTRUCTION SEQUENCING SHALL BE BROUGHT TO THE ATTENTION OF THE ARCHITECT PRIOR TO PROCEEDING. NO CONSIDERATION WILL BE GIVEN TO REQUESTS FOR CHANGE ORDERS FOR FAILURE TO OBTAIN AND REVIEW THE COMPLETE SET OF CONSTRUCTION DOCUMENTS, OR FOR FAILURE TO SEEK INTERPRETATION FROM ARCHITECT FOR DISCREPANCIES.