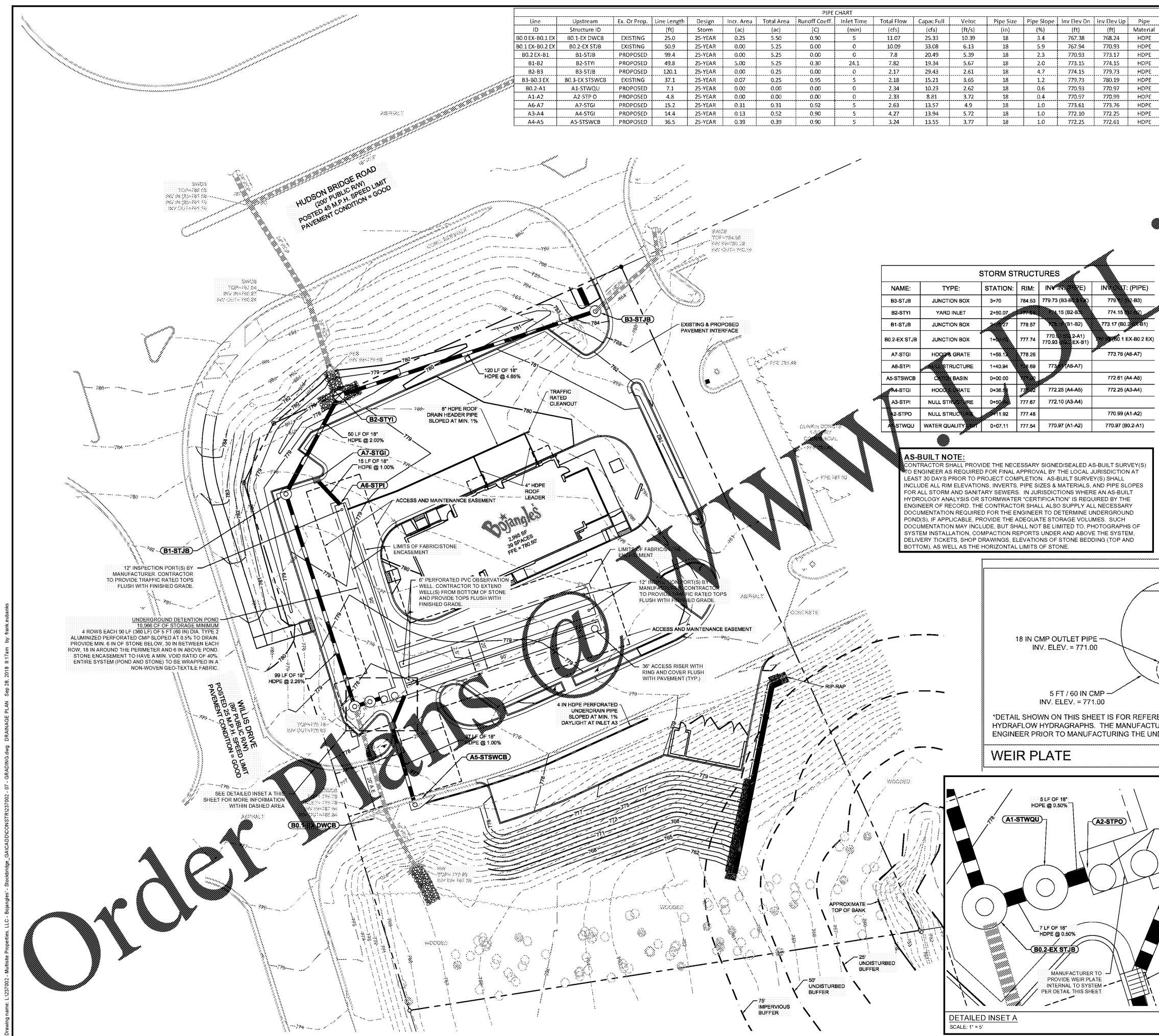


Drawing name: L137002 - Multi-Use Properties, LLC - Bojangles' - Stockbridge - GA/CADD/CONSTRUC37002 - 07 - GRADING PLAN - Sep 28, 2018 8:17am by Frank Subanks

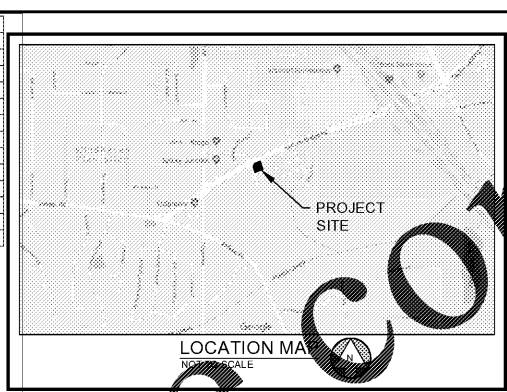


PIPE CHART

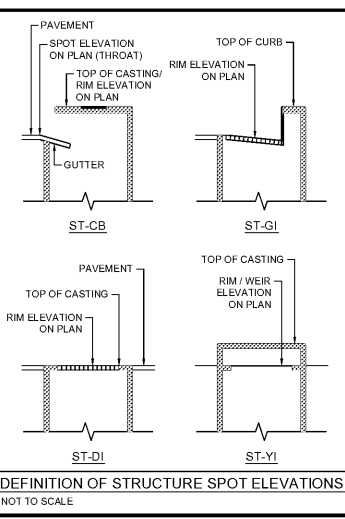
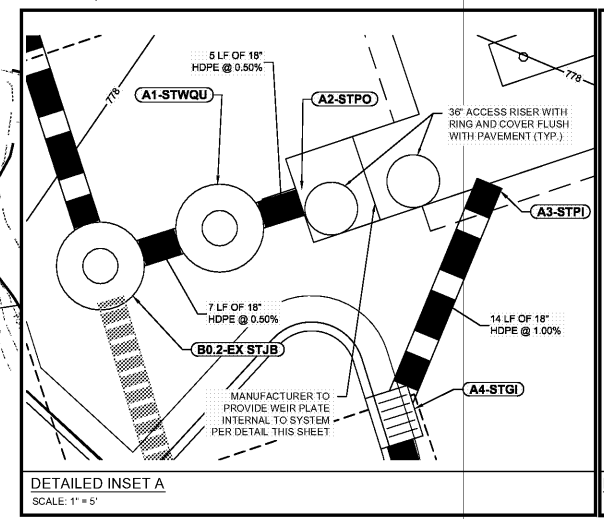
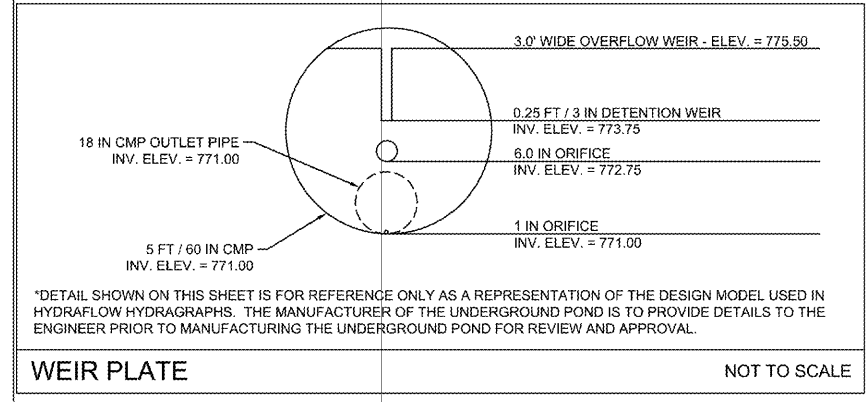
Line ID	Upstream Structure ID	Ex. Or Prop.	Line Length (ft)	Design Storm	Incr. Area (ac)	Total Area (ac)	Runoff Coeff. (C)	Inlet Time (min)	Total Flow (cfs)	Capac. Full (cfs)	Veloc. (ft/s)	Pipe Size (in)	Pipe Slope (%)	Inv. Elev Dn (ft)	Inv. Elev Up (ft)	Pipe Material
B0.0-EX-B0.1-EX	B0.1-EX-DWCB	EXISTING	25.0	25-YEAR	0.25	5.50	0.90	5	11.07	25.33	10.39	18	3.4	767.38	768.24	HDPE
B0.1-EX-B0.2-EX	B0.2-EX-STJB	EXISTING	50.9	25-YEAR	0.00	5.25	0.00	0	10.09	33.08	6.13	18	5.9	767.94	770.93	HDPE
B0.2-EX-B1	B1-STJB	PROPOSED	99.4	25-YEAR	0.00	5.25	0.00	0	7.8	20.49	5.39	18	2.3	770.93	773.17	HDPE
B1-B2	B2-STYI	PROPOSED	49.8	25-YEAR	5.00	5.25	0.30	24.1	7.82	19.34	5.67	18	2.0	773.15	774.15	HDPE
B2-B3	B3-STJB	PROPOSED	120.1	25-YEAR	0.00	0.25	0.00	0	2.17	29.43	2.61	18	4.7	774.15	779.73	HDPE
B3-B0.3-EX	B0.3-EX-STSWCB	EXISTING	37.1	25-YEAR	0.07	0.25	0.95	5	2.18	15.21	3.65	18	1.2	779.73	780.19	HDPE
B0.2-A1	A1-STWQU	PROPOSED	7.1	25-YEAR	0.00	0.00	0.00	0	2.34	10.23	2.62	18	0.6	770.93	770.97	HDPE
A1-A2	A2-STP O	PROPOSED	4.8	25-YEAR	0.00	0.00	0.00	0	2.33	8.81	3.72	18	0.4	770.97	770.99	HDPE
A6-A7	A7-STGI	PROPOSED	15.2	25-YEAR	0.31	0.31	0.92	5	2.63	13.57	4.9	18	1.0	773.61	773.76	HDPE
A3-A4	A4-STGI	PROPOSED	14.4	25-YEAR	0.13	0.52	0.90	5	4.27	13.94	5.72	18	1.0	772.10	772.25	HDPE
A4-A5	A5-STSWCB	PROPOSED	36.5	25-YEAR	0.39	0.39	0.90	5	3.24	13.55	3.77	18	1.0	772.25	772.61	HDPE

STORM STRUCTURES

NAME	TYPE	STATION	RIM	INV. (PIPE)	INV. (PIPE)
B3-STJB	JUNCTION BOX	3+70	784.53	779.73 (B3-B2)	779.73 (B2-B3)
B2-STYI	YARD INLET	2+50.07	779.73	774.15 (B2-B1)	774.15 (B1-B2)
B1-STJB	JUNCTION BOX	2+27	778.57	773.15 (B1-B2)	773.17 (B0.2-EX-B1)
B0.2-EX-STJB	JUNCTION BOX	1+40	777.74	770.93 (A2-A1)	770.93 (A1-B0.2-EX)
A7-STGI	HOOD & GRATE	1+58.13	778.28	773.61 (A7-A7)	773.78 (A6-A7)
A5-STPI	HOOD & GRATE	1+40.84	778.89	773.61 (A5-A7)	772.61 (A4-A5)
A5-STSWCB	CATCH BASIN	0+00.00	778.89	772.25 (A4-A5)	772.25 (A3-A4)
A4-STGI	HOOD & GRATE	0+38.53	778.82	772.25 (A4-A5)	772.25 (A3-A4)
A3-STPI	NULL STRUCTURE	0+50.00	777.67	772.10 (A3-A4)	772.10 (A3-A4)
A2-STPO	NULL STRUCTURE	1+11.92	777.48	770.99 (A1-A2)	770.99 (A1-A2)
A1-STWQU	WATER QUALITY	0+07.11	777.54	770.97 (A1-A2)	770.97 (B0.2-A1)



- GENERAL GRADING NOTES:**
- 1) ALL CRITICAL SPOT ELEVATIONS SHALL BE BOTTOM OF CURB ELEVATIONS UNLESS OTHERWISE SPECIFIED.
 - 2) NO SLOPES ARE TO BE STEEPER THAN 2:1.
 - 3) LAND DISTURBANCE TO BE STABILIZED WITH VEGETATION UPON COMPLETION OF DESIGN.
 - 4) ALL SITES TO HAVE PROPER PROTECTION UNLESS APPROVED PLANS INDICATE OTHERWISE.
 - 5) TOPOGRAPHIC INFORMATION FROM SURVEY BY LeCRAW ENGINEERING, INC., RECEIVED ON JULY 2, 2018.
 - 6) FLOOD PLAIN IS NOT PRESENT ON THIS SITE AS SHOWN ON THE FEMA FIRM MAP NUMBER 13151C0088D, OCTOBER 6, 2016.
 - 7) EROSION AND SEDIMENT CONTROL MEASURES ARE TO BE ACCOMPLISHED PRIOR TO ANY OTHER CONSTRUCTION ON THE SITE AND MAINTAINED UNTIL PERMANENT GROUND COVER IS ESTABLISHED.
 - 8) OWNER IS RESPONSIBLE FOR MAINTENANCE OF ALL STORM SEWER ON PRIVATE PROPERTY.
 - 9) THE OWNER IS RESPONSIBLE FOR OBTAINING ANY NECESSARY AGREEMENTS FROM ADJACENT PROPERTY OWNERS IN ORDER TO PERFORM THE REQUIRED OFFSITE WORK, INCLUDING, STORM DRAINAGE, CURB AND GUTTER AND PAVEMENT TIE-INS AND GRADING.
 - 10) VERTICAL DEPTH OF ALL DRY AND PRESSURIZED UTILITIES IS UNKNOWN. CONTRACTOR TO NOTIFY OWNER AND ENGINEER IMMEDIATELY IF ANY CONFLICTS ARE FOUND.
 - 11) SIDEWALKS ADJACENT TO BUILDING AND ALONG ADA ROUTES TO HAVE MAXIMUM CROSS SLOPE OF 2%.
- STRUCTURE TYPES:**
- STGI: STORM HOOD & GRATE INLET PER GDOT 1019A TYPE E. SEE DETAIL SHEET C-7.3
 - STJB: STORM JUNCTION BOX PER GDOT 1011A. SEE DETAIL SHEET C-7.5
 - STYI: STORM YARD INLET PER GDOT 1019A TYPE B. SEE DETAIL SHEET C-7.3
 - STSWCB: STORM CATCH BASIN PER GDOT 1033D. SEE DETAIL SHEET C-7.5
 - STWQU: STORM WATER QUALITY UNIT. SEE DETAIL ON SHEET C-7.6
 - STPO: STORM POND OUTLET. SEE DETAILS ON SHEET C-7.6
 - STPI: STORM POND INLET. SEE DETAILS ON SHEET C-7.6



LECRAW ENGINEERING
OFFICE OF ENGINEERING, INC.
3475 WILSON WAY SUITE 100
DULUTH, GA 30096
PHONE - 770.548.8100
FAX - 770.441.0288
WWW.LECRAWENGINEERING.COM
PEF06278

PROJECT
BOJANGLES' - STOCKBRIDGE
HUDSON BRIDGE ROAD & WILLIS DRIVE
LAND LOT 21, DISTRICT 6, PARCEL 032.01.012001
HENRY COUNTY, GA

DESIGN TEAM:
DRAWN BY: FDE
DESIGNED BY: FDE
REVIEWED BY: TKS

SCALE & NORTH ARROW:
SCALE: 1"=20'
NORTH ARROW

JOB #: 237002
DATE: JULY 30, 2018
DRAINAGE PLAN
C-4.1