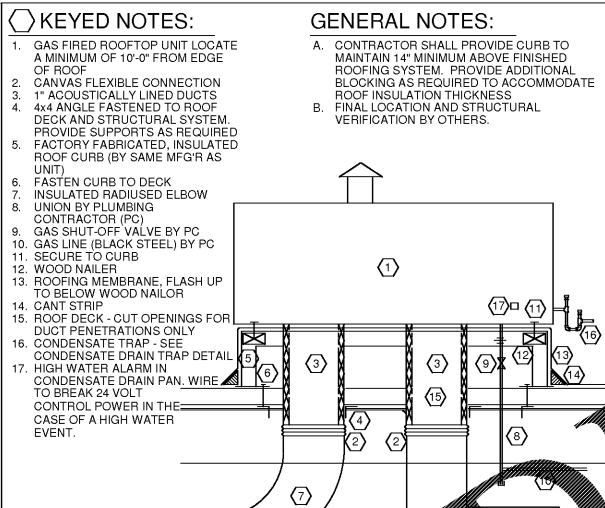
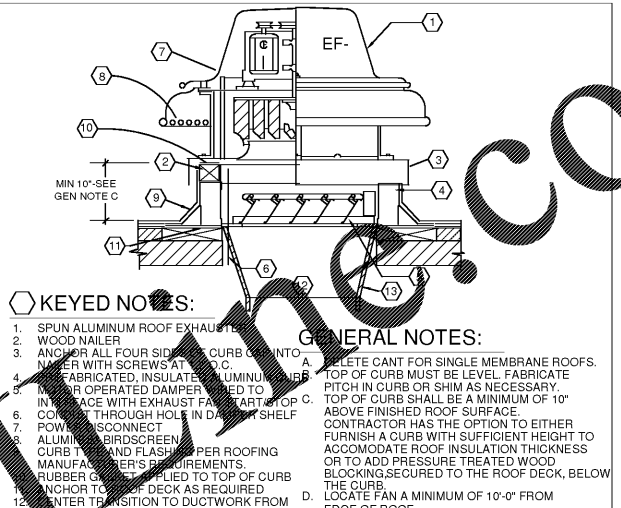


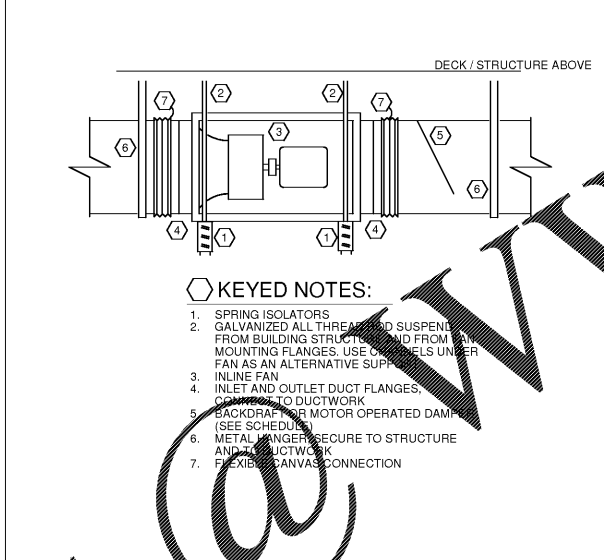
232113.23-05 - CONDENSATE DRAIN TRAP POSITIVE & NEGATIVE  
SCALE: NONE



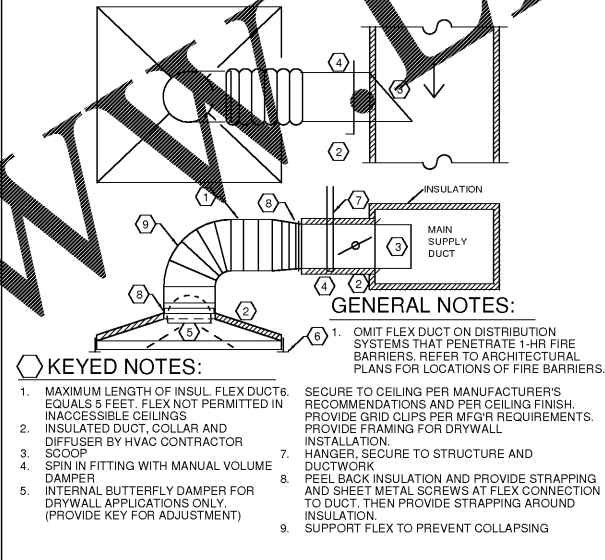
237433.00-04 - ROOF CURB & MOUNTING C  
SCALE: NONE



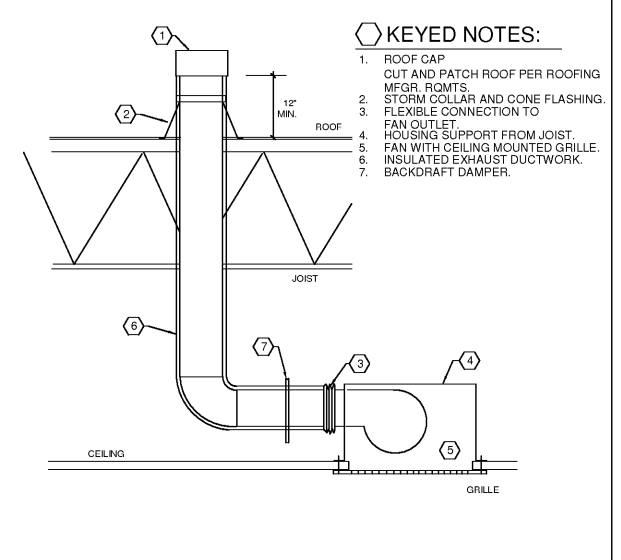
233423.00-10 - ROOF EXHAUSTER A  
SCALE: NONE



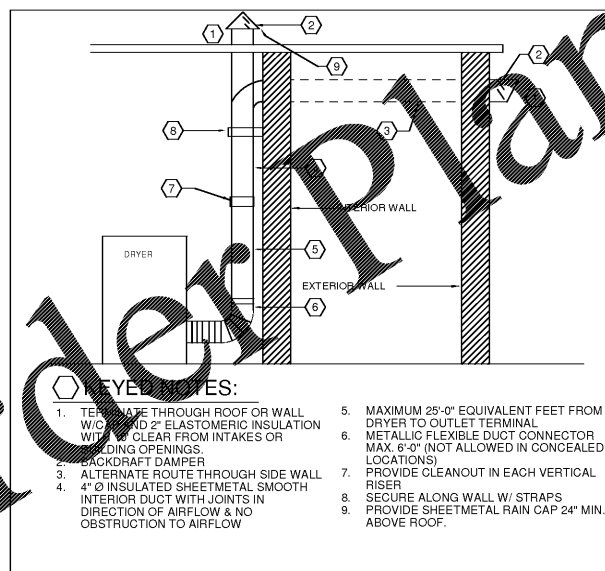
233423.00-19 - IN-LINE DIRECT DRIVE GENERAL EXHAUST FAN  
SCALE: NONE



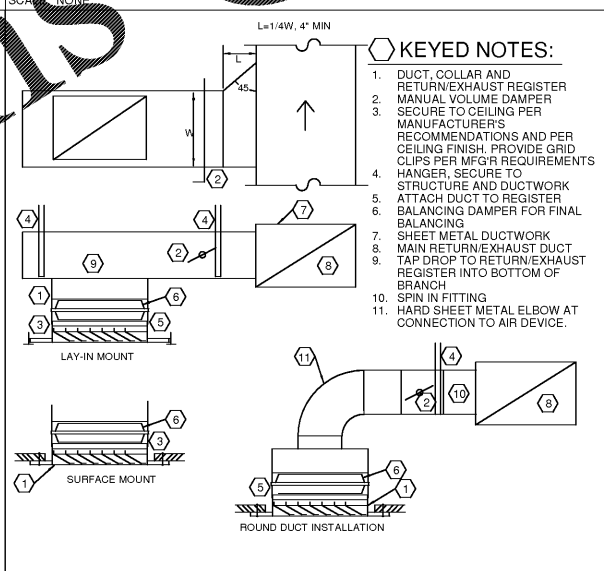
233713.00-04 - DIFFUSER INSTALLATION TYPICAL  
SCALE: NONE



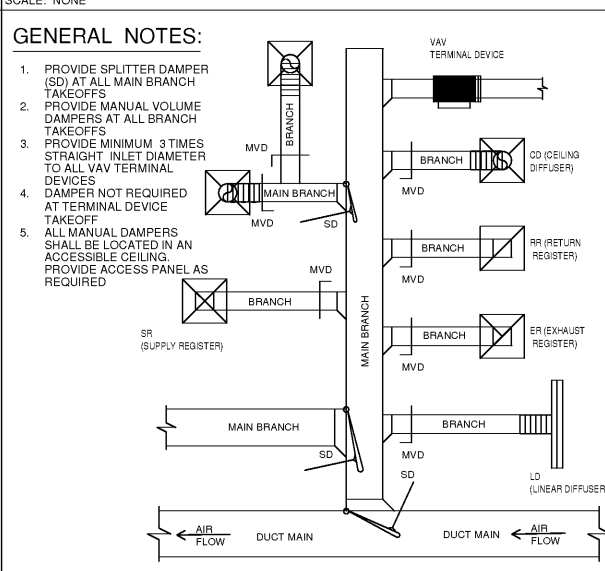
233423.00-15 - CEILING EXHAUST FAN  
SCALE: NONE



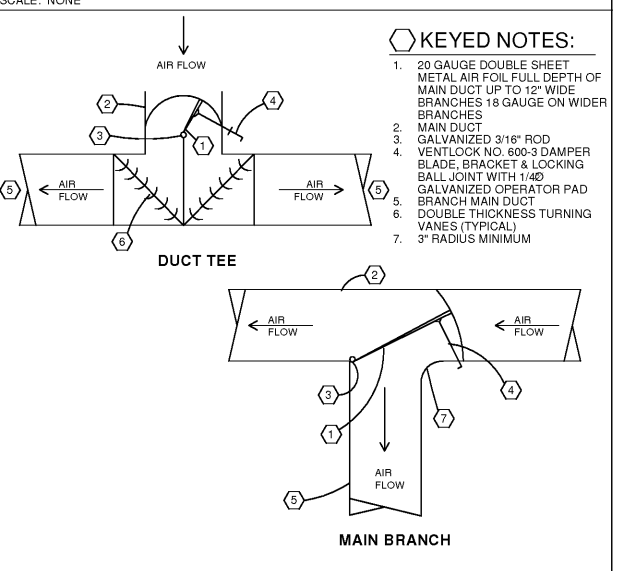
233500.00-01 - DRYER EXHAUST  
SCALE: NONE



233713.00-21 - RETURN/EXHAUST REGISTER INSTALLATION  
SCALE: NONE



233300.00-01 - MANUAL DAMPER DETAIL  
SCALE: NONE



233300.00-01 - DUCT TEE  
SCALE: NONE

ISSUE INFORMATION

1.10.2019

REVISIONS

FRCH / ARCHITECTURE, INC., P.C.

PROJECT INFORMATION

Marketplace Center  
MSS #5158  
1948 Old Fort Pkwy  
Murfreesboro, TN 37129

PROJECT #:

20994

SHEET INFORMATION

MECHANICAL DETAILS

DRAWN BY:

DMT

REVIEWED BY:

MCD

SCALE:

As Noted

AUTHORIZED FOR:

Bid/Permit/LL

M-2.0

Order Plans @ WWW.MYPLANSDOWNLOAD.COM