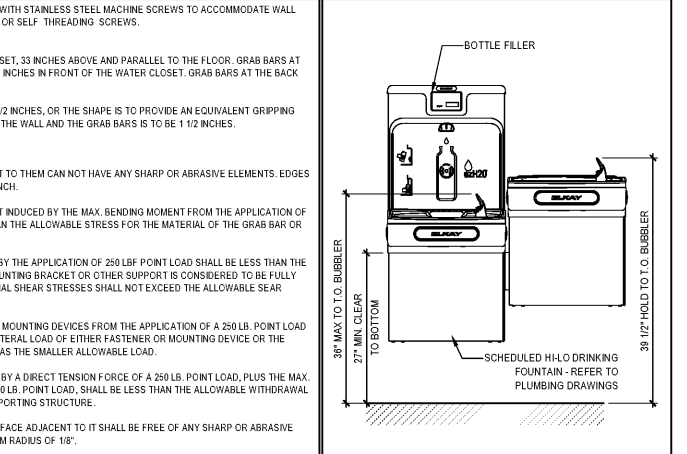
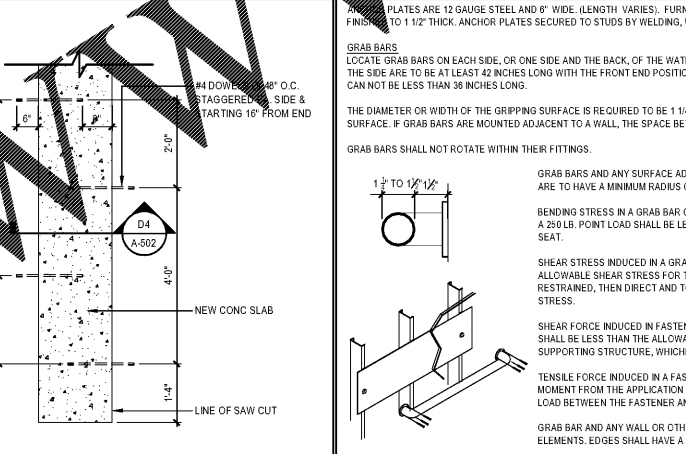
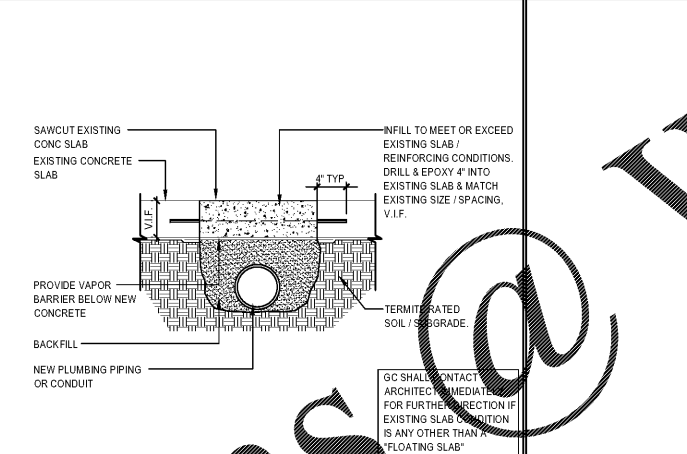
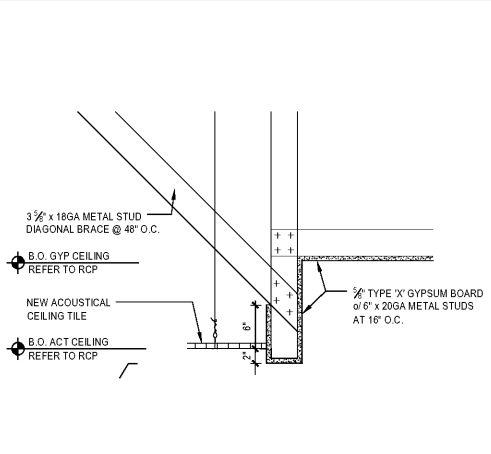


G1 A.C.T. Ceiling Detail
SCALE: N.T.S.

G8 Gypsum Board Ceiling Detail
SCALE: N.T.S.

G12 Lavatory Countertop Detail
SCALE: 1/2" = 1'-0"



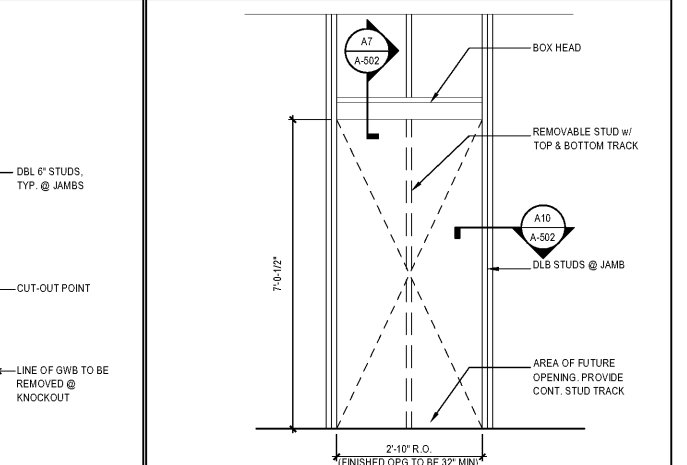
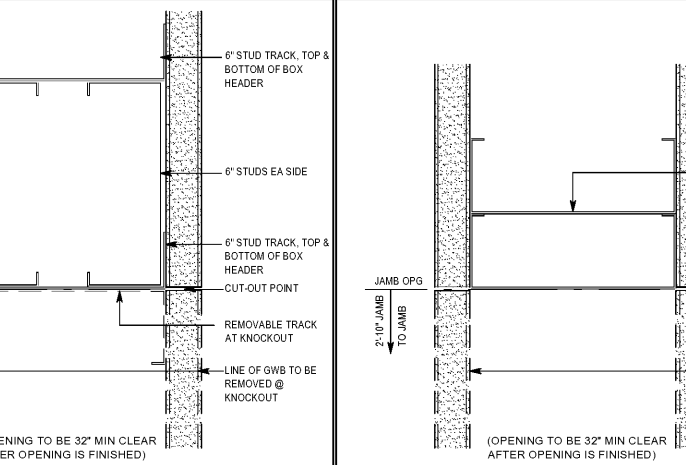
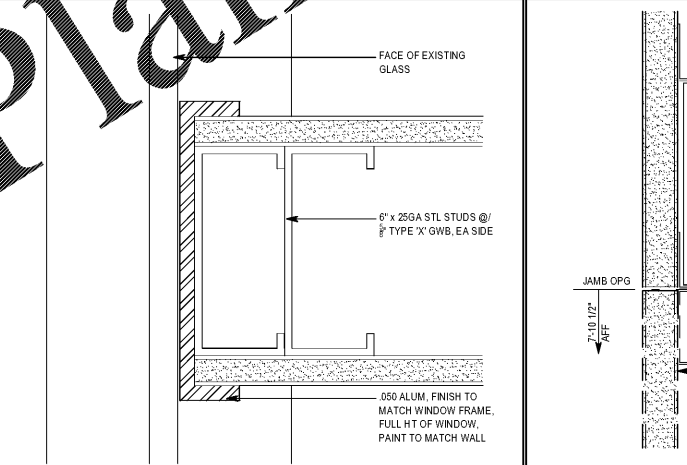
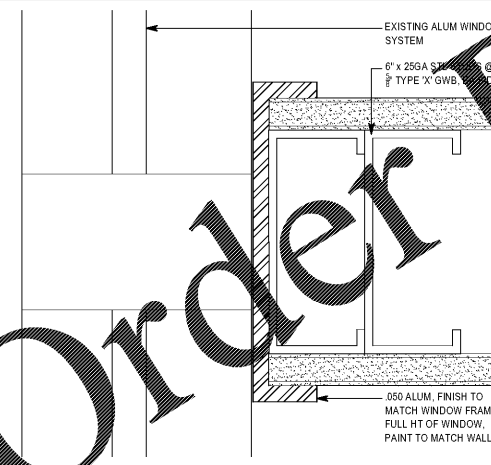
D1 Bulkhead Section
SCALE: 1" = 1'-0"

D4 Sawcut / Patch Detail
SCALE: 1" = 1'-0"

D7 Conc Slab Patch
SCALE: 1/2" = 1'-0"

D10 Grab Bar Detail
SCALE: 3/8" = 1'-0"

D-14 Hi/Lo Drinking Fountains
SCALE: 3/4" = 1'-0"



A1 Wall at Mullion Detail
SCALE: 1" = 1'-0"

A4 Wall at Glazing Detail
SCALE: 1" = 1'-0"

A7 Pass Thru Header Detail
SCALE: 1" = 1'-0"

A10 Pass Thru Jamb Detail
SCALE: 1" = 1'-0"

A13 Pass Thru Elevation
SCALE: 1/2" = 1'-0"

FRCH
DESIGN WORLDWIDE
384 Elm Street Suite 600
Cincinnati, OH 45202
513.251.0000
www.frch.com

MY SALON
Shops

ISSUE INFORMATION

REVISIONS

FRCH Nelco Architecture, Inc.

PROJECT INFORMATION

**Marketplace Center
MSS #5158**
1948 Old Fort Pkwy
Murfreesboro, TN 37129
PROJECT #:
035986.000

SHEET INFORMATION

Details

DRAWN BY:
KRP
REVIEWED BY:
SA / RR
SCALE:
As Noted
AUTHORIZED FOR:
Bid/Permit/LL

A-502

USER: RPCHLGEERS PLOTTED: 16/01/19 - 6:37 PM P:\035986\035986.dwg (C:\Users\RPCHLGEERS\OneDrive\Documents\19\035986\035986.dwg) LAY/OUT: A-502

This drawing, printed or otherwise, is the copyrighted property of Nelco Architecture, Inc. The drawing may not be used, reproduced or copied without the permission of Nelco Architecture, Inc.