

FIXTURE TYPE 'LT01'

Project Name: **Popeyes** Item Number: **LT-01**
 Project #: **6157** Item Description: **Communal Table Linear Pendant**
 Issue Date: Area Name:
 Revision(s):
 Item Quantity: **ea**

Manufacturer: **GOODSHOP MANUFACTURIES** Source: **GOODSHOP MANUFACTURIES**
 Address: **224 CENTRE ST SUITE 3E NEW YORK NY 10013- (212) 343-7024** Address: **224 CENTRE STREET SUITE 3E NEW YORK NY 10013- (212) 343-7024**
 Phone: Phone:
 Fax: Fax:
 Contact: **JUNE LEE** Contact: **JUNE LEE**
 E-mail: **info@goodshopnyc.com** E-mail: **june.lee@goodshopnyc.com**
 Web: **www.goodshopnyc.com** Web: **www.goodshopnyc.com**

Description: **Communal Table Linear Pendant**

Dimensions: Refer to DWGs
 Finish: Consult Fabricator
 Weight: Consult Fabricator
 Switch Type: Hard Wired
 Lamp Type: Refer to technical dwg for lamping information
 Lamp Quantity: 1
 UL Listing: UL Listed
 Shade/Diffuser Style: Refer to DWGs
 Shade/Diffuser Material: Refer to DWGs
 Shade/Diffuser Dimensions: Refer to technical drawing LT-01
 Mounting Instructions: Refer to technical drawing LT-01
 Dimmer: Yes
 Suspension Information: To have rigid stem meeting local codes
 Notes: Refer to DWGs for locations and quantities
 Fabricator to provide approximate weight to assist GC with secure installation

Required Item(s) for Designer Approval Prior to Fabrication: Prepared By: **WM**
 Seaming Diagram Strike-Off Finish Sample Cutting Shop Draw Prototype Flame Certificate

Instructions:
 • No Substitutions
 • All supplied products to be contract quality / suitable for commercial / hospitality use
 • Contractor to verify all quantities and sizes prior to ordering
 • Manufacturer to provide shop drawings and finish samples for designer approval
 • Manufacturer to provide prototype for designer approval
 • Manufacturer to provide cleaning and maintenance instructions for materials specified
 • Install in accordance with manufacturer's instructions and guidelines
 • Light fixture required to be UL listed

Page 1 210 Elizabeth Street Floor 3 New York, NY 10012 Phone: 212-343-7024 F: 212-343-1072 LT-01

FIXTURE TYPE 'LT02'

Project Name: **Popeyes** Item Number: **LT-02**
 Project #: **6157** Item Description: **Booth-Affixed Light**
 Issue Date: Area Name:
 Revision(s):
 Item Quantity: **ea**

Manufacturer: **GOODSHOP MANUFACTURIES** Source: **GOODSHOP MANUFACTURIES**
 Address: **224 CENTRE ST SUITE 3E NEW YORK NY 10013- (212) 343-7024** Address: **224 CENTRE STREET SUITE 3E NEW YORK NY 10013- (212) 343-7024**
 Phone: Phone:
 Fax: Fax:
 Contact: **JUNE LEE** Contact: **JUNE LEE**
 E-mail: **info@goodshopnyc.com** E-mail: **june.lee@goodshopnyc.com**
 Web: **www.goodshopnyc.com** Web: **www.goodshopnyc.com**

Description: **Arc Lights Affixed to BQ-04**

Dimensions: Refer to DWGs
 Finish: Consult Fabricator
 Weight: Consult Fabricator
 Switch Type: Hard Wired
 Lamp Type: Refer to technical dwg for lamping information
 Lamp Quantity: 2
 UL Listing: To be UL Listed for Dry Location LED
 Shade/Diffuser Style: Refer to DWGs
 Shade/Diffuser Material: Refer to DWGs
 Shade/Diffuser Dimensions: Refer to DWGs
 Mounting Instructions: Fabricator and millworker to coordinate mounting
 Dimmer: Yes
 Suspension Information: Refer to DWGs for locations and quantities
 Notes: Fabricator and millworker to coordinate mounting, to consult on need of ceiling-mounted supports

Required Item(s) for Designer Approval Prior to Fabrication: Prepared By: **WM**
 Seaming Diagram Strike-Off Finish Sample Cutting Shop Draw Prototype Flame Certificate

Instructions:
 • No Substitutions
 • All supplied products to be contract quality / suitable for commercial / hospitality use
 • Contractor to verify all quantities and sizes prior to ordering
 • Manufacturer to provide shop drawings and finish samples for designer approval
 • Manufacturer to provide prototype for designer approval
 • Manufacturer to provide cleaning and maintenance instructions for materials specified
 • Install in accordance with manufacturer's instructions and guidelines
 • Light fixture required to be UL listed

Page 1 210 Elizabeth Street Floor 3 New York, NY 10012 Phone: 212-343-7024 F: 212-343-1072 LT-02

FIXTURE TYPE 'LT03'

Project Name: **Popeyes** Item Number: **LT-03**
 Project #: **6157** Item Description: **Family Nook Pendant**
 Issue Date: Area Name:
 Revision(s):
 Item Quantity: **ea**

Manufacturer: **GOODSHOP MANUFACTURIES** Source: **GOODSHOP MANUFACTURIES**
 Address: **224 CENTRE ST SUITE 3E NEW YORK NY 10013- (212) 343-7024** Address: **224 CENTRE STREET SUITE 3E NEW YORK NY 10013- (212) 343-7024**
 Phone: Phone:
 Fax: Fax:
 Contact: **JUNE LEE** Contact: **JUNE LEE**
 E-mail: **info@goodshopnyc.com** E-mail: **june.lee@goodshopnyc.com**
 Web: **www.goodshopnyc.com** Web: **www.goodshopnyc.com**

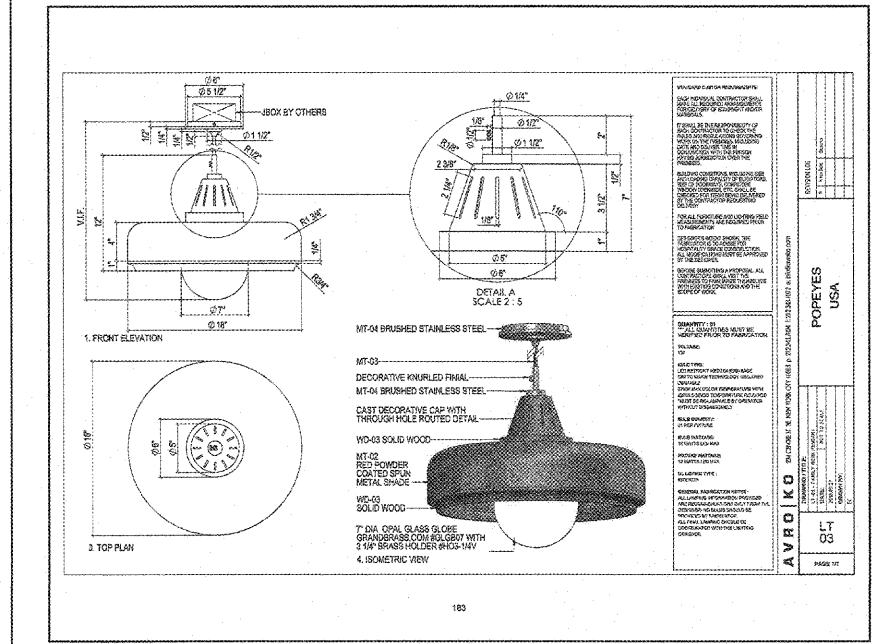
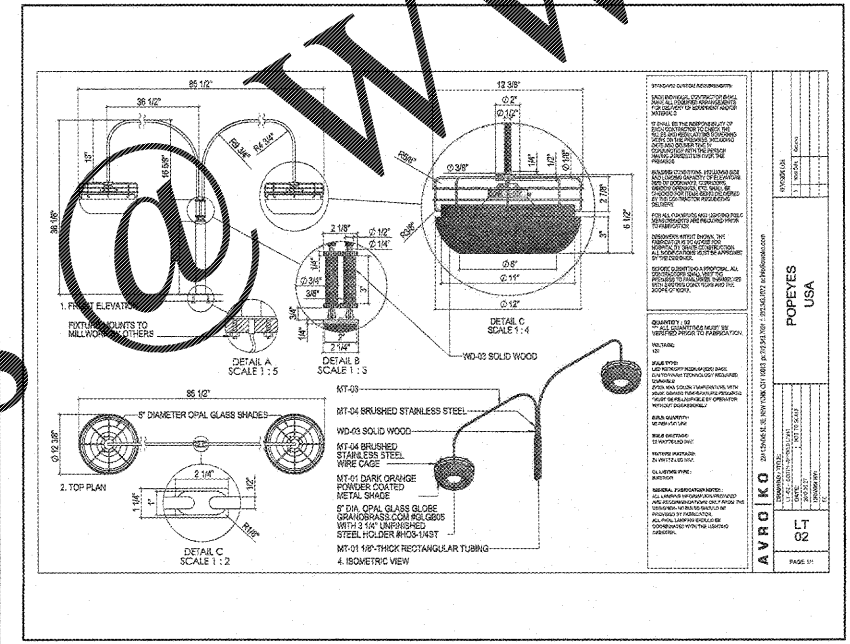
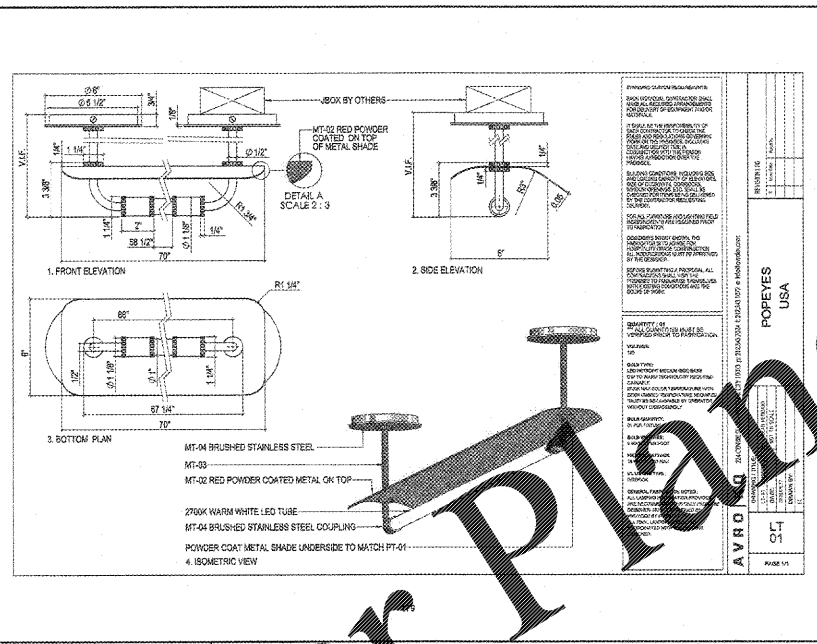
Description: **Family Nook Pendant**

Dimensions: Refer to DWGs
 Finish: Consult Fabricator
 Weight: Consult Fabricator
 Switch Type: Hard Wired
 Lamp Type: Refer to technical dwg for lamping information
 Lamp Quantity: 1
 UL Listing: To be UL listed
 Shade/Diffuser Style: Refer to DWGs
 Shade/Diffuser Material: Refer to DWGs
 Shade/Diffuser Dimensions: Refer to DWGs
 Mounting Instructions: Refer to Technical Drawing
 Dimmer: Yes
 Suspension Information: Refer to DWGs for locations and quantities
 Notes: Fabricator to provide approximate weight to assist GC with secure installation

Required Item(s) for Designer Approval Prior to Fabrication: Prepared By: **WM**
 Seaming Diagram Strike-Off Finish Sample Cutting Shop Draw Prototype Flame Certificate

Instructions:
 • No Substitutions
 • All supplied products to be contract quality / suitable for commercial / hospitality use
 • Contractor to verify all quantities and sizes prior to ordering
 • Manufacturer to provide shop drawings and finish samples for designer approval
 • Manufacturer to provide prototype for designer approval
 • Manufacturer to provide cleaning and maintenance instructions for materials specified
 • Install in accordance with manufacturer's instructions and guidelines
 • Light fixture required to be UL listed

Page 1 210 Elizabeth Street Floor 3 New York, NY 10012 Phone: 212-343-7024 F: 212-343-1072 LT-03



Order Plans

