

1 TB-06 COMMUNAL TABLE PLAN  
A16 1 1/2"=1'-0"

MT 03  
1/2" THK x 3"H BLACK STEEL  
EDGE

MT 03  
39"H STEEL BASE, BLACK.  
FTS: ORION BASE 39"H COUNTER  
HEIGHT  
SEMI-CUSTOM W/ HORIZONTAL  
STEEL ROD RUN THROUGH

WD 01-04  
CUSTOM WD TABLE W/ 4  
DIFFERENT STAINED WOOD.  
WOOD PLANK 3"W

HD 07  
ELECTRICAL OUTLET & USB PORT  
TO BE RECESSED ON METAL EDGE

MILLWORK DETAILS KEY NOTES

- 01 FINAL DISTRIBUTION OF WD-01-04 TO FOLLOW IMAGE PROVIDED.
- 02 DEPLOY IN THESE PERCENTAGES:  
WD-01: 10%  
WD-02: 40%  
WD-03: 40%  
WD-04: 10%
- 03 PROVIDE POWER TO TABLE W/ FLOOR JACK RECEPTACLE

MILLWORK DETAILS GENERAL NOTES

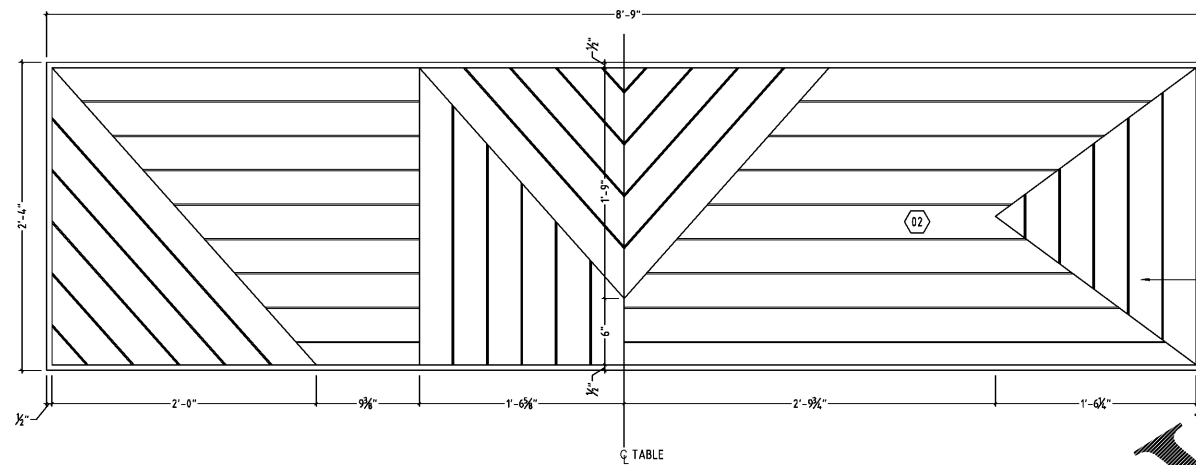
- 1. ALL TABLES TO BE BOLTED AND GROUND UNLESS OTHERWISE SPECIFIED.
- 2. ALL WD TABLE TOPS TO BE SEALED WITH A MATTE POLYURETHANE SEALER UNLESS OTHERWISE NOTED.

**POPEYES**  
572 BLUE LAGOON DRIVE  
MIAMI, FLORIDA 33128

THESE DRAWINGS ARE THE PROPERTY OF ARCHITRAVE GROUP PC AND SHALL NOT BE USED OR REPRODUCED WITHOUT THE EXPRESS WRITTEN PERMISSION OF ARCHITRAVE GROUP PC.

**Architrave GROUP PC**  
107 Broad Street • Suite 107  
Red Bank, New Jersey 07071  
Tel: 856.261.1100  
www.architrave.com

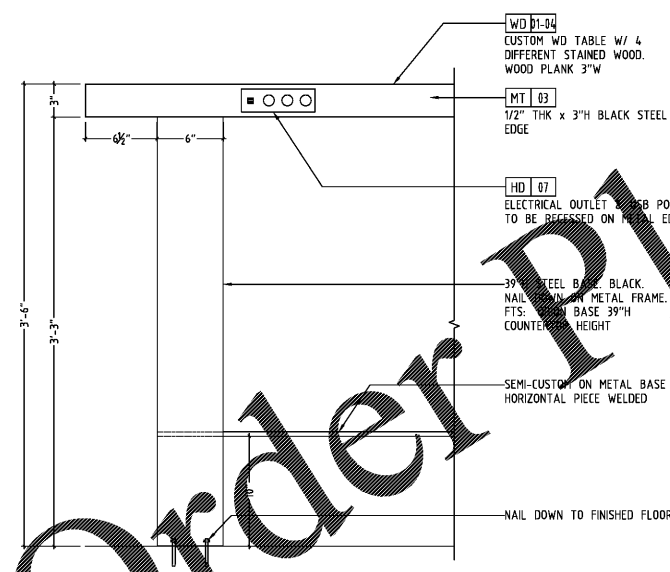
JOSE C. SANTOS, P.A., N.Y. 11845  
PA 188520 VA 07022  
LA 70113



2 TB-06 COMMUNAL TABLE PATTERN DETAIL  
A16 1 1/2"=1'-0"

MT 03  
1/2" THK x 3"H BLACK STEEL  
EDGE

WD 01-04  
CUSTOM WD TABLE W/ 4  
DIFFERENT STAINED WOOD.  
WOOD PLANK 3"W



3 TB-06 COMMUNAL TABLE FRONT ELEVATION  
A16 1 1/2"=1'-0"

WD 01-04  
CUSTOM WD TABLE W/ 4  
DIFFERENT STAINED WOOD.  
WOOD PLANK 3"W

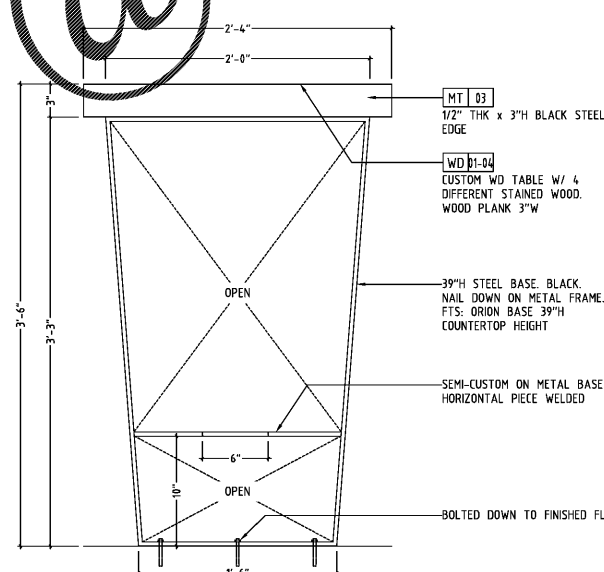
MT 03  
1/2" THK x 3"H BLACK STEEL  
EDGE

HD 07  
ELECTRICAL OUTLET & USB PORT  
TO BE RECESSED ON METAL EDGE

39" STEEL BASE, BLACK.  
NAIL DOWN ON METAL FRAME.  
FTS: ORION BASE 39"H  
COUNTERTOP HEIGHT

SEMI-CUSTOM ON METAL BASE  
HORIZONTAL PIECE WELDED

NAIL DOWN TO FINISHED FLOOR



4 TB-06 COMMUNAL TABLE SIDE ELEVATION  
A16 1 1/2"=1'-0"

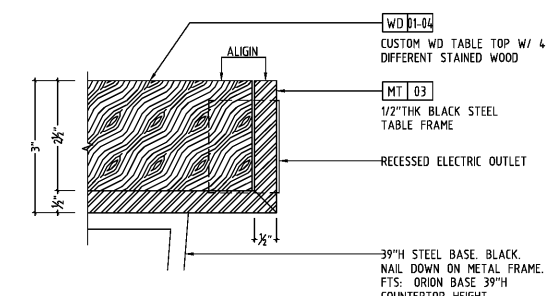
MT 03  
1/2" THK x 3"H BLACK STEEL  
EDGE

WD 01-04  
CUSTOM WD TABLE W/ 4  
DIFFERENT STAINED WOOD.  
WOOD PLANK 3"W

39" STEEL BASE, BLACK.  
NAIL DOWN ON METAL FRAME.  
FTS: ORION BASE 39"H  
COUNTERTOP HEIGHT

SEMI-CUSTOM ON METAL BASE  
HORIZONTAL PIECE WELDED

BOLTED DOWN TO FINISHED FLOOR



5 TB-06 COMMUNAL TABLE DETAIL  
A16 6"=1'-0"

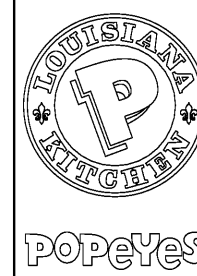
WD 01-04  
CUSTOM WD TABLE TOP W/ 4  
DIFFERENT STAINED WOOD

MT 03  
1/2" THK BLACK STEEL  
TABLE FRAME

RECESSED ELECTRIC OUTLET

39" STEEL BASE, BLACK.  
NAIL DOWN ON METAL FRAME.  
FTS: ORION BASE 39"H  
COUNTERTOP HEIGHT

**POPEYES**  
1009 BARATARIA BLVD.  
MARRERO, LOUISIANA  
LOUISIANA KITCHEN LK-PLUS DESIGN STANDARDS  
60 SEATS / DUAL-LINE PRODUCTION



REVISIONS:

GENERAL MILLWORK DETAILS

DATE: 12/19/18

**A16**

CHECKED: JS